



Standoffs

Caps and
Barrels

Screw
Covers

Panel
Mounts

Projecting
Systems

Suspended
Systems

Cable / Rod
Systems

Art Hanging
Systems

Sneeze Guard
Systems



America's #1 Choice For Standoffs!

We Ship Orders Same Day to 6:30 PM (EST) from **TAMPA**

mbs-standoffs.com | mbs123.com | 1 (813) 938-6025



We are pleased to announce the launch of our brand new website
mbs-signsupply.com



Digital Media



Vinyls & Application Tapes



Vehicle Wraps



Wrap Tools



Paper Materials



Frames & Displays



RLM Sign Lights



Standoff Systems



Sign Brackets



Substrates



Vinyl Racks



Banner Stands



Sign Stakes



Sneeze Guard Kits

Any questions? Get in touch with us.
contact@mbs-signsupply.com or Call us 1 (303) 935-8565



America's #1 Choice For Standoffs!

Daily Pickup and 1 or 2 Days Ground Shipping to Most of the States



Mbs-Standoffs & Mbs-Signsupply
Headquarters
TAMPA



Mbs-Standoffs & Mbs-Signsupply
CHICAGO



Mbs-Standoffs & Mbs-Signsupply
Milano
DENVER



Mbs-Standoffs & Mbs-Signsupply
LAS VEGAS



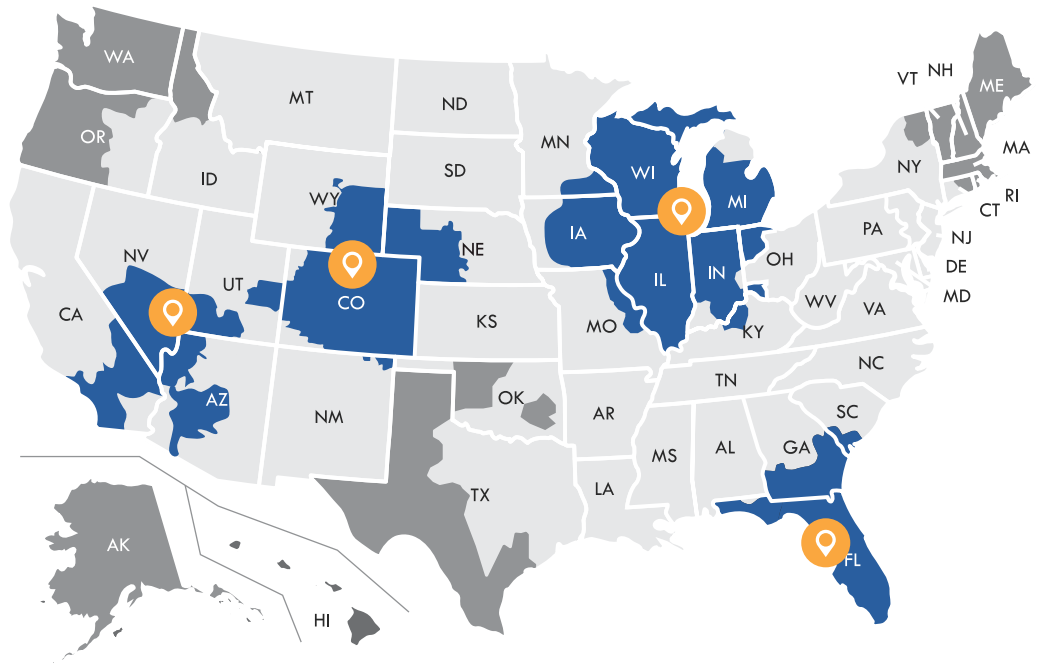
Monday–Thursday up to
6:30 PM (EST)
Friday up to 5:30 PM (EST)



Monday–Thursday up to
6:30 PM (EST)
Friday up to 5:30 PM (EST)



Shipping to Canada with FedEx,
UPS & USPS, and anywhere in
the world with DHL



Receive in 1 Day

Receive in 2 Days

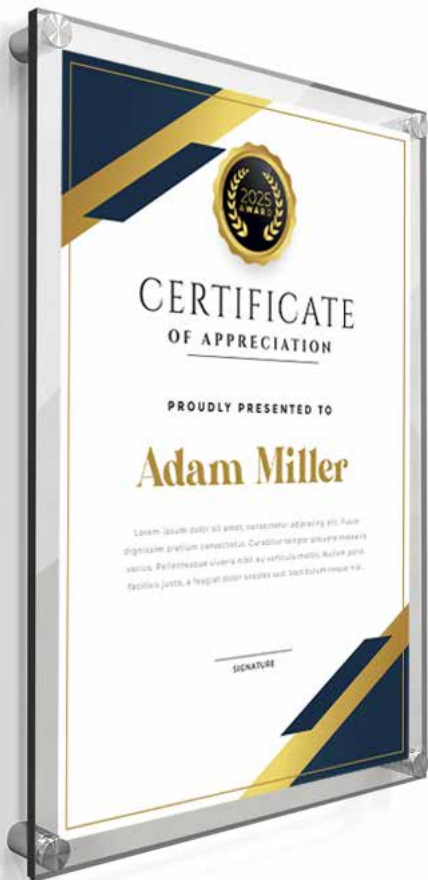
Receive in 3 Days

Daily Pickup

- We have a daily pick-up, so that all of our customers can take advantage of same day shipping.
- Blind Shipping & Drop Shipping Available Upon Request (Fees may apply)
- Don't forget we can always ship on your account.
- If you are local, you can pick up your order within 30 minutes of placing your order.

NEW! PRODUCTS

Over 100 New Products with different variations and combinations to choose from



**Acrylic Wall
Frame Kits**
Page 10



Standoffs
Page 3



**Glass
Spigots**
Page 29

Button-fix
Page 76



Sneeze Guards
Page 90

Contents

Standoffs

p3

Caps and Barrels

p39

Screw Cap Covers

p59

Panel Mounts

p67

Projecting Systems

p79

Suspended Systems

p95

Cable & Rod Systems

p109

Art Hanging Systems

p139

Call Us

1 (813) 938-6025

Email Us





















sales@mbs-standoffs.com

Visit Online

www.mbs-standoffs.com



Standoffs

Aluminum "All In One"	 p4	LED Standoffs	 p19
Color Standoffs	 p8	Desktop Standoffs	 p20
Acrylic Wall Frame Sets	 p10	Hardware for Standoffs	 p26
Stainless Steel "All In One"	 p11	Installation Tools for Standoffs	 p27
Luxury Standoffs	 p12	Glass Standoffs	 p28
Acrylic Standoffs	 p13	Spigot Clamps	 p29
Flat Head Standoffs	 p14	LED Sign Clamps	 p31
Hollow Standoffs	 p15	Non-Adjustable Edge Grip Standoffs	 p32
Special Satin Stainless Steel Standoffs	 p16	Adjustable Edge Grip Standoffs	 p34
Stainless Steel Square Standoffs	 p18	Aluminum Sign Clamp	 p36

Standoffs /

High Quality Aluminum “All In One”

Standoffs (6 Finishes)
– For Indoor and Outdoor Use

- Wall mounted standoffs
- Designed from high quality solid aluminum for indoor & outdoor use
- 6 different finishes
- 6 different diameters
- 5 different heights
- Protective washers included
- Mounting hardware not included
- 2 styles



Clear
Aluminum
(A)



Shiny
Aluminum
(AS)

Rounded or Flat Head



Black
Aluminum
(B)



Gold
Aluminum
(G)



Bronze
Aluminum
(AB)



Titanium
Aluminum
(T)



Inexpensive Aluminum Tamper Proof “All in One”

Tamper Proof Standoffs Engineered With a Reverse Thread – For Indoor and Outdoor Use

Technical Information			Aluminum Rounded Head					
Diameter	Standoff	Material Thickness Accepted						
"A"	"B"	"C"	Clear (A)	Shiny (AS)	Black (B)	Gold (G)	Anodize (AB)	Titanium (T)
1/2"	1/2"	0" to 1/4"	AL12-12A	AL12-12AS	AL12-12B	AL12-12G	AL12-12AB	AL12-12T
	3/4"	0" to 1/2"	AL12-25A	AL12-25AS	AL12-25B	AL12-25G	AL12-25AB	AL12-25T
	1"	0" to 1/2"	AL12-30A	AL12-30AS	AL12-30B	AL12-30G	AL12-30AB	AL12-30T
	1-3/4"	0" to 1/2"	AL12-50A	AL12-50AS	AL12-50B	AL12-50G	AL12-50AB	AL12-50T
3/8" Material Hole Diameter	2-1/2"	0" to 1/2"	AL12-70A	AL12-70AS	AL12-70B	AL12-70G	AL12-70AB	AL12-70T
	1/2"	0" to 1/4"	AL16-12A	AL16-12AS	AL16-12B	AL16-12G	AL16-12AB	AL16-12T
	3/4"	0" to 1/2"	AL16-25A	AL16-25AS	AL16-25B	AL16-25G	AL16-25AB	AL16-25T
	1"	0" to 1/2"	AL16-30A	AL16-30AS	AL16-30B	AL16-30G	AL16-30AB	AL16-30T
7/16" Material Hole Diameter	1-3/4"	0" to 1/2"	AL16-50A	AL16-50AS	AL16-50B	AL16-50G	AL16-50AB	AL16-50T
	2-1/2"	0" to 1/2"	AL16-70A	AL16-70AS	AL16-70B	AL16-70G	AL16-70AB	AL16-70T
	1/2"	0" to 1/4"	AL19-12A	AL19-12AS	AL19-12B	AL19-12G	AL19-12AB	AL19-12T
	3/4"	0" to 1/2"	AL19-25A	AL19-25AS	AL19-25B	AL19-25G	AL19-25AB	AL19-25T
7/16" Material Hole Diameter	1"	0" to 1/2"	AL19-30A	AL19-30AS	AL19-30B	AL19-30G	AL19-30AB	AL19-30T
	1-3/4"	0" to 1/2"	AL19-50A	AL19-50AS	AL19-50B	AL19-50G	AL19-50AB	AL19-50T
	2-1/2"	0" to 1/2"	AL19-70A	AL19-70AS	AL19-70B	AL19-70G	AL19-70AB	AL19-70T
	1/2"	0" to 1/4"	AL22-12A	AL22-12AS	AL22-12B	AL22-12G	AL22-12AB	AL22-12T
7/8"	3/4"	0" to 1/2"	AL22-25A	AL22-25AS	AL22-25B	AL22-25G	AL22-25AB	AL22-25T
	1"	0" to 1/2"	AL22-30A	AL22-30AS	AL22-30B	AL22-30G	AL22-30AB	AL22-30T
	1-3/4"	0" to 1/2"	AL22-50A	AL22-50AS	AL22-50B	AL22-50G	AL22-50AB	AL22-50T
	2-1/2"	0" to 1/2"	AL22-70A	AL22-70AS	AL22-70B	AL22-70G	AL22-70AB	AL22-70T
7/16" Material Hole Diameter	1/2"	0" to 1/4"	AL25-12A	AL25-12AS	AL25-12B	AL25-12G	AL25-12AB	AL25-12T
	3/4"	0" to 1/2"	AL25-25A	AL25-25AS	AL25-25B	AL25-25G	AL25-25AB	AL25-25T
	1"	0" to 1/2"	AL25-30A	AL25-30AS	AL25-30B	AL25-30G	AL25-30AB	AL25-30T
	1-3/4"	0" to 1/2"	AL25-50A	AL25-50AS	AL25-50B	AL25-50G	AL25-50AB	AL25-50T
1"	2-1/2"	0" to 1/2"	AL25-70A	AL25-70AS	AL25-70B	AL25-70G	AL25-70AB	AL25-70T
	1/2"	0" to 1/4"	AL30-12A	AL30-12AS	AL30-12B	AL30-12G	AL30-12AB	AL30-12T
	3/4"	0" to 1/2"	AL30-25A	AL30-25AS	AL30-25B	AL30-25G	AL30-25AB	AL30-25T
	1"	0" to 1/2"	AL30-30A	AL30-30AS	AL30-30B	AL30-30G	AL30-30AB	AL30-30T
7/16" Material Hole Diameter	1-3/4"	0" to 1/2"	AL30-50A	AL30-50AS	AL30-50B	AL30-50G	AL30-50AB	AL30-50T
	2-1/2"	0" to 1/2"	AL30-70A	AL30-70AS	AL30-70B	AL30-70G	AL30-70AB	AL30-70T



1/2" & 5/8" Diameter: Use for drywall: screw 2208 and anchor ANC5, ANC5Z. Use for concrete: screw 2208 and anchor ANC1
 3/4" to 1-1/4" Diameter: Use for drywall: screw 2216 and anchor ANC6, ANC6Z. Use for concrete: screw 2216 and anchor ANC2

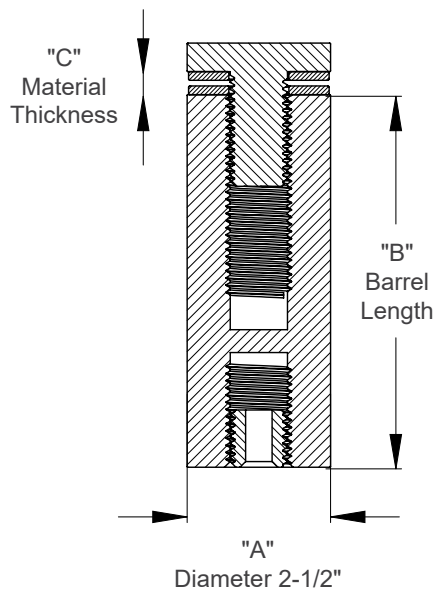
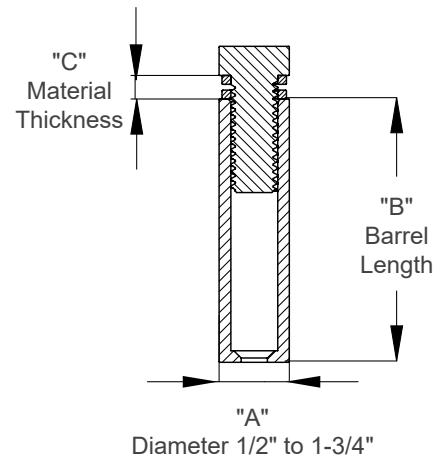


TAMPER
PROOF

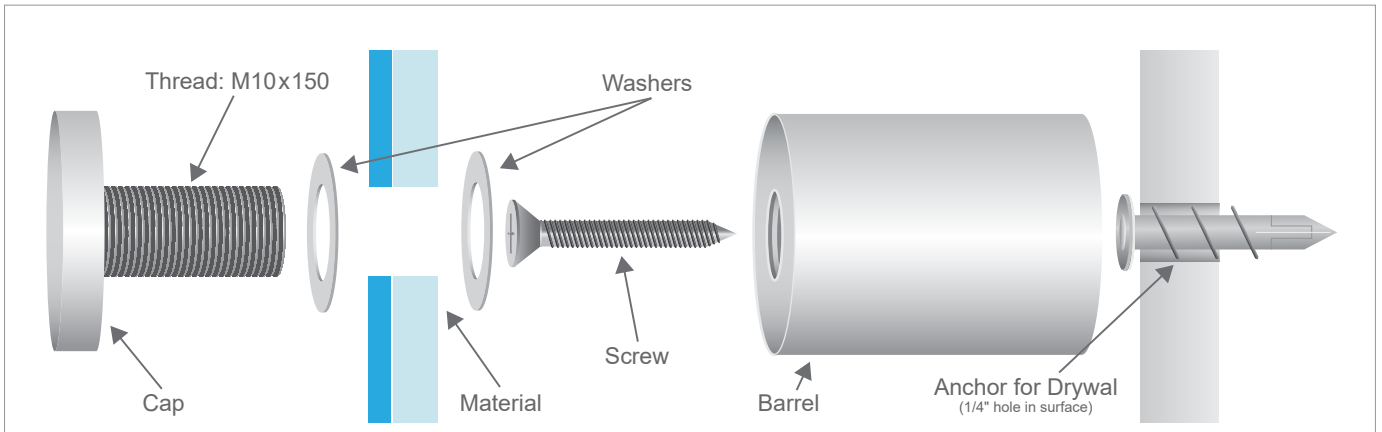


Tamper Proof Aluminum Flat Head					
Clear (A)	Shiny (AS)	Black (B)	Gold (G)	Bronze (AB)	Titanium (T)
FAH12-12A	FAH12-12AS	FAH12-12B	FAH12-12G	FAH12-12AB	FAH12-12T
FAH12-25A	FAH12-25AS	FAH12-25B	FAH12-25G	FAH12-25AB	FAH12-25T
FAH12-30A	FAH12-30AS	FAH12-30B	FAH12-30G	FAH12-30AB	FAH12-30T
FAH12-50A	FAH12-50AS	FAH12-50B	FAH12-50G	FAH12-50AB	FAH12-50T
FAH12-70A	FAH12-70AS	FAH12-70B	FAH12-70G	FAH12-70AB	FAH12-70T
FAH16-12A	FAH16-12AS	FAH16-12B	FAH16-12G	FAH16-12AB	FAH16-12T
FAH16-25A	FAH16-25AS	FAH16-25B	FAH16-25G	FAH16-25AB	FAH16-25T
FAH16-30A	FAH16-30AS	FAH16-30B	FAH16-30G	FAH16-30AB	FAH16-30T
FAH16-50A	FAH16-50AS	FAH16-50B	FAH16-50G	FAH16-50AB	FAH16-50T
FAH16-70A	FAH16-70AS	FAH16-70B	FAH16-70G	FAH16-70AB	FAH16-70T
FAH19-12A	FAH19-12AS	FAH19-12B	FAH19-12G	FAH19-12AB	FAH19-12T
FAH19-25A	FAH19-25AS	FAH19-25B	FAH19-25G	FAH19-25AB	FAH19-25T
FAH19-30A	FAH19-30AS	FAH19-30B	FAH19-30G	FAH19-30AB	FAH19-30T
FAH19-50A	FAH19-50AS	FAH19-50B	FAH19-50G	FAH19-50AB	FAH19-50T
FAH19-70A	FAH19-70AS	FAH19-70B	FAH19-70G	FAH19-70AB	FAH19-70T
FAH22-12A	FAH22-12AS	FAH22-12B	FAH22-12G	FAH22-12AB	FAH22-12T
FAH22-25A	FAH22-25AS	FAH22-25B	FAH22-25G	FAH22-25AB	FAH22-25T
FAH22-30A	FAH22-30AS	FAH22-30B	FAH22-30G	FAH22-30AB	FAH22-30T
FAH22-50A	FAH22-50AS	FAH22-50B	FAH22-50G	FAH22-50AB	FAH22-50T
FAH22-70A	FAH22-70AS	FAH22-70B	FAH22-70G	FAH22-70AB	FAH22-70T
FAH25-12A	FAH25-12AS	FAH25-12B	FAH25-12G	FAH25-12AB	FAH25-12T
FAH25-25A	FAH25-25AS	FAH25-25B	FAH25-25G	FAH25-25AB	FAH25-25T
FAH25-30A	FAH25-30AS	FAH25-30B	FAH25-30G	FAH25-30AB	FAH25-30T
FAH25-50A	FAH25-50AS	FAH25-50B	FAH25-50G	FAH25-50AB	FAH25-50T
FAH25-70A	FAH25-70AS	FAH25-70B	FAH25-70G	FAH25-70AB	FAH25-70T
FAH30-12A	FAH30-12AS	FAH30-12B	FAH30-12G	FAH30-12AB	FAH30-12T
FAH30-25A	FAH30-25AS	FAH30-25B	FAH30-25G	FAH30-25AB	FAH30-25T
FAH30-30A	FAH30-30AS	FAH30-30B	FAH30-30G	FAH30-30AB	FAH30-30T
FAH30-50A	FAH30-50AS	FAH30-50B	FAH30-50G	FAH30-50AB	FAH30-50T
FAH30-70A	FAH30-70AS	FAH30-70B	FAH30-70G	FAH30-70AB	FAH30-70T

Technical Information



Assembly Instructions







- ① Use the holes in your material as a template to mark hole location
- ② Pre-drill 1/4" holes in your surface, then insert anchors into the holes and tap flush to mark hole location
- ③ Drive your combination screws into the anchors, then tighten the barrels against the surface
- ④ Screw threaded studs into your barrels, then place your panel into position and thread caps on until snug

i We recommend a 3/8" material hole size for all 1/2" diameter standoffs
 We recommend a 7/16" material hole size for all 5/8" and bigger diameter standoffs

▶ ◀ Open fold-out for more information

Tools for Standoffs

Description	Item #
 <p>68 piece Tool Set</p>	SETBIT
 <p>Screw Driver for Hex 1/4" Bit with Ergonomic Rubber Handle</p>	61300
 <p>Mini Stubby Handle for Hex 1/4" Bit</p>	61200
 <p>1/4" Magnetic Bit Holder</p>	MBH1/4

Reseller/ Distributor Program

MBS is always looking for new distributors.

Contact us to get more information on becoming a distributor.

1 (813) 938-6025 • sales@mbs-standoffs.com





We are pleased to announce the launch of our brand new website

mbs-signsupply.com



Digital Media



Vinyls & Application Tapes



Vehicle Wraps



Wrap Tools



Paper Materials



Frames & Displays



RLM Sign Lights



Standoff Systems



Sign Brackets



Substrates



Vinyl Racks



Banner Stands



Sign Stakes



Sneeze Guard Kits

Any questions? Get in touch with us.

contact@mbs-signsupply.com or Call us 1 (303) 935-8565



AMERICA'S # 1 CHOICE FOR STANDOFFS

Affordable Colored Aluminum “All In One”

12 Finishes – For Indoor and Outdoor Use

- Wall mounted standoffs
- Designed from high quality solid aluminum for indoor & outdoor use
- 12 different finishes
- 6 different diameters
- 5 different heights
- Protective washers (sold separately)
- Mounting hardware not included

#1
BEST SELLER



12 Different Finishes



Black
(BK)



Blue
(BL)



Champagne
(BR)



Copper
(CP)



Gold
(GD)



Green
(GN)



Purple
(PL)



Cherry Red
(RD)



Rosy Pink
(RP)



Steel Gray
(SG)









Silver
(SL)



White Coated
(WH)

Affordable Colored Aluminum "All In One"







12 Finishes – For Indoor and Outdoor Use

Technical Information			High Quality Aluminum "All In One"					
Diameter	Standoff	Material Thickness Accepted						
"A"	"B"	"C"	Black (BK)	Blue (BL)	Champagne (BR)	Copper (CP)	Gold (GD)	Green (GN)
1/2"	1/2"	0" to 1/4"	AS12-12BK	AS12-12BL	AS12-12BR	AS12-12CP	AS12-12GD	AS12-12GN
	3/4"	1/8" to 1/2"	AS12-25BK	AS12-25BL	AS12-25BR	AS12-25CP	AS12-25GD	AS12-25GN
	1"	0" to 1/2"	AS12-30BK	AS12-30BL	AS12-30BR	AS12-30CP	AS12-30GD	AS12-30GN
	1-1/2"	0" to 1/2"	AS12-38BK	AS12-38BL	AS12-38BR	AS12-38CP	AS12-38GD	AS12-38GN
3/8" Material Hole Diameter	2"	0" to 1/2"	AS12-50BK	AS12-50BL	AS12-50BR	AS12-50CP	AS12-50GD	AS12-50GN
	1/2"	0" to 1/4"	AS16-12BK	AS16-12BL	AS16-12BR	AS16-12CP	AS16-12GD	AS16-12GN
	3/4"	1/8" to 1/2"	AS16-25BK	AS16-25BL	AS16-25BR	AS16-25CP	AS16-25GD	AS16-25GN
	1"	0" to 1/2"	AS16-30BK	AS16-30BL	AS16-30BR	AS16-30CP	AS16-30GD	AS16-30GN
7/16" Material Hole Diameter	1-1/2"	0" to 1/2"	AS16-38BK	AS16-38BL	AS16-38BR	AS16-38CP	AS16-38GD	AS16-38GN
	2"	0" to 1/2"	AS16-50BK	AS16-50BL	AS16-50BR	AS16-50CP	AS16-50GD	AS16-50GN
	1/2"	0" to 1/4"	AS19-12BK	AS19-12BL	AS19-12BR	AS19-12CP	AS19-12GD	AS19-12GN
	3/4"	1/8" to 1/2"	AS19-25BK	AS19-25BL	AS19-25BR	AS19-25CP	AS19-25GD	AS19-25GN
7/16" Material Hole Diameter	1"	0" to 1/2"	AS19-30BK	AS19-30BL	AS19-30BR	AS19-30CP	AS19-30GD	AS19-30GN
	1-1/2"	0" to 1/2"	AS19-38BK	AS19-38BL	AS19-38BR	AS19-38CP	AS19-38GD	AS19-38GN
	2"	0" to 1/2"	AS19-50BK	AS19-50BL	AS19-50BR	AS19-50CP	AS19-50GD	AS19-50GN
	1/2"	0" to 1/4"	AS25-12BK	AS25-12BL	AS25-12BR	AS25-12CP	AS25-12GD	AS25-12GN
1"	3/4"	1/8" to 1/2"	AS25-25BK	AS25-25BL	AS25-25BR	AS25-25CP	AS25-25GD	AS25-25GN
	1"	0" to 1/2"	AS25-30BK	AS25-30BL	AS25-30BR	AS25-30CP	AS25-30GD	AS25-30GN
	1-1/2"	0" to 1/2"	AS25-38BK	AS25-38BL	AS25-38BR	AS25-38CP	AS25-38GD	AS25-38GN
	2"	0" to 1/2"	AS25-50BK	AS25-50BL	AS25-50BR	AS25-50CP	AS25-50GD	AS25-50GN
7/16" Material Hole Diameter	1/2"	0" to 1/4"	AS30-12BK	AS30-12BL	AS30-12BR	AS30-12CP	AS30-12GD	AS30-12GN
	3/4"	1/8" to 1/2"	AS30-25BK	AS30-25BL	AS30-25BR	AS30-25CP	AS30-25GD	AS30-25GN
	1"	0" to 1/2"	AS30-30BK	AS30-30BL	AS30-30BR	AS30-30CP	AS30-30GD	AS30-30GN
	1-1/2"	0" to 1/2"	AS30-38BK	AS30-38BL	AS30-38BR	AS30-38CP	AS30-38GD	AS30-38GN
7/16" Material Hole Diameter	2"	0" to 1/2"	AS30-50BK	AS30-50BL	AS30-50BR	AS30-50CP	AS30-50GD	AS30-50GN
	1/2"	0" to 1/4"	AS50-12BK	AS50-12BL	AS50-12BR	AS50-12CP	AS50-12GD	AS50-12GN
	3/4"	1/8" to 1/2"	AS50-25BK	AS50-25BL	AS50-25BR	AS50-25CP	AS50-25GD	AS50-25GN
	1"	0" to 1/2"	AS50-30BK	AS50-30BL	AS50-30BR	AS50-30CP	AS50-30GD	AS50-30GN
7/16" Material Hole Diameter	1-1/2"	0" to 1/2"	AS50-38BK	AS50-38BL	AS50-38BR	AS50-38CP	AS50-38GD	AS50-38GN
	2"	0" to 1/2"	AS50-50BK	AS50-50BL	AS50-50BR	AS50-50CP	AS50-50GD	AS50-50GN

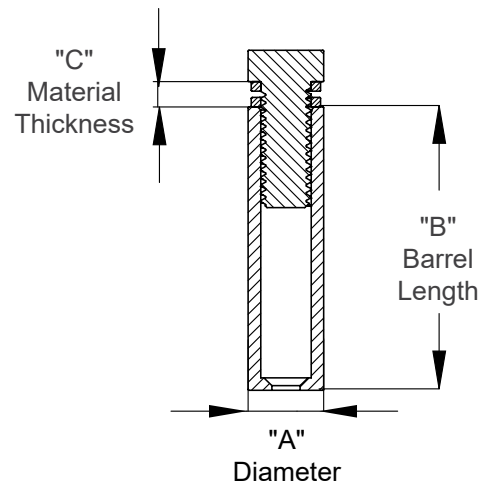
1/2" & 5/8" Diameter: Use for drywall: screw 2208 and anchor ANC5, ANC5Z. Use for concrete: screw 2208 and anchor ANC1
 3/4" to 2" Diameter: Use for drywall: screw 2216 and anchor ANC6, ANC6Z. Use for concrete: screw 2216 and anchor ANC2





					
Purple (PL)	Cherry Red (RD)	Rosy Pink (RP)	Steel Gray (SG)	Silver (SL)	White Coated (WH)
AS12-12PL	AS12-12RD	AS12-12RP	AS12-12SG	AS12-12SL	AS12-12WH
AS12-25PL	AS12-25RD	AS12-25RP	AS12-25SG	AS12-25SL	AS12-25WH
AS12-30PL	AS12-30RD	AS12-30RP	AS12-30SG	AS12-30SL	AS12-30WH
AS12-38PL	AS12-38RD	AS12-38RP	AS12-38SG	AS12-38SL	AS12-38WH
AS12-50PL	AS16-12RD	AS12-50RP	AS12-50SG	AS12-50SL	AS12-50WH
AS16-12PL	AS16-12RD	AS16-12RP	AS16-12SG	AS16-12SL	AS16-12WH
AS16-25PL	AS16-25RD	AS16-25RP	AS16-25SG	AS16-25SL	AS16-25WH
AS16-30PL	AS16-30RD	AS16-30RP	AS16-30SG	AS16-30SL	AS16-30WH
AS16-38PL	AS16-38RD	AS16-38RP	AS16-38SG	AS16-38SL	AS16-38WH
AS16-50PL	AS16-50RD	AS16-50RP	AS16-50SG	AS16-50SL	AS16-50WH
AS19-12PL	AS19-12RD	AS19-12RP	AS19-12SG	AS19-12SL	AS19-12WH
AS19-25PL	AS19-25RD	AS19-25RP	AS19-25SG	AS19-25SL	AS19-25WH
AS19-30PL	AS19-30RD	AS19-30RP	AS19-30SG	AS19-30SL	AS19-30WH
AS19-38PL	AS19-38RD	AS19-38RP	AS19-38SG	AS19-38SL	AS19-38WH
AS19-50PL	AS19-50RD	AS19-50RP	AS19-50SG	AS19-50SL	AS19-50WH
AS25-12PL	AS25-12RD	AS25-12RP	AS25-12SG	AS25-12SL	AS25-12WH
AS25-25PL	AS25-25RD	AS25-25RP	AS25-25SG	AS25-25SL	AS25-25WH
AS25-30PL	AS25-30RD	AS25-30RP	AS25-30SG	AS25-30SL	AS25-30WH
AS25-38PL	AS25-38RD	AS25-38RP	AS25-38SG	AS25-38SL	AS25-38WH
AS25-50PL	AS25-50RD	AS25-50RP	AS25-50SG	AS25-50SL	AS25-50WH
AS30-12PL	AS30-12RD	AS30-12RP	AS30-12SG	AS30-12SL	AS30-12WH
AS30-25PL	AS30-25RD	AS30-25RP	AS30-25SG	AS30-25SL	AS30-25WH
AS30-30PL	AS30-30RD	AS30-30RP	AS30-30SG	AS30-30SL	AS30-30WH
AS30-38PL	AS30-38RD	AS30-38RP	AS30-38SG	AS30-38SL	AS30-38WH
AS30-50PL	AS30-50RD	AS30-50RP	AS30-50SG	AS30-50SL	AS30-50WH
AS50-12PL	AS50-12RD	AS50-12RP	AS50-12SG	AS50-12SL	AS50-12WH
AS50-25PL	AS50-25RD	AS50-25RP	AS50-25SG	AS50-25SL	AS50-25WH
AS50-30PL	AS50-30RD	AS50-30RP	AS50-30SG	AS50-30SL	AS50-30WH
AS50-38PL	AS50-38RD	AS50-38RP	AS50-38SG	AS50-38SL	AS50-38WH
AS50-50PL	AS50-50RD	AS50-50RP	AS50-50SG	AS50-50SL	AS50-50WH

Technical Information



STILL ON THE FENCE!
Order your new sample box today!

NEW PRODUCT



Sample box
Item #: ASSAMPBOX

Acrylic Wall Frame Sets with Standoffs

Choose from:
7 different frame sizes and
combine them with any color
choice of standoffs

Kit Includes

- 1 x Quality Paper Insert
- 2 x Acrylic Wall Frames
- 4 x Standoffs
- 4 x Anchors
- 4 x Screws



Create!
your own
Stylish Acrylic
Wall Frames Sets



1. Pick a Frame Size

Frame Size	Insert	Thickness	Item #
7 1/2" x 9 1/2"	5" x 7"	1/8"	WAC0507-C
11" x 13 1/2"	8 1/2" x 11"	1/8"	WAC8511-C
13 1/2" x 16 1/2"	11" x 14"	1/8"	WAC1114-C
13 1/2" x 19 1/2"	11" x 17"	1/8"	WAC1117-C
19 3/4" x 26"	18" x 24"	3/16"	WAC1824-C
23 3/4" x 29 3/4"	22" x 28"	3/16"	WAC2228-C
27" x 39"	24" x 36"	3/16"	WAC2436-C

2. Choose Color of Standoffs

Diameter	Color	Item #
5/8"	Black Anodized	AS12-25BK
5/8"	Champagne Anodized	AS12-25BR
5/8"	Gold Anodized	AS12-25GD
5/8"	Silver Anodized	AS12-25SL
5/8"	Polished Stainless Steel	SBLP12-25
5/8"	Brushed Stainless Steel	SBLS12-25

Inexpensive Stainless Steel "All In One"

2 Finishes – 3 Different Stainless Steel Grades

- Wall mounted standoffs
- Designed from high quality solid stainless steel for indoor & outdoor use
- Satin brushed and polished
- 6 different diameters
- 5 different heights
- Protective washers included
- Mounting hardware not included
- Requires (2.0mm) allen key

#1
BEST SELLER



Satin Brushed



Polished

201 Stainless Steel Grade

Indoor Use Only
Without Locking
Screw



304 Stainless Steel Grade

Indoor & Outdoor Use
With Locking
Screw



316 Marine Stainless Steel Grade

Indoor & Outdoor Use
With Locking
Screw



Thick Material?

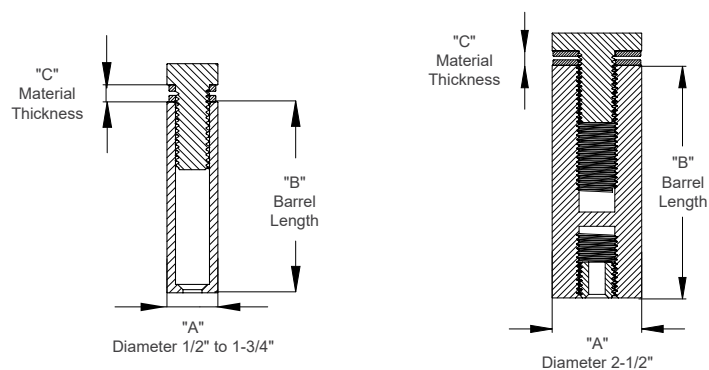
Extended head allows for
3/4" to 1"



Available in:
3/4", 7/8", 1" & 1-1/4"
diameters









Technical Information



Inexpensive Stainless Steel "All In One"

2 Finishes – 3 Different Grades of Stainless Steel: 201 For Indoor Use, 304 & 316 Marine Grade For Indoor and Outdoor Use

Technical Information			201 Grade Without Locking Screw		304 Grade With Locking Screw		316 Marine Grade With Locking Screw		
Diameter	Standoff	Material Thickness Accepted							
"A"	"B"	"C"	Brushed	Polished	Brushed	Polished	Brushed	Polished	
1/2"	1/2"	0" to 1/4"	SBLS12-12	SBLP12-12	LBSL12-12	LBLP12-12	316LBSL12-12	316LBLP12-12*	
	3/4"	0" to 1/2"	SBLS12-25	SBLP12-25	LBSL12-25	LBLP12-25	316LBSL12-25	316LBLP12-25*	
	3/8" Material Hole Diameter	1"	0" to 1/2"	SBLS12-30	SBLP12-30	LBSL12-30	LBLP12-30	316LBSL12-30	316LBLP12-30*
		1-3/4"	0" to 1/2"	SBLS12-50	SBLP12-50	LBSL12-50	LBLP12-50	316LBSL12-50	316LBLP12-50*
5/8"	2-1/2"	0" to 1/2"	SBLS12-70	SBLP12-70	LBSL12-70	LBLP12-70	316LBSL12-70	316LBLP12-70*	
	7/16" Material Hole Diameter	1/2"	0" to 1/4"	SBLS16-12	SBLP16-12	LBSL16-12	LBLP16-12	316LBSL16-12	316LBLP16-12*
		3/4"	0" to 1/2"	SBLS16-25	SBLP16-25	LBSL16-25	LBLP16-25	316LBSL16-25	316LBLP16-25*
		1"	0" to 1/2"	SBLS16-30	SBLP16-30	LBSL16-30	LBLP16-30	316LBSL16-30	316LBLP16-30*
1-3/4"		0" to 1/2"	SBLS16-50	SBLP16-50	LBSL16-50	LBLP16-50	316LBSL16-50	316LBLP16-50*	
7/16" Material Hole Diameter	2-1/2"	0" to 1/2"	SBLS16-70	SBLP16-70	LBSL16-70	LBLP16-70	316LBSL16-70	316LBLP16-70*	
	3/4"	1/2"	0" to 1/4"	SBLS19-12	SBLP19-12	LBSL19-12	LBLP19-12	316LBSL19-12	316LBLP19-12*
		3/4"	0" to 1/2"	SBLS19-25	SBLP19-25	LBSL19-25	LBLP19-25	316LBSL19-25	316LBLP19-25*
		1"	0" to 1/2"	SBLS19-30	SBLP19-30	LBSL19-30	LBLP19-30	316LBSL19-30	316LBLP19-30*
1-3/4"		0" to 1/2"	SBLS19-50	SBLP19-50	LBSL19-50	LBLP19-50	316LBSL19-50	316LBLP19-50*	
7/16" Material Hole Diameter	2-1/2"	0" to 1/2"	SBLS19-70	SBLP19-70	LBSL19-70	LBLP19-70	316LBSL19-70	316LBLP19-70*	
	Extended Head	3/4" to 1"	S19SSS	S19SSP	S19SS304	S19SP304*	S19SS316*	S19SP316*	
	7/8"	1/2"	0" to 1/4"	SBLS22-12	SBLP22-12	LBSL22-12	LBLP22-12	316LBSL22-12	316LBLP22-12*
		3/4"	0" to 1/2"	SBLS22-25	SBLP22-25	LBSL22-25	LBLP22-25	316LBSL22-25	316LBLP22-25*
1"		0" to 1/2"	SBLS22-30	SBLP22-30	LBSL22-30	LBLP22-30	316LBSL22-30	316LBLP22-30*	
1-3/4"		0" to 1/2"	SBLS22-50	SBLP22-50	LBSL22-50	LBLP22-50	316LBSL22-50	316LBLP22-50*	
7/16" Material Hole Diameter	2-1/2"	0" to 1/2"	SBLS22-70	SBLP22-70	LBSL22-70	LBLP22-70	316LBSL22-70	316LBLP22-70*	
	Extended Head	3/4" to 1"	S22SSS	S22SSP	S22SS304	S22SP304*	S22SS316*	S22SP316*	
	1"	1/2"	0" to 1/4"	SBLS25-12	SBLP25-12	LBSL25-12	LBLP25-12	316LBSL25-12	316LBLP25-12*
		3/4"	0" to 1/2"	SBLS25-25	SBLP25-25	LBSL25-25	LBLP25-25	316LBSL25-25	316LBLP25-25*
1"		0" to 1/2"	SBLS25-30	SBLP25-30	LBSL25-30	LBLP25-30	316LBSL25-30	316LBLP25-30*	
1-3/4"		0" to 1/2"	SBLS25-50	SBLP25-50	LBSL25-50	LBLP25-50	316LBSL25-50	316LBLP25-50*	
7/16" Material Hole Diameter	2-1/2"	0" to 1/2"	SBLS25-70	SBLP25-70	LBSL25-70	LBLP25-70	316LBSL25-70	316LBLP25-70*	
	Extended Head	3/4" to 1"	S25SSS	S25SSP	S25SS304	S25SSP304*	S25SS316*	S25SP316*	
	1-1/4"	1/2"	0" to 1/4"	SBLS30-12	SBLP30-12	LBSL30-12	LBLP30-12	316LBSL30-12	316LBLP30-12*
		3/4"	0" to 1/2"	SBLS30-25	SBLP30-25	LBSL30-25	LBLP30-25	316LBSL30-25	316LBLP30-25*
1"		0" to 1/2"	SBLS30-30	SBLP30-30	LBSL30-30	LBLP30-30	316LBSL30-30	316LBLP30-30*	
1-3/4"		0" to 1/2"	SBLS30-50	SBLP30-50	LBSL30-50	LBLP30-50	316LBSL30-50	316LBLP30-50*	
7/16" Material Hole Diameter	2-1/2"	0" to 1/2"	SBLS30-70	SBLP30-70	LBSL30-70	LBLP30-70	316LBSL30-70	316LBLP30-70*	
	Extended Head	3/4" to 1"	S30SSS*	S30SSP*	S30SS304*	S30SP304*	S30SS316*	S30SP316*	



1/2" & 5/8" Diameter: Use for drywall: screw 2208 and anchor ANC5, ANC5Z. Use for concrete: screw 2208 and anchor ANC1
3/4" to 1-1/4" Diameter: Use for drywall: screw 2216 and anchor ANC6, ANC6Z. Use for concrete: screw 2216 and anchor ANC2

*Available upon request minimum order quantity 100



Luxury Standoffs

3 Finishes – For Indoor and Outdoor Use

- Wall mounted standoffs
- Designed from high quality solid aluminum
- 3 different finishes
- 2 different heights
- Protective washers included
- Non threaded stud
- Set screw to lock in place
- Requires (2.0mm) allen key
- Mounting hardware not included



Technical Information			Aluminum Finish		
Diameter	Standoff	Material Thickness Accepted			
5/8"			Satin Silver	Polished Chrome	Polished Gold
3/8" Material Hole Diameter	7/8"	0" to 1/2"	1623A	1623AS	1623GS
7/8"					
3/8" Material Hole Diameter	1"	0" to 9/16"	2327A	2327AS	2327GS

 Use for drywall: screw 2208 and anchor ANC5, ANC5Z. Use for concrete: screw 2208 and anchor ANC1



Clear Acrylic Standoffs

2 Finishes – For Indoor and Outdoor Use

- Wall mounted standoffs
- Designed from high quality solid acrylic for indoor and outdoor use
- 2 different finishes
- 4 different diameters
- 5 different heights
- Protective washers included
- Tamper proof by reverse thread
- Mounting hardware not included



TAMPER
PROOF

2 Different Finishes



Clear



White

Technical Information			Acrylic	
Diameter	Standoff	Material Thickness Accepted		
			Clear	White
1/2" 3/8" Material Hole Diameter	1/2"	0" to 1/4"	ACS12-12C	ACS12-12W
	3/4"	1/8" to 1/2"	ACS12-25C	ACS12-25W
	1"	0" to 1/2"	ACS12-30C	ACS12-30W
	1-3/4"	0" to 1/2"	ACS12-50C	ACS12-50W
5/8" 7/16" Material Hole Diameter	2-1/2"	0" to 1/2"	ACS12-70C	ACS12-70W
	1/2"	0" to 1/4"	ACS16-12C	ACS16-12W
	3/4"	1/8" to 1/2"	ACS16-25C	ACS16-25W
	1"	0" to 1/2"	ACS16-30C	ACS16-30W
3/4" 7/16" Material Hole Diameter	1-3/4"	0" to 1/2"	ACS16-50C	ACS16-50W
	2-1/2"	0" to 1/2"	ACS16-70C	ACS16-70W
	1/2"	0" to 1/4"	ACS19-12C	ACS19-12W
	3/4"	1/8" to 1/2"	ACS19-25C	ACS19-25W
1" 7/16" Material Hole Diameter	1"	0" to 1/2"	ACS19-30C	ACS19-30W
	1-3/4"	0" to 1/2"	ACS19-50C	ACS19-50W
	2-1/2"	0" to 1/2"	ACS19-70C	ACS19-70W
	1/2"	0" to 1/4"	ACS25-12C	ACS25-12W
1" 7/16" Material Hole Diameter	3/4"	1/8" to 1/2"	ACS25-25C	ACS25-25W
	1"	0" to 1/2"	ACS25-30C	ACS25-30W
	1-3/4"	0" to 1/2"	ACS25-50C	ACS25-50W
	2-1/2"	0" to 1/2"	ACS25-70C	ACS25-70W

- i** 1/2" & 5/8" Diameter: Use for drywall: screw 2208 and anchor ANC5, ANC5Z
 Use for concrete: screw 2208 and anchor ANC1
 3/4" & 1" Diameter: Use for drywall: screw 2216 and anchor ANC6, ANC6Z
 Use for concrete: screw 2216 and anchor ANC2

Flat Head (1/16" cap height) Standoffs

- Wall mounted standoffs
- Designed from solid stainless steel or aluminum
- 3 different diameters
- 3 different heights
- Mounting hardware not included
- Requires (2.0mm) allen key
- Non threaded stud

PATENT
PENDING



3 Different Finishes



Clear Anodized
(A)




Black Anodized
(B)



Brushed
(S/S304)

Diameter	Standoff	Material Thickness Accepted	Aluminum		Stainless Steel	
						
			Clear Anodized	Black Anodized	Brushed Indoor Use	Brushed Indoor / Outdoor Use
1/2"	5/16"	0 to 1/16"	GS050-050A	GS050-050B	GS050-050S	GS050-050S304
	1"	0 to 1/2"	GS050-100A	GS050-100B	GS050-100S	GS050-100S304
	2"	0 to 1/2"	GS050-200A	GS050-200B	GS050-200S	GS050-200S304
3/4"	5/16"	0 to 1/16"	GS075-050A	GS075-050B	GS075-050S	GS075-050S304
	1"	0 to 1/2"	GS075-100A	GS075-100B	GS075-100S	GS075-100S304
	2"	0 to 1/2"	GS075-200A	GS075-200B	GS075-200S	GS075-200S304
1"	5/16"	0 to 1/16"	GS100-050A	GS100-050B	GS100-050S	GS100-050S304
	1"	0 to 1/2"	GS100-100A	GS100-100B	GS100-100S	GS100-100S304
	2"	0 to 1/2"	GS100-200A	GS100-200B	GS100-200S	GS100-200S304

 Use for drywall: screw 2208 and anchor ANC5, ANC5Z. Use for concrete: screw 2208 and anchor ANC1
Required Material Hole Size: 5/16"



Hollow Stainless Steel Standoffs

For Indoor Use Only

- Wall mounted standoffs
- Designed from hollow stainless steel for indoor use
- Satin brushed
- 6 different diameters
- 5 different heights
- Protective washers included
- Mounting hardware not included



Diameter	Standoff	Material Thickness Accepted	Stainless Steel Satin Brushed
1/2" 3/8" Material Hole Diameter	1/2"	5/32" to 1/4"	HBLS12-12
	3/4"	0" to 1/2"	HBLS12-25
	1"	0" to 1/2"	HBLS12-30
	1-3/4"	0" to 1/2"	HBLS12-50
	2-1/2"	0" to 1/2"	HBLS12-70
5/8" 7/16" Material Hole Diameter	1/2"	5/32" to 1/4"	HBLS16-12
	3/4"	0" to 1/2"	HBLS16-25
	1"	0" to 1/2"	HBLS16-30
	1-3/4"	0" to 1/2"	HBLS16-50
	2-1/2"	0" to 1/2"	HBLS16-70
3/4" 7/16" Material Hole Diameter	1/2"	5/32" to 1/4"	HBLS19-12
	3/4"	0" to 1/2"	HBLS19-25
	1"	0" to 1/2"	HBLS19-30
	1-3/4"	0" to 1/2"	HBLS19-50
	2-1/2"	0" to 1/2"	HBLS19-70
7/8" 7/16" Material Hole Diameter	1/2"	5/32" to 1/4"	HBLS22-12
	3/4"	0" to 1/2"	HBLS22-25
	1"	0" to 1/2"	HBLS22-30
	1-3/4"	0" to 1/2"	HBLS22-50
	2-1/2"	0" to 1/2"	HBLS22-70
1" 7/16" Material Hole Diameter	1/2"	5/32" to 1/4"	HBLS25-12
	3/4"	0" to 1/2"	HBLS25-25
	1"	0" to 1/2"	HBLS25-30
	1-3/4"	0" to 1/2"	HBLS25-50
	2-1/2"	0" to 1/2"	HBLS25-70
1-1/4" 7/16" Material Hole Diameter	1/2"	5/32" to 1/4"	HBLS30-12
	3/4"	0" to 1/2"	HBLS30-25
	1"	0" to 1/2"	HBLS30-30
	1-3/4"	0" to 1/2"	HBLS30-50
	2-1/2"	0" to 1/2"	HBLS30-70

i 1/2" & 5/8" Diameter: Use for drywall: screw 2208 and anchor ANC5, ANC5Z. Use for concrete: screw 2208 and anchor ANC1
 3/4" to 1-1/4" Diameter: Use for drywall: screw 2216 and anchor ANC6, ANC6Z. Use for concrete: screw 2216 and anchor ANC2

Special Satin Stainless Steel Standoffs

1/2" Diameter – For Indoor and Outdoor Use

- Wall mounted standoffs
- Designed from high quality stainless steel
- Satin brushed finish
- Grooved stud for security
- Requires (2.0mm) allen key
- 2 different diameters
- 2 Different heights
- Protective washers included



Visit website for technical information



3 Different Heads



Flat Head



Rounded Head

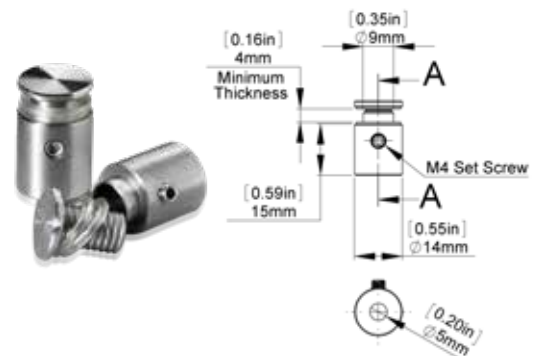


Conical Head

1/2" Diameter x 5/8" Barrel Length

Head	Cap Height	Indoor Use	Outdoor Use
Flat	1/16" Thick	PFI14.15	PFI14.15S
Rounded	1/4" Thick	PFI14.15R	N/A
Conical	1/4" Thick	PFI14.15C	N/A

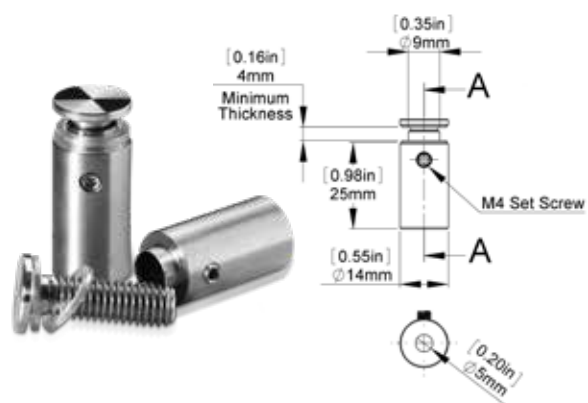
- i** Use for drywall: screw 2208 and anchor ANC5, ANC5Z
 Use for concrete: screw 2208 and anchor ANC1
 Thickness of material accepted: minimum 1/8", maximum 1/4"
 Hole Diameter to be drilled in your material: 3/8"



1/2" Diameter x 1" Barrel Length

Head	Cap Height	Indoor Use	Outdoor Use
Flat	1/16" Thick	PFI14.25	PFI14.25S
Rounded	1/4" Thick	PFI14.25R	N/A
Conical	1/4" Thick	PFI14.25C	N/A

- i** Use for drywall: screw 2208 and anchor ANC5, ANC5Z
 Use for concrete: screw 2208 and anchor ANC1
 Thickness of material accepted: minimum 1/8", maximum 1/2"
 Hole Diameter to be drilled in your material: 3/8"



Satin Finish Special Standoffs

For Indoor and Outdoor Use

- Wall mounted standoffs
- Designed from high quality stainless steel
- Satin brushed finish
- Grooved stud for security
- Requires (2.0mm) allen key
- 2 different diameters
- 1 height
- Protective washers included



2 Different Heads



Flat Head

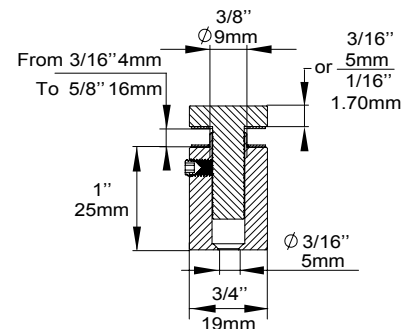


Standard Head

3/4" Diameter x 1" Barrel Length

Head	Cap Height	Indoor Use	Outdoor Use
Standard	3/16" Thick	PFI19.25ST	PFI19.25SST
Flat	1/16" Thick	PFI19.25FL	N/A

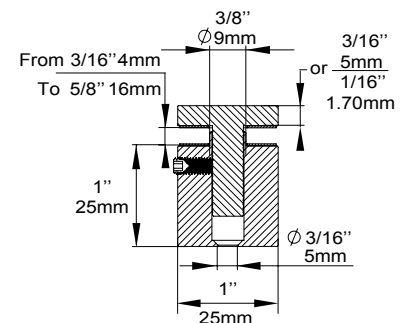
- i** Use for drywall: screw 2216 and anchor ANC6, ANC6Z
 Use for concrete: screw 2216 and anchor ANC2
 Thickness of material accepted: minimum 3/16", maximum 5/8"
 Hole Diameter to be drilled in your material: 3/8"



1" Diameter x 1" Barrel Length

Head	Cap Height	Indoor Use	Outdoor Use
Standard	3/16" Thick	PFI25.25ST	PFI25.25SST
Flat	1/16" Thick	PFI25.25FL	N/A

- i** Use for drywall: screw 2216 and anchor ANC6, ANC6Z
 Use for concrete: screw 2216 and anchor ANC2
 Thickness of material accepted: minimum 3/16", maximum 5/8"
 Hole Diameter to be drilled in your material: 3/8"



Stainless Steel Square Standoffs

For Indoor and Outdoor Use

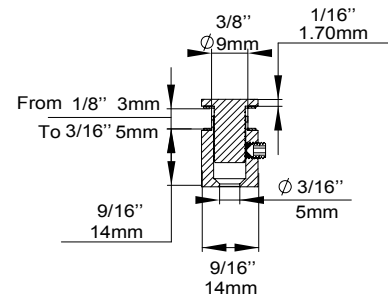
- Wall mounted standoffs
- Designed from high quality stainless steel
- Satin brushed finish
- Grooved stud for security
- Requires (2.0mm) allen key
- 3 different square sizes
- 3 different heights
- Protective washers included



9/16" Square Standoff

Standoff	Indoor Use	Outdoor Use
9/16"	CPFI14.14	N/A

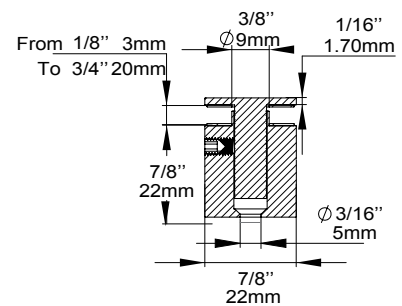
- i** Use for drywall: screw 2208 and anchor ANC5, ANC5Z
 Use for concrete: screw 2208 and anchor ANC1
 Thickness of material accepted: minimum 1/8", maximum 5/8"
 Hole Diameter to be drilled in your material: 3/8"



7/8" Square Standoff

Standoff	Indoor Use	Outdoor Use
7/8"	CPFI22.22	CPFI22.22S

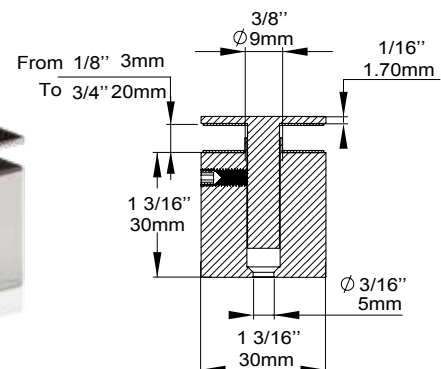
- i** Use for drywall: screw 2216 and anchor ANC6, ANC6Z
 Use for concrete: screw 2216 and anchor ANC2
 Thickness of material accepted: minimum 1/8", maximum 5/8"
 Hole Diameter to be drilled in your material: 3/8"



1-3/16" Square Standoff

Standoff	Indoor Use	Outdoor Use
1-3/16"	CPFI30.30	CPFI30.30S

- i** Use for drywall: screw 2216 and anchor ANC6, ANC6Z
 Use for concrete: screw 2216 and anchor ANC2
 Thickness of material accepted: minimum 1/8", maximum 5/8"
 Hole Diameter to be drilled in your material: 3/8"



LED RGB Standoffs

- Available in 2 or 4 pieces per kit
- RGB color changing kits available with over 15 color combinations and 4 modes
- Remote with RGB model
- 0.4 Watts per Standoff
- Transformer 120V included
- For the best lighting effect, drill a 7/8" hole in the acrylic



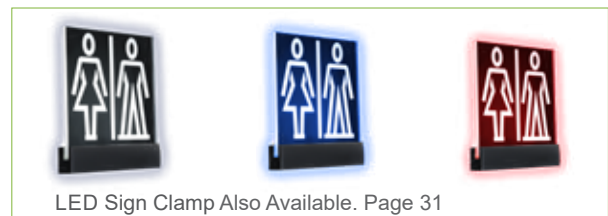
Visit website for technical information

Diameter	Standoff	Material Thickness Accepted	Quantity Per Set				
				White	Blue	Red	RGB
1"	1"	3/16" to 1/2"	2 Pieces	LS2W25-25A	LS2B25-25A	LS2R25-25A	LS2RGB25-25A
7/8" Material Hole Diameter			4 Pieces	LS4W25-25A	LS4B25-25A	LS4R25-25A	LS4RGB25-25A

i Use for drywall: screw 2208 and anchor ANC5, ANC5Z. Use for concrete: screw 2208 and anchor ANC1



Available with RGB LED



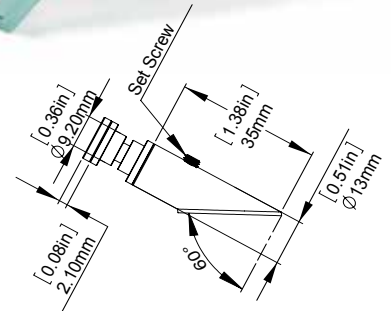
LED Sign Clamp Also Available. Page 31

Desktop Standoffs

- Desk standoffs
- Designed from high quality stainless steel
- Set screw to lock in place
- Rubber pad base / bottom



Full Set with Glass
Item #: FSD3

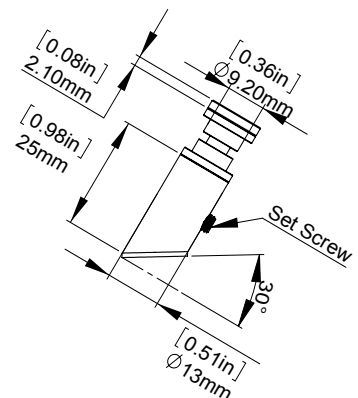


1/2" Diameter Desktop Standoffs

Diameter	Head	Material Thickness Accepted	Angle	Aluminum	Stainless Steel	
				Clear Aluminum	Matte Black	Brushed
1/2"	Flat 0.08"	5/16"	60°	100.008A	100.008MB	100.008

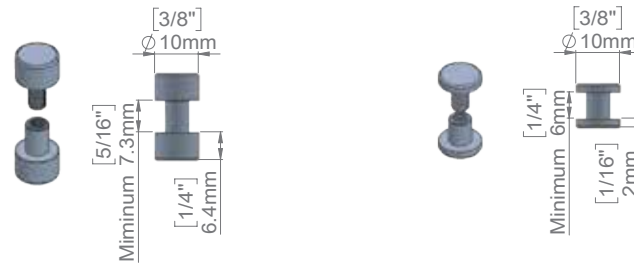
1/2" Diameter Desktop Standoffs

Diameter	Head	Material Thickness Accepted	Angle	Stainless Steel
				Brushed
1/2"	Rounded	5/16"	30°	100.102
1/2"	Flat	5/16"	30°	100.002
1/2"	Flat 0.08"	1/8" to 5/16"	0°	100.007

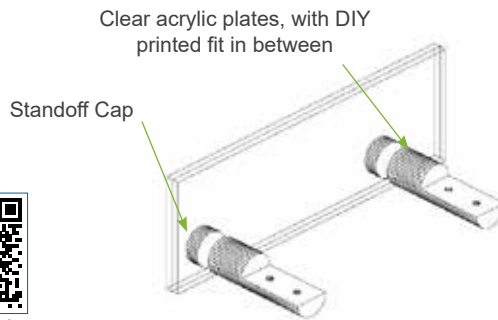


Material Connector

Diameter	Head	Material Thickness Accepted			
			Clear Aluminum	Black Anodized	Stainless Steel
3/8"	Flat 1/4"	5/16" to 1/2"	MC038A	MC038B	MC038S
3/8"	Flat 1/16"	1/4" to 3/8"	MCS038A	MCS038B	MCS038S
1/2"	Flat 1/16"	3/16" to 3/8"	N/A	N/A	100.020



Visit website for technical information



Visit website for technical information



5/8" Desktop Bottom Table Standoffs

Diameter	Head	Material Thickness Accepted	Stainless Steel (201)	Aluminum	
					
			Clear Anodized	Black Anodized	Satin Brushed Finish
5/8"	Flat	5/16"	100.010A	100.010B	100.010SS



Desktop Standoffs

- Desk standoffs
- Designed from high quality stainless steel and aluminum

The professional desktop is more than just a place in the office where your stuff is collected; it is your home away from home. The need to personalize such a highly trafficked area is important, and there is no better way to do just that than to purchase a desktop sign set. Set your self apart with a gorgeous desktop name plate and make sure your name is remembered! The elegant finishes that we carry will give your display a unique look that will make it stand out like no other! If you look below you will notice technical descriptions about this particular desktop standoff.



Item # AC12510-3A

**#1
BEST SELLER**



Item # 102.004AS



Item # 102.002AS

Conical Desktop Standoffs

Cylinder Desktop Standoffs

5/16" Diameter Desktop Standoffs



Visit website for technical information

Description	Length	Material Thickness Accepted	Aluminum				Stainless Steel
			Clear	Shiny	Black	Gold	Brushed
Cylinder Desktop Standoffs	2"	up to 3/8"	102.001A*	102.001AS*	102.001B*	102.001G*	102.001**
	3-1/16"	up to 3/8"	102.002A*	102.002AS*	102.002B*	102.002G*	102.002**
Conical Desktop Standoffs	2-3/4"	up to 3/8"	102.004A*	102.004AS*	102.004B*	102.004G*	102.004**

i 102.002B Also Available in Matte Black
 *Can be adjusted with different set screw
 **Non interchangeable set screw





Item # 102.004G



5/16" Diameter Material Connector

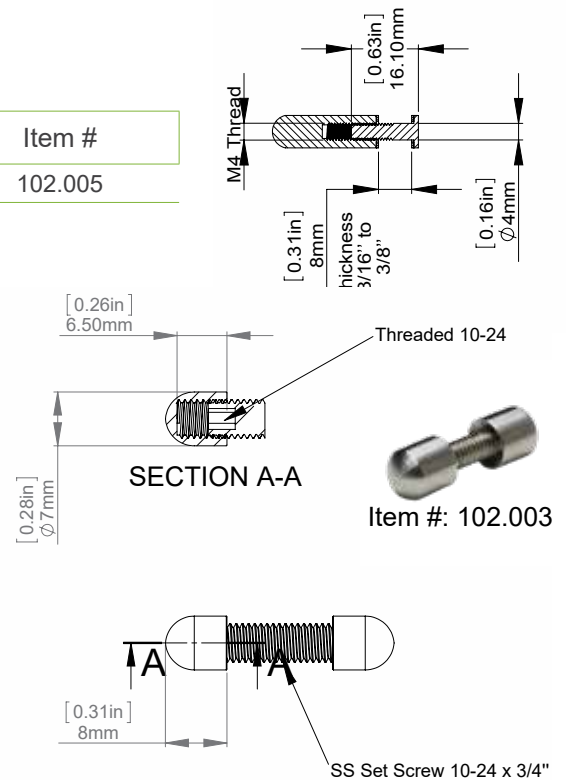
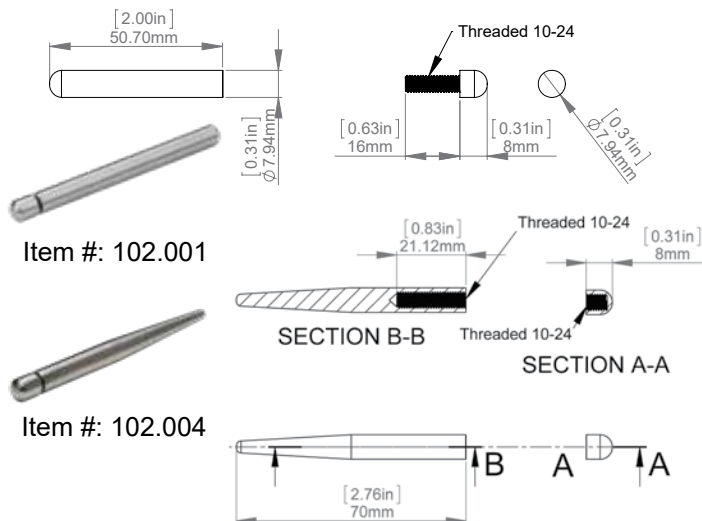
Description	Length	Material Thickness Accepted	Aluminum				Stainless Steel
			Clear	Shiny	Black	Gold	Brushed
Material Connector	1/4"	1/4" to 3/8"	102.003A*	102.003AS*	102.003B*	102.003G*	102.003*

*Can be adjusted with different set screw

5/16" Diameter Desktop Standoffs

Diameter	Thickness	Head	Item #
3/16"	3/16" to 3/8"	Flat	102.005

Thickness of material accepted: 1/8" to 3/8"



Desktop Standoffs with Acrylic

- 5 finishes
- Aluminum or stainless steel desktop standoffs
- Usable vertically or horizontally for 8.5" x 11" Insert



Conical



Cylinder

Description	Sizes	Insert Sizes	Aluminum				Stainless Steel
			Clear	Shiny	Black	Gold	Brushed
Clear Acrylic Frame Kit with 3" Clear Anodized Aluminum Cylinder Desktop Standoffs	12-1/2" x 10"	8.5" x 11"	AC12510-3A	AC12510-3AS	AC12510-3B	AC12510-3G	AC12510-3SS
Clear Acrylic Frame Kit with 3" Clear Anodized Aluminum Conical Desktop Standoffs	12-1/2" x 10"	8.5" x 11"	AC12510-3TA	AC12510-3TAS	AC12510-3TB	AC12510-3TG	AC12510-3TSS

PATENT
PENDING

Cell Phone / Tablet Standoffs

The Royal Stand a cellphone holder



It is time to take a stand against subjecting your phone to bathroom mishaps. Nobody wants to fish their phone out of the toilet. **The Royal Stand** prevents your phone from falling in the toilet. Simply mount it to the wall where it is safe and secure.



Parts included: (2) Wall Pegs, (2) Washers, (2) Drywall Screws, (2) Plastic Anchors, (1) Allen Wrench

Description	Diameter	Distance from the Wall	Aluminum					
			Clear	Mirror	Matte Black	Bronze	Titanium	Gold
Set of 2 pieces of Cell Phone / Tablet Standoffs	5/8"	1-3/16"	CP058A	CP058AP	CP058MB	CP058AB	CP058T	CP058G



Signage Glass

Set of Glass Included Standoffs

Glass Type	Glass Size	# of Holes	Item #
Flat	6" x 3-1/8"	2	FS1
Flat	6" x 3-1/8"	2	FS3
Curved	5-15/16" x 5-15/16"	4	FS17



Glass Type	Glass Size	Insert Size	Thickness	# of Holes	Item #
	8-1/2" x 5-1/2"	8-1/2" x 5-1/2"		N/A	200.090
	6" x 6"	6" x 6"		4	200.303
	8" x 8"	8" x 8"		4	200.305
	10" x 10"	10" x 10"		4	200.307
	5" x 5"	5" x 5"		4	200.332
	6" x 3-1/8"	6" x 3-1/8"		2	250.011
	6" x 4"	6" x 4"		2	250.013.A
	6" x 3-1/8"	6" x 3-1/8"		2	250.029.A
	8-1/2" x 11"	8-1/2" x 11"		N/A	250.330
	8-1/2" x 11"	10-1/2" x 13"		4	250.342
Flat (1)	17" x 11"	17" x 11"		N/A	250.360
	17" x 11"	17" x 11"		4	250.361
	19-3/8" x 13-3/8"	19-3/8" x 13-3/8"	0.16"	N/A	250.370
	19-3/8" x 13-3/8"	19-3/8" x 13-3/8"		4	250.371
	10" x 2"	10" x 2"		2	260.110
	10" x 2"	10" x 2"		2	260.120
	8" x 3"	8" x 3"		2	260.130
	10" x 3"	10" x 3"		2	260.140
	12" x 3"	12" x 3"		2	260.150
	12" x 4"	12" x 4"		2	260.160
Flat (2) Portrait	8-1/2" x 11"	8-1/2" x 11"		4	250.280
	13.36" x 18.18"	11" x 17"		4	250.284
Flat (2) Landscape	17" x 11"	17" x 11"		4	250.285
Curved (2)	6" x 6"	6" x 6"		4	210.303.Q
	10" x 24"				TG10-24
	10" x 36"				TG10-36
Glass Shelf (1)	12" x 12"	N/A	3/16"	N/A	TG12-12
	12" x 24"				TG12-24
	12" x 36"				TG12-36

Hardware for Standoffs

For Drywall and Concrete

MORE
LENGTHS
AVAILABLE ON
OUR WEBSITE!

	Description	Diameter	Length	Item #
	Stainless Steel Phillips Flat Head Screw	#6	3/4"	2206
	Stainless Steel Phillips Flat Head Screw	#6	1-1/2"	2208
	Zinc Phillips Flat Head Screw	#6	1-1/2"	2208Z
	Phillips Flat Head Coarse Drywall Screw	#6	1-1/2"	118732
	Phillips Stainless Flat Head	#6	2"	2209
	Concrete/Drywall Plastic Anchor; Drill Size 1/4"	#6	N/A	ANC1
	Low Cost Drywall Nylon Anchor	#6	1-1/4"	SA5P
	Drywall Nylon Anchor	#6	N/A	ANC5
	Drywall Zinc Anchor	#6	N/A	ANC5Z
	Stainless Steel Phillips Flat Head Screw	#8	3/4"	2214
	Stainless Steel Phillips Flat Head Screw	#8	1-1/2"	2216
	Zinc Phillips Flat Head Screw	#8	1-1/2"	2216Z
	Phillips Flat Head Coarse Drywall Screw	#8	1-1/2"	262156
	Stainless Steel Phillips Flat Head Screw	#8	2"	2217
	Concrete/Drywall Plastic Anchor; Drill Size 1/4"	#8	N/A	ANC2
	Low Cost Drywall Nylon Anchor	#8	1-5/8"	LA6P
	Drywall Nylon Anchor	#8	N/A	ANC6
	Drywall Zinc Anchor	#8	1-1/2"	SA6Z
	Drywall Zinc Anchor	#8	1"	LA6Z
	Drywall Zinc Anchor	#8	N/A	ANC6Z
	Phillips Flat Head Screw	#10	1-1/4"	2225
	Concrete/Drywall Plastic Anchor; Drill Size 5/16"	#10	N/A	ANC3
	Phillips Flat Head Screw	#12	1-1/4"	2234
	Concrete/Drywall Plastic Anchor; Drill Size 3/8"	#12	N/A	ANC4
	Drywall Nylon Toggle Wings	#8	Pre-Drill 9/16"	TBW9
	Nylon Toggle Tool Key	N/A	N/A	TBW9K
	Drywall Spring Toggle Wings	#6	N/A	TBW6
	Phillips Flat Head Screw	#6	2-1/2"	2200Z
	Drywall Spring Toggle Wings	#8	N/A	TBW8
	Phillips Flat Head Screw. Phillips Zinc Screw	#8	2-1/2"	2300Z
		#6	3/4"	PT6075
	Phillips Stainless Steel Truss Head Screws	#6	1-1/2"	PT6150
		#8	3/4"	PT8075
		#8	1-1/2"	PT8150

Screw and anchor for stronger resistance (select products only)



Installation Tools for Standoffs

For Drywall and Concrete

	Description	Item #
	68 Piece Tool Set	SETBIT
	Screw Driver for Hex 1/4" Bit with Ergonomic Rubber Handle	61300
	Mini Stubby Handle for Hex 1/4" Bit	61200
	1/4" Magnetic Bit Holder	MBH1/4
	Phillips Head Insert Bit #1x3"	PH1-3
	Phillips Head Insert Bit #2x2"	PH2-2
	Phillips Head Insert Bit #2x3"	PH2-3
	Hex Tamper Proof: 1.5mmx3-1/8"	611015
	Hex Tamper Proof: 2mmx3-1/8"	611020
	Hex Tamper Proof: 2.5mmx3-1/8"	611025
	Hex Tamper Proof: 3mmx3-1/8"	611030
	Torx Tamper Proof: T10 Bitx3-1/8"	101000
	Torx Tamper Proof: T15 Bitx3-1/8"	101010
	Torx Tamper Proof: T20 Bitx3-1/8"	101020
	Hex Tamper Proof: Stubby Handle 1.5mm	STUBBY15
	Hex Tamper Proof: Stubby Handle 2.0mm	STUBBY20
	Hex Tamper Proof: Stubby Handle 2.5mm	STUBBY25
	Hex Tamper Proof: Stubby Handle 3.0mm	STUBBY30
	Hex Tamper Proof: Stubby Handle	STUBBYSET
	Allen Wrench	ALLENM4
	Standoff Sample Display	DISPLAY-1
	1/4" Cobalt Drill Bit	DB14
	5/32" Cobalt Drill Bit	DB532
	7/32" Cobalt Drill Bit	DB732



Item #: 61300



Item #: STUBBYSET



Item #: SETBIT



Item #: DISPLAY-1

Glass Standoffs



Item #: RS0B20SS

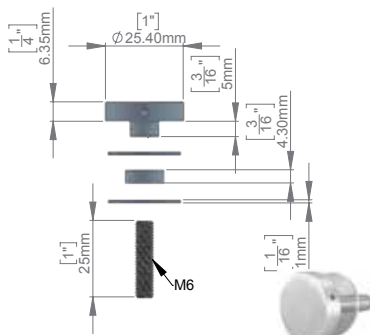


Item #: SF-50M8

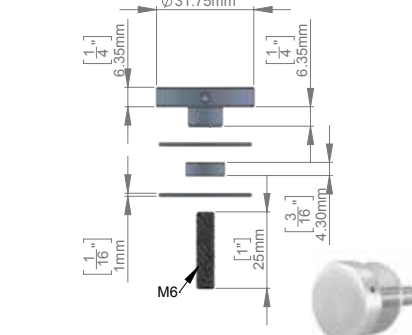


Product Upon Request
Item #: SO-NB48X30

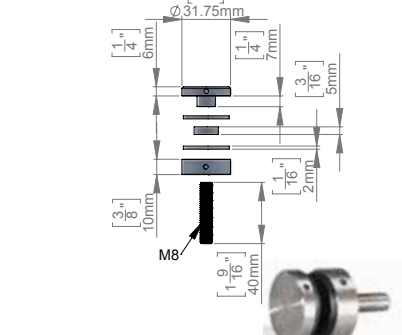
Item #: CAP1*






Item #: CAP114*



Item #: SET-150*



Description	Mounting	 Brushed	 Polished
High Grade 316 Stainless Steel, 2" Glass Rail Standoff Fitting with Mounting Plate	For Use with 1/2" and 3/4" Monolithic Tempered Glass or 9/16" and 27/32" Laminated Glass Using DuPont® SentryGlas® Interlayers	RS0B20SS	RS0B20SP
Set of Cap High Grade 316 Stainless Steel, 1" Diameter	5/16"	CAP1BS*	CAP1BP*
Set of Cap High Grade 316 Stainless Steel, 1-1/4" Diameter	5/16"	CAP114BS*	CAP114BP*
Set of Cap and barrel High Grade 316 Stainless Steel, 1-3/16" Diameter, Barrel 3/8"	5/16"	SET-150	N/A

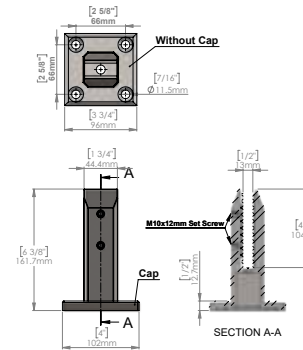
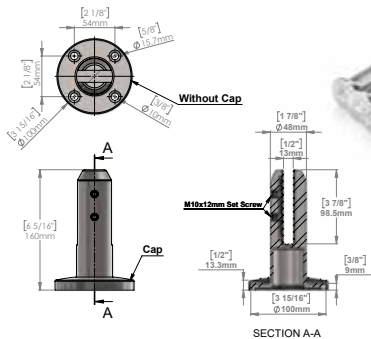
 *Available upon request. Minimum order quantity 100






Spigot Clamps

For Indoor and Outdoor Use

- The surface mount spigot clamp is perfect for use with glass wall systems for pools, balconies, stair rails, decks, etc...
- Spigot Clamps are made from 304 or 316 Stainless Steel for corrosion resistance in any environment
- Designed for 3/8" tempered or 1/2" thick laminated glass
- Does not require any holes to be drilled in the glass
- Two Spigot Clamps can support up to a 4' panel of glass



Description	Mounting	 Brushed	 Polished	 Matte Black
<p>High Grade 316* stainless steel, square glass spigots are designed for use when the material will be exposed to corrosive elements or exposed to water consistently. Perfect for applications where greater strength is required.</p> <p>304** stainless steel square glass spigots are designed for use when the material will be exposed to humid areas and has excellent corrosion resistance.</p>	<p>(4) 316 or 304 stainless steel sleeve and a 5/16" diameter anchor</p>	<p>SPIGOT1316SS</p> <p>SPIGOT1304SS</p>	<p>SPIGOT1316SP</p> <p>SPIGOT1304SP</p>	<p>SPIGOT2316MB</p> <p>SPIGOT2304MB</p>

i 316 Stainless Steel for use near the sea or pool area
304 Stainless Steel is for general outdoor
Designed for material 3/8" and 1/2" thickness



Glass Standoffs to Stick with Bit to Mark Material

- 3 different diameters
- 3 different heights
- Easy to install with a special design to mark support
- 4 finishes

Diameter	Standoff	Aluminum		Stainless Steel	
					
		Clear Anodized	Black Anodized	Brushed Indoor Use	Brushed Indoor / Outdoor Use
1/2"	5/16"	GS050-050A	GS050-050B	GS050-050S	GS050-050S304
	1"	GS050-100A	GS050-100B	GS050-100S	GS050-100S304
	2"	GS050-200A	GS050-200B	GS050-200S	GS050-200S304
3/4"	5/16"	GS075-050A	GS075-050B	GS075-050S	GS075-050S304
	1"	GS075-100A	GS075-100B	GS075-100S	GS075-100S304
	2"	GS075-200A	GS075-200B	GS075-200S	GS075-200S304
1"	5/16"	GS100-050A	GS100-050B	GS100-050S	GS100-050S304
	1"	GS100-100A	GS100-100B	GS100-100S	GS100-100S304
	2"	GS100-200A	GS100-200B	GS100-200S	GS100-200S304

For 1/2" Diameter: Use for drywall: screw 2208 anchor ANC5, ANC5Z. Use for concrete: anchor 2208 and anchor: ANC1

For 3/4" to 1" Diameter: Use for drywall: screw 2216 anchor ANC6, ANC6Z. Use for concrete: screw 2216 and anchor ANC2

Glue

Glue Glass to Stainless Steel UV640

GUV640

Bit to mark material



Assembly Instructions

The directions below are general installation recommendations. The weight of each fastener depends on the conditions of use. To avoid unnecessary tension it is advised to avoid over tightening of the body support.



1

Using adhesive place the Head support on the back of the glass or letter.



3

Place template and drill appropriately.



5

Secure the letters into place using Set Screw on the barrel.



2

Place the Glass or letter against the template and use pressure to mark placement of pilot holes.



4




Attach Body ends in correct positions.


LED Sign Clamp



Visit website for technical information

- 5 Different lengths
- Transformer 120V included
- For better illumination edges of acrylic must be polished

Size	Standoff	Material Thickness Accepted	Length			
				White	Blue	Red
1"	1"	1/4" to 5/16"	3-1/8"	LWR100A-80A	LBR100A-80A	LRR100A-80A
	1"	1/4" to 5/16"	4-3/4"	LWR100A-120A	LBR100A-120A	LRR100A-120A
	1"	1/4" to 5/16"	7-1/16"	LWR100A-180A	LBR100A-180A	LRR100A-180A
	1"	1/4" to 5/16"	11"	LWR100A-280A	LBR100A-280A	LRR100A-280A
	1"	1/4" to 5/16"	14-15/16"	LWR100A-380A	LBR100A-380A	LRR100A-380A

 Use for drywall: screw 2216 and anchor ANC6, ANC6Z. Use for concrete: screw 2216 and anchor ANC2



LED Standoffs Also Available. Page 19



Non-Adjustable Edge Grip Standoffs

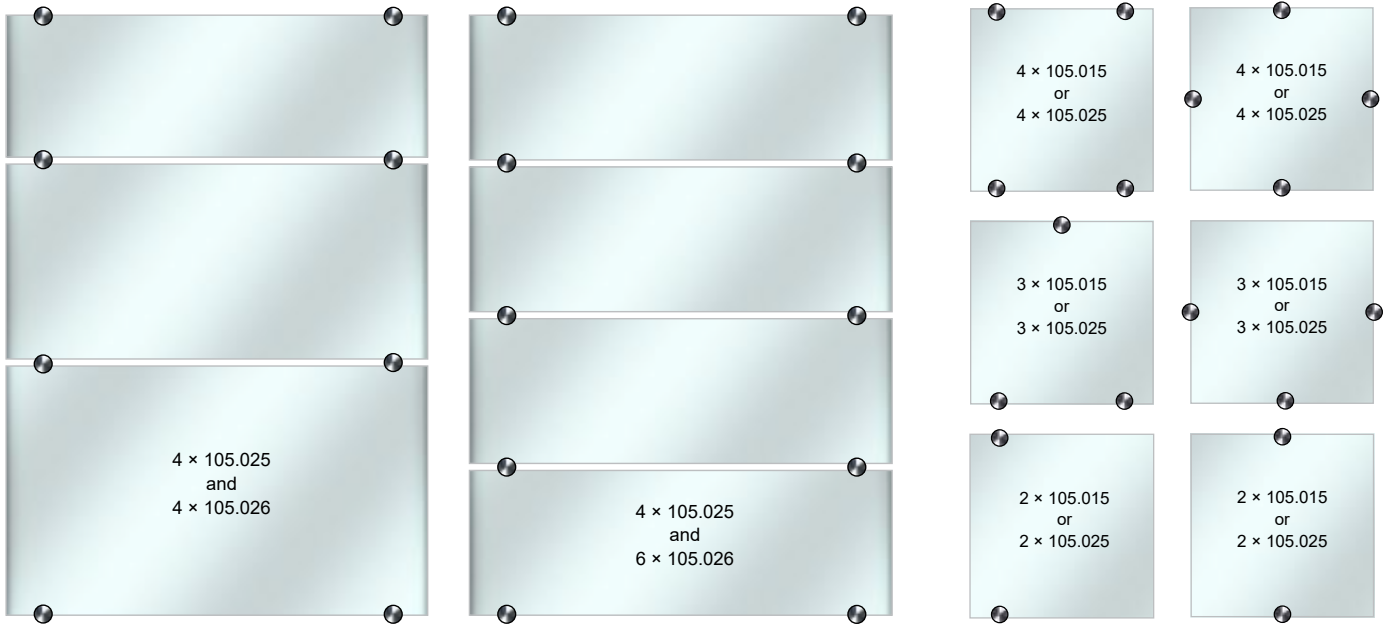
6 Finishes – Stainless Steel For Indoor Use Only, Aluminum For Indoor and Outdoor Use

- Wall mounted edge grip standoffs
- Designed from high quality stainless steel
- Designed for flat material signs
- Non adjustable
- Requires (2.0mm) allen key
- Hardware not included



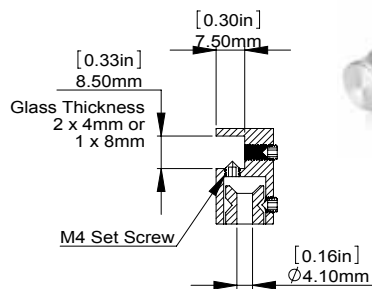
NO MATERIAL
DRILLING
NEEDED!

Configuration Examples

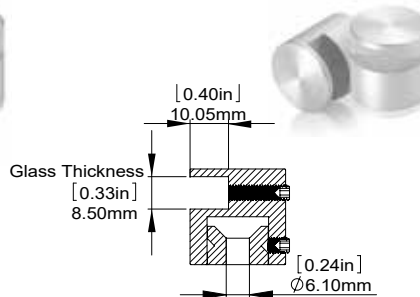


Non-Adjustable Edge Grip Standoffs

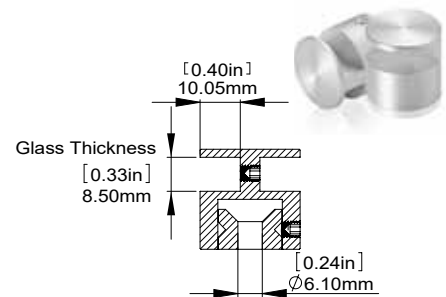
6 Finishes – Stainless Steel For Indoor Use Only, Aluminum For Indoor and Outdoor Use



Item #: 105.015



Item #: 105.025



Item #: 105.026

Diameter	Standoff	Material Thickness Accepted	Type	Aluminum						Stainless Steel
5/8"	5/8"	5/16"	Single Channel	105.015A	105.015AS	105.015B	105.015G	105.015AB	105.015T	105.015
	1"	5/8"	5/16"	Single Channel	105.025A	105.025AS	105.025B	105.025G	105.025AB	105.025T
	5/8"	5/16"	Double Channel	105.026A	105.026AS	105.026B	105.026G	105.026AB	105.026T	105.026

i For 9/16" Diameter: Use for drywall: screw 2208 anchor ANC5, ANC5Z. Use for concrete: anchor 2208 and anchor:ANC1
 For 1" Diameter: Use for drywall: screw 2216 anchor ANC6, ANC6Z. Use for concrete: screw 2216 and anchor ANC2

Edge Grip with 8.5" × 11" Acrylic

- Wall mounted edge grip standoffs
- Non adjustable
- Easy access to set screw to lock into place
- Hardware included
- Sold with or without acrylic



Description	Material Thickness Accepted		
		Clear Anodized	Black Anodized
Kit of 4 wall mounted edge grip	3/16"	ASA1922A	ASA1922B
Kit of 4 wall mounted edge grip, Anodized Aluminum with Acrylic 9.69" × 11.12", For insert 8.5" × 11"	3/16"	ASA1922A-K	ASA1922B-K

i Use for drywall: screw 2208 and anchor ANC5, ANC5Z. Use for concrete: screw 2208 and anchor ANC1



Adjustable Edge Grip Standoffs

6 Finishes – Stainless Steel For Indoor Use Only, Aluminum For Indoor and Outdoor Use

- Wall mounted edge grip standoffs
- Designed from high quality materials
- No holes in material required
- Protective washer included
- Set screw to lock in place
- Requires (2.0mm) allen key
- Mounting hardware not included

NO MATERIAL
DRILLING
NEEDED!

New Aluminum Rectangular Shape
REG050-038AB Anodized Bronze
REG050-38T Anodized Titanium also available

Item #: REG050-038A



6 Different Finishes



Aluminum
(A)

Aluminum
Shiny (AS)

Gold Anodized
(G)

Black Anodized
(B)

S.S. Brushed Satin
(S)

S.S. Polished
(P)



2 Edge Grips



2 Edge Grips



3 Edge Grips



3 Edge Grips



4 Edge Grips



4 Edge Grips

Adjustable Edge Grip Standoffs

6 Finishes – Stainless Steel For Indoor Use Only, Aluminum For Indoor and Outdoor Use



Diameter	Standoff	Material Thickness Accepted	Aluminum				Stainless Steel	
								
			Clear	Shiny	Gold	Black	Brushed	Polished
1/2"	1/2"	0" to 1/4"	EG050-050A	EG050-050AS	EG050-050G	EG050-050B	EG050-050S	EG050-050P
	3/4"	0" to 3/8"	EG050-075A	EG050-075AS	EG050-075G	EG050-075B	EG050-075S	EG050-075P
	1"	0" to 3/8"	EG050-100A	EG050-100AS	EG050-100G	EG050-100B	EG050-100S	EG050-100P
	1-1/2"	0" to 3/8"	EG050-150A	EG050-150AS	EG050-150G	EG050-150B	EG050-150S	EG050-150P
	2"	0" to 3/8"	EG050-200A	EG050-200AS	EG050-200G	EG050-200B	EG050-200S	EG050-200P
5/8"	1/2"	0" to 1/4"	EG058-050A	EG058-050AS	EG058-050G	EG058-050B	EG058-050S	EG058-050P
	3/4"	0" to 3/8"	EG058-075A	EG058-075AS	EG058-075G	EG058-075B	EG058-075S	EG058-075P
	1"	0" to 3/8"	EG058-100A	EG058-100AS	EG058-100G	EG058-100B	EG058-100S	EG058-100P
	1-1/2"	0" to 3/8"	EG058-150A	EG058-150AS	EG058-150G	EG058-150B	EG058-150S	EG058-150P
	2"	0" to 3/8"	EG058-200A	EG058-200AS	EG058-200G	EG058-200B	EG058-200S	EG058-200P
3/4"	1/2"	0" to 1/4"	EG075-050A	EG075-050AS	EG075-050G	EG075-050B	EG075-050S	EG075-050P
	3/4"	0" to 3/8"	EG075-075A	EG075-075AS	EG075-075G	EG075-075B	EG075-075S	EG075-075P
	1"	0" to 1/2"	EG075-100A	EG075-100AS	EG075-100G	EG075-100B	EG075-100S	EG075-100P
	1-1/2"	0" to 1/2"	EG075-150A	EG075-150AS	EG075-150G	EG075-150B	EG075-150S	EG075-150P
	2"	0" to 1/2"	EG075-200A	EG075-200AS	EG075-200G	EG075-200B	EG075-200S	EG075-200P
7/8"	1/2"	0" to 1/4"	EG087-050A	EG087-050AS	EG087-050G	EG087-050B	EG087-050S	EG087-050P
	3/4"	0" to 3/8"	EG087-075A	EG087-075AS	EG087-075G	EG087-075B	EG087-075S	EG087-075P
	1"	0" to 1/2"	EG087-100A	EG087-100AS	EG087-100G	EG087-100B	EG087-100S	EG087-100P
	1-1/2"	0" to 1/2"	EG087-150A	EG087-150AS	EG087-150G	EG087-150B	EG087-150S	EG087-150P
	2"	0" to 1/2"	EG087-200A	EG087-200AS	EG087-200G	EG087-200B	EG087-200S	EG087-200P
1"	1/2"	0" to 1/4"	EG100-050A	EG100-050AS	EG100-050G	EG100-050B	EG100-050S	EG100-050P
	3/4"	0" to 3/8"	EG100-075A	EG100-075AS	EG100-075G	EG100-075B	EG100-075S	EG100-075P
	1"	0" to 1/2"	EG100-100A	EG100-100AS	EG100-100G	EG100-100B	EG100-100S	EG100-100P
	1-1/2"	0" to 1/2"	EG100-150A	EG100-150AS	EG100-150G	EG100-150B	EG100-150S	EG100-150P
	2"	0" to 1/2"	EG100-200A	EG100-200AS	EG100-200G	EG100-200B	EG100-200S	EG100-200P
1-1/4"	1/2"	0" to 1/4"	EG125-050A	EG125-050AS	EG125-050G	EG125-050B	EG125-050S	EG125-050P
	3/4"	0" to 3/8"	EG125-075A	EG125-075AS	EG125-075G	EG125-075B	EG125-075S	EG125-075P
	1"	0" to 1/2"	EG125-100A	EG125-100AS	EG125-100G	EG125-100B	EG125-100S	EG125-100P
	1-1/2"	0" to 1/2"	EG125-150A	EG125-150AS	EG125-150G	EG125-150B	EG125-150S	EG125-150P
	2"	0" to 1/2"	EG125-200A	EG125-200AS	EG125-200G	EG125-200B	EG125-200S	EG125-200P
1-1/2"	1/2"	0" to 1/4"	EG150-050A	EG150-050AS	EG150-050G	EG150-050B	EG150-050S	EG150-050P
	3/4"	0" to 3/8"	EG150-075A	EG150-075AS	EG150-075G	EG150-075B	EG150-075S	EG150-075P
	1"	0" to 1/2"	EG150-100A	EG150-100AS	EG150-100G	EG150-100B	EG150-100S	EG150-100P
	1-1/2"	0" to 1/2"	EG150-150A	EG150-150AS	EG150-150G	EG150-150B	EG150-150S	EG150-150P
	2"	0" to 1/2"	EG150-200A	EG150-200AS	EG150-200G	EG150-200B	EG150-200S	EG150-200P
Rectangular Head (1/2" x 3/4")								
1/2"	3/8"	0" to 1/4"	REG050-038A	REG050-038AS	REG050-038G	REG050-038B	REG050-038S	REG050-038P

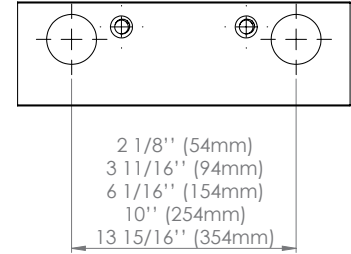


For 1/2" and 5/8" Diameter: Use for drywall: screw 2208 anchor ANC5, ANC5Z. Use for concrete: anchor 2208 and anchor: ANC1
 For 3/4" to 1-1/2" Diameter: Use for drywall: screw 2216 anchor ANC6, ANC6Z. Use for concrete: screw 2216 and anchor ANC2

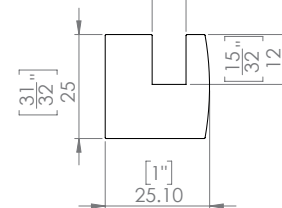
Non Adjustable Aluminum Sign Clamp

Aluminum Sign Clamps Are an Easy and Stylish Way to Display Your Most Important Items

Length	Aluminum	
		
	Chrome-Polished	Satin
3-1/8"	R100-80-CP	R100-80-ST
4-3/4"	R100-120-CP	R100-120-ST
7-1/16"	R100-180-CP	R100-180-ST
11"	R100-280-CP	R100-280-ST
14-5/16"	R100-380-CP	R100-380-ST



Material Accepted:
1/8" to 5/16"
(3.0mm to 8.0mm)



i Thickness of material accepted: 1/8" to 5/16"

Use for drywall: Combination of 2 x screw 2216 and 2 x anchor ANC6 or 2 x ANC6Z

Use for concrete: Combination of 2 x screw 2216 and 2 x anchor ANC2



Visit website for
technical information

5 Different Sizes





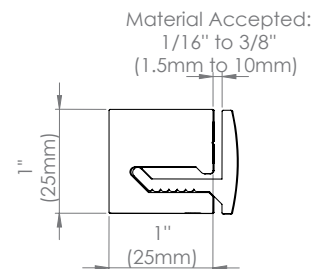
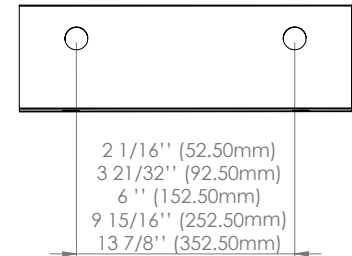
Visit website for
technical information

Adjustable Aluminum Sign Clamp

Aluminum Sign Clamps Are an Easy and Stylish Way to Display Your Most Important Items

Length	Aluminum	
	Chrome-Polished	Satin
3-1/8"	R100A-80-CP	R100A-80-ST
4-3/4"	R100A-120-CP	R100A-120-ST
7-1/16"	R100A-180-CP	R100A-180-ST
11"	R100A-280-CP	R100A-280-ST
14-5/16"	R100A-380-CP	R100A-380-ST

- i** Thickness of material accepted: 1/16" to 3/8"
 Use for drywall: Combination of 2 × screw 2216 and 2 × anchor ANC6 or 2 × ANC6Z
 Use for concrete: Combination of 2 × screw 2216 and 2 × anchor ANC2



5 Different Sizes





Caps and Barrels

Caps



p40

Multi-Mount Hardware



p43

Barrels



p44

Aluminum Hubs



p51

Washers



p48

Hardware for Customizable Standoffs



p52

Aluminum Square Caps and Barrels



p48

Tools for Customizable Standoffs



p57



Caps

17 Finishes – Outdoor / Indoor Use

- Wall mounted standoffs
- Designed from high quality materials
- Stainless steel and aluminum for indoor and outdoor use
- 17 different finishes
- 3 different caps



Rounded



Locking



Standard

17 Different Finishes











*Available upon request minimum order quantity 100



Caps

17 Finishes, Indoor and Outdoor Use

Diameter	Cap Height	Type	Thread	Aluminum						
										
				Clear	Shiny	Black	Bronze	Gold	Champagne	Blue
1/4"	5/32"	Standard	#6-32	CAP025A	CAP025AS*	CAP025B	CAP025AB	CAP025G	CAP025BR*	CAP025BL*
3/8"	1/4"	Standard	#10-24	CAP038A	CAP038AS	CAP038B	CAP038AB	CAP038G	CAP038BR*	CAP038BL*
	1/4"	Locking	#10-24	CAP038LA	CAP038LAS	CAP038LB	CAP038LAB	CAP038LG	CAP038LBR*	CAP038LBL*
1/2"	1/4"	Standard	#10-24	CAP050A	CAP050AS*	CAP050B	CAP050AB	CAP050G	CAP050BR*	CAP050BL*
	1/4"	Locking	#10-24	CAP050LA*	CAP050LAS*	CAP050LB*	CAP050LAB*	CAP050LG*	CAP050LBR*	CAP050LBL*
5/8"	1/4"	Standard	1/4-20	CAP058025A	CAP058025AS*	CAP058025B	CAP058025AB*	CAP058025G	CAP058025BR*	CAP058025BL*
	5/16"	Standard	5/16-18	CAP058A	CAP058AS*	CAP058B	CAP058AB*	CAP058G	CAP058BR*	CAP058BL*
	1/4"	Locking	1/4-20	CAP058025LA	CAP058025LAS*	CAP058025LB	CAP058025LAB*	CAP058025LG	CAP058025LBR*	CAP058025LBL*
	5/16"	Locking	5/16-18	CAP058LA	CAP058LAS*	CAP058LAB	CAP058LAB*	CAP058LG	CAP058LBR*	CAP058LBL*
3/4"	1/4"	Standard	1/4-20	CAP075025A	CAP075025AS*	CAP075025B	CAP075025AB*	CAP075025G	CAP075025BR*	CAP075025BL*
	3/8"	Standard	5/16-18	CAP075A	CAP075AS*	CAP075B	CAP075AB*	CAP075G	CAP075BR*	CAP075BL*
	1/4"	Locking	1/4-20	CAP075025LA	CAP075025LAS*	CAP075025LB	CAP075025LAB*	CAP075025LG	CAP075025LBR*	CAP075025LBL*
	3/8"	Locking	5/16-18	CAP075LA	CAP075LAS*	CAP075LB	CAP075LAB*	CAP075LG	CAP075LBR*	CAP075LBL*
7/8"	1/4"	Standard	1/4-20	CAP078025A	CAP078025AS*	CAP078025B	CAP078025AB*	CAP078025G	CAP078025BR*	CAP078025BL*
	1/4"	Locking	1/4-20	CAP078025LA	CAP078025LAS*	CAP078025LB	CAP078025LAB*	CAP078025LG	CAP078025LBR*	CAP078025LBL*
1"	1/4"	Standard	1/4-20	CAP100025A	CAP100025AS*	CAP100025B	CAP100025AB*	CAP100025G	CAP100025BR*	CAP100025BL*
	3/8"	Standard	5/16-18	CAP100A	CAP100AS*	CAP100B	CAP100AB	CAP100G	CAP100BR*	CAP100BL*
	1/4"	Locking	1/4-20	CAP100025LA	CAP100025LAS*	CAP100025LB	CAP100025LAB*	CAP100025LG	CAP100025LBR*	CAP100025LBL*
	5/16"	Locking	5/16-18	CAP100LA	CAP100LAS*	CAP100LB	CAP100LAB*	CAP100LG	CAP100LBR*	CAP100LBL*
	1/8"	Rounded	5/16-18	CAP100RA	CAP100RAS*	CAP100RB	CAP100RAB*	CAP100RG	CAP100RBR*	CAP100RBL*
1-1/4"	1/2"	Standard	5/16-18	CAP125A	CAP125AS*	CAP125B	CAP125AB*	CAP125G	CAP125BR*	CAP125BL*
	5/16"	Locking	5/16-18	CAP125LA	CAP125LAS*	CAP125LB	CAP125LAB*	CAP125LG	CAP125LBR*	CAP125LBL*
	1/8"	Rounded	5/16-18	CAP125RA	CAP125RAS*	CAP125RB	CAP125RAB*	CAP125RG	CAP125RBR*	CAP125RBL*
1-1/2"	1/2"	Standard	5/16-18	CAP150A	CAP150AS*	CAP150B	CAP150AB*	CAP150G	CAP150BR*	CAP150BL*
	5/16"	Locking	5/16-18	CAP150LA	CAP150LAS*	CAP150LB	CAP150LAB*	CAP150LG	CAP150LBR*	CAP150LBL*
	1/8"	Rounded	5/16-18	CAP150RA	CAP150RAS*	CAP150RB	CAP150RAB*	CAP150RG	CAP150RBR*	CAP150RBL*
2"	1/2"	Standard	5/16-18	CAP200A	CAP200AS*	CAP200B	CAP200AB*	CAP200G	CAP200BR*	CAP200BL*
	1/2"	Locking	5/16-18	CAP200LA	CAP200LAS*	CAP200LB	CAP200LAB*	CAP200LG	CAP200LBR*	CAP200LBL*

 *Available upon request minimum order quantity 100



IDEAL FOR
MULTI-MOUNT
PROJECTS!



								Stainless Steel 304	
Copper	Green	Dark Green	Titanium	Pink	Purple	Red	Tan	Brushed	Polished
CAP025CP*	CAP025GN*	CAP025DGN*	CAP025T*	CAP025RP*	CAP025PL*	CAP025RD*	CAP025TAN*	CAP025SS	CAP025SP
CAP038CP* CAP038LCP*	CAP038GN* CAP038LGN*	CAP038DGN* CAP038LDGN*	CAP038T* CAP038LT*	CAP038RP* CAP038LRP*	CAP038PL* CAP038LPL*	CAP038RD* CAP038LRD*	CAP038TAN* CAP038LTAN*	CAP038LSS	CAP038LSP
CAP050CP*	CAP050GN*	CAP050DGN*	CAP050T*	CAP050RP*	CAP050PL*	CAP050RD*	CAP050TAN*	CAP050SS	CAP050SP
CAP050LCP*	CAP050LGN*	CAP050LDGN*	CAP050LT*	CAP050LRP*	CAP050LPL*	CAP050LRD*	CAP050LTAN*	CAP050LSS	CAP050LSP*
CAP058025CP*	CAP058025GN*	CAP058025DGN*	CAP058025T*	CAP058025RP*	CAP058025PL*	CAP058025RD*	CAP058025TAN*	CAP058025SS	CAP058025SP
CAP058CP*	CAP058GN*	CAP058DGN*	CAP058T*	CAP058RP*	CAP058PL*	CAP058RD*	CAP058TAN*	CAP058SS	CAP058SP
CAP058025LCP*	CAP058025LGN*	CAP058025LDGN*	CAP058025LT*	CAP058025LRP*	CAP058025LPL*	CAP058025LRD*	CAP058025LTAN*	CAP058025LSS	CAP058025LSP
CAP058LCP*	CAP058LGN*	CAP058LDGN*	CAP058LT*	CAP058LRP*	CAP058LPL*	CAP058LRD*	CAP058LTAN*	CAP058LSS	CAP058LSP
CAP075025CP*	CAP075025GN*	CAP075025DGN*	CAP075025T*	CAP075025RP*	CAP075025PL*	CAP075025RD*	CAP075025TAN*	CAP075025SS	CAP075025SP
CAP075CP*	CAP075GN*	CAP075DGN*	CAP075T*	CAP075RP*	CAP075PL*	CAP075RD*	CAP075TAN*	CAP075SS	CAP075SP
CAP075025LCP*	CAP075025LGN*	CAP075025LDGN*	CAP075025LT*	CAP075025LRP*	CAP075025LPL*	CAP075025LRD*	CAP075025LTAN*	CAP075025LSS	CAP075025LSP
CAP075LCP*	CAP075LGN*	CAP075LDGN*	CAP075LT*	CAP075LRP*	CAP075LPL*	CAP075LRD*	CAP075LTAN*	CAP075LSS	CAP075LSP
CAP078025CP*	CAP078025GN*	CAP078025DGN*	CAP078025T*	CAP078025RP*	CAP078025PL*	CAP078025RD*	CAP078025TAN*	CAP078025SS	CAP078025SP
CAP078025LCP*	CAP078025LGN*	CAP078025LDGN*	CAP078025LT*	CAP078025LRP*	CAP078025LPL*	CAP078025LRD*	CAP078025LTAN*	CAP078025LSS	CAP078025LSP
CAP100025CP*	CAP100025GN*	CAP100025DGN*	CAP100025T*	CAP100025LRP*	CAP100025LPL*	CAP100025LRD*	CAP100025LTAN*	CAP100025SS	CAP100025SP
CAP100CP*	CAP100GN*	CAP100DGN*	CAP100T*	CAP100LRP*	CAP100LPL*	CAP100LRD*	CAP100LTAN*	CAP100SS	CAP100SP
CAP100025LCP*	CAP100025LGN*	CAP100025LDGN*	CAP100025LT*	CAP100LRP*	CAP100RPL*	CAP100RRD*	CAP100RTAN*	CAP100025LSS	CAP100025LSP
CAP100LCP*	CAP100LGN*	CAP100LDGN*	CAP100LT*	CAP100025RP*	CAP100025PL*	CAP100025RD*	CAP100025TAN*	CAP100LSS	CAP100LSP
CAP100RCP*	CAP100RGN*	CAP100RDGN*	CAP100RT*	CAP100RP*	CAP100PL*	CAP100RD*	CAP100TAN*	CAP100RSS	CAP100RSP
CAP125CP*	CAP125GN*	CAP125DGN*	CAP125T*	CAP125RP*	CAP125PL*	CAP125RD*	CAP125TAN*	CAP125SS	CAP125SP
CAP125LCP*	CAP125LGN*	CAP125LDGN*	CAP125LT*	CAP125LRP*	CAP125LPL*	CAP125LRD*	CAP125LTAN*	CAP125LSS	CAP125LSP
CAP125RCP*	CAP125RGN*	CAP125RDGN*	CAP125RT*	CAP125RP*	CAP125RPL*	CAP125RRD*	CAP125RTAN*	CAP125RSS	CAP125RSP
CAP150CP*	CAP150GN*	CAP150DGN*	CAP150T*	CAP150RP*	CAP150PL*	CAP150RD*	CAP150TAN*	CAP150SS	CAP150SP
CAP150LCP*	CAP150LGN*	CAP150LDGN*	CAP150LT*	CAP150LRP*	CAP150LPL*	CAP150LRD*	CAP150LTAN*	CAP150LSS	CAP150LSP
CAP150RCP*	CAP150RGN*	CAP150RDGN*	CAP150RT*	CAP150RP*	CAP150RPL*	CAP150RRD*	CAP150RTAN*	CAP150RSS	CAP150RSP
CAP200CP*	CAP200GN*	CAP200DGN*	CAP200T*	CAP200RP*	CAP200PL*	CAP200RD*	CAP200TAN*	CAP200SS	CAP200SP
CAP200LCP*	CAP200LGN*	CAP200LDGN*	CAP200LT*	CAP200LRP*	CAP200LPL*	CAP200LRD*	CAP200LTAN*	CAP200LSS	CAP200LSP*



Caps

17 Finishes – Indoor and Outdoor Use

Ideal For Multi-Mount Projects!

• 3 Different Shapes



Rounded
Smooth shape to get small relief



Locking
As regular but with hole to use tightening tool



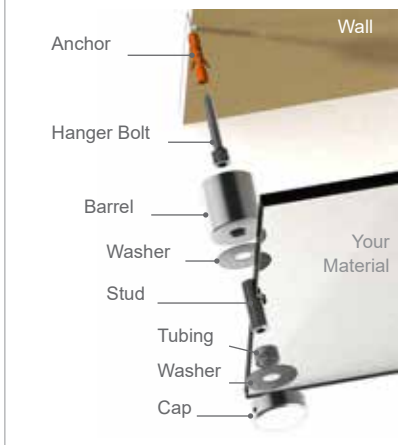
Standard
Regular cap

- 2 Materials: stainless steel and aluminum
- 17 Finishes: 15 for aluminum and 2 for stainless steel
- 8 Diameters: from 1/4" to 2"
- 4 Threads: #6-32, #10-24, 1/4-20 & 5/16-18
- Other open requests

**Customize your very own standoff!
Mix and match between: Finish, Color, and Sizes**

- Choose your cap (page: 39)
- Determine stud length (page: 50)
- Choose your barrel (page: 45)
- Add your washers (page: 46)
- Don't forget your combination screws and anchors (pages 51,52,53)

Assembly Instructions

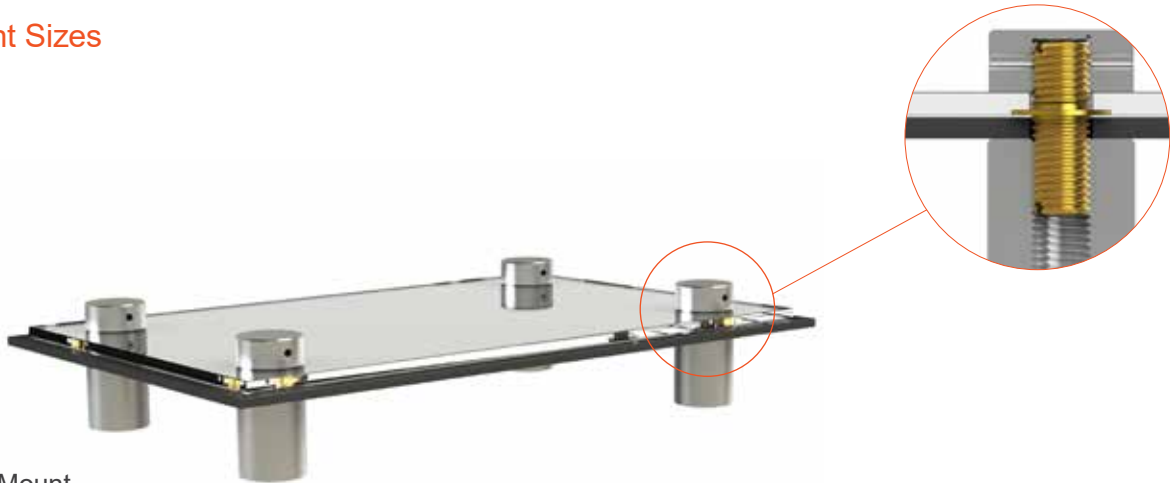


1. Insert anchor in wall
2. Add the combination screw to anchor
3. Screw barrel into combination screw
4. Screw stud in barrel and add one washer
5. Place your material on the stud and add another washer
6. Screw cap onto stud
7. Take cap/stud, go through washers, material and screw into barrel

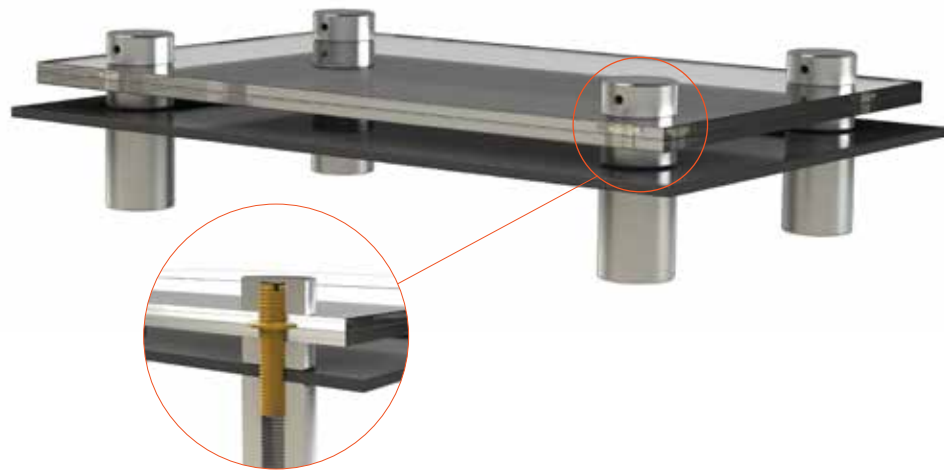


Multi-Mount Hardware

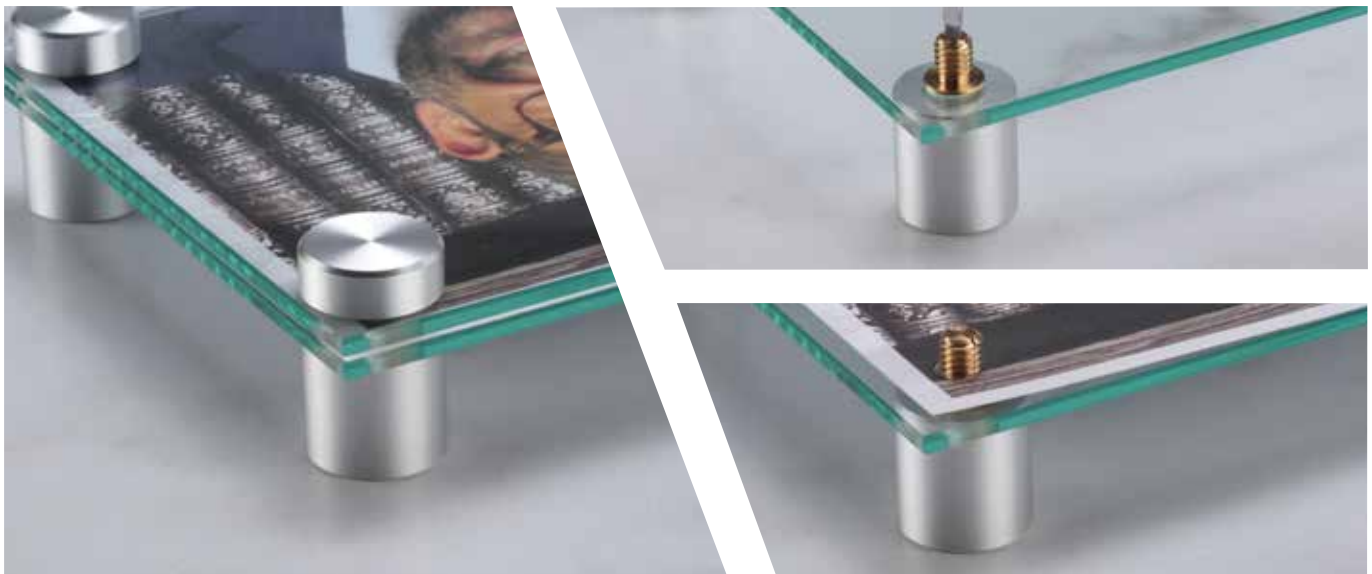
17 Different Sizes



Single-Mount



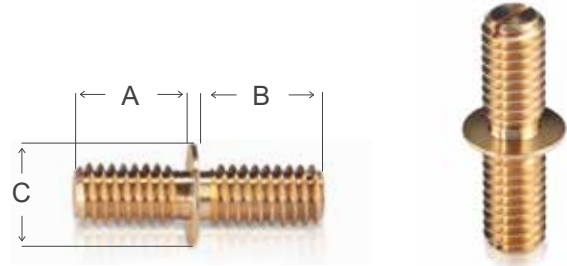
Multi-Mount



Multi-Mount Hardware

17 Different Sizes

- Easily change out sign designs
- Use with our customizable line
- Pick the correct barrel
- Pick the correct hardware for the first layer
- Pick the correct hardware for the second layer
- Thread 1/4-20 and 5/16-18



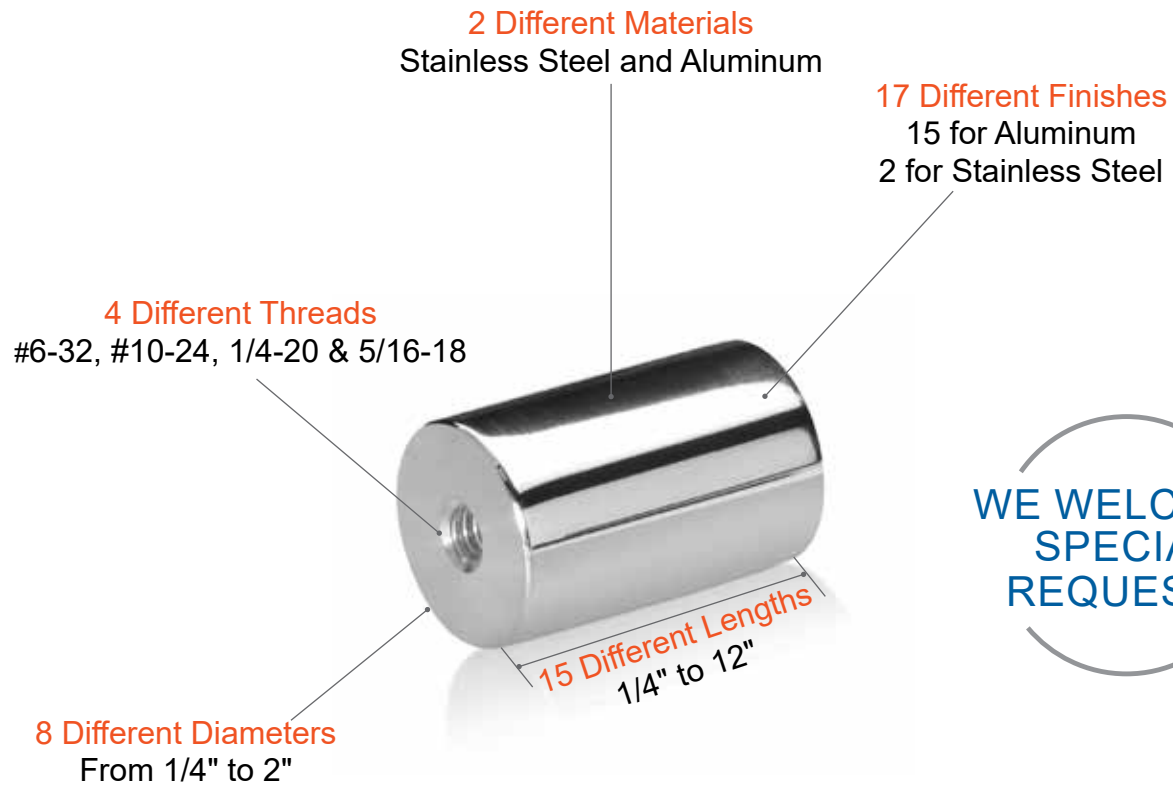
Length "A"	Length "B"	Diameter "C"	Material	Item #	
				1/4-20	5/16-18
1/8"	1/8"	1/2"	Brass	MMH1420-01	MMH516-01
1/8"	1/4"			MMH1420-02	MMH516-02
1/8"	5/16"			MMH1420-03	MMH516-03
1/8"	3/8"			MMH1420-04	MMH516-04
1/8"	1/2"			MMH1420-05	MMH516-05
1/4"	1/4"			MMH1420-06	MMH516-06
1/4"	5/16"			MMH1420-07	MMH516-07
1/4"	3/8"			MMH1420-08	MMH516-08
1/4"	1/2"			MMH1420-09	MMH516-09
5/16"	5/16"			MMH1420-10	MMH516-10
5/16"	3/8"			MMH1420-11	MMH516-11
5/16"	1/2"			MMH1420-12	MMH516-12
3/8"	3/8"			MMH1420-13	MMH516-13
3/8"	1/2"			MMH1420-14	MMH516-14

Technical Information	Thread Size	Material	Length	Item #
	5/16-18 to 1/4-20	Brass	7/8"	CSC1
	5/16-18 to 1/4-20		1-5/16"	CSC2
	5/16-18 to 1/4-20		1-13/16"	CSC3
	5/16-18 to 1/4-20		9/16"	CSC4
	5/16-18 to 1/4-20		3-1/16"	CSC5

Barrels

Find diameter 1/4" to 3/4" in fold out →

17 Finishes – Indoor and Outdoor Use



WE WELCOME
SPECIAL
REQUESTS











Barrels

1/4" to 3/4" Diameter Barrels

17 Finishes – Indoor and Outdoor Use

For 7/8" to 2" diameter barrels go to foldout on page 45 on the next spread.

Diameter	Barrel Height	Thread	Tapped Length	Aluminum						
										
				Clear	Shiny	Black	Gold	Bronze	Champagne	Blue
1/4"	1/4"	#6-32	Thru	S025-025A	S025-025AS*	S025-025B	S025-025G	S025-025AB*	S025-025BR*	S025-025BL*
	1/2"	#6-32	Thru	S025-050A	S025-050AS*	S025-050B	S025-050G	S025-050AB*	S025-050BR*	S025-050BL*
	3/4"	#6-32	Thru	S025-075A	S025-075AS*	S025-075B	S025-075G	S025-075AB*	S025-075BR*	S025-075BL*
	1"	#6-32	Thru	S025-100A	S025-100AS*	S025-100B	S025-100G	S025-100AB*	S025-100BR*	S025-100BL*
3/8"	1/4"	#10-24	Thru	S038-025A	S038-025AS*	S038-025B	S038-025G*	S038-025AB*	S038-025BR*	S038-025BL*
	1/2"	#10-24	Thru	S038-050A	S038-050AS*	S038-050B	S038-050G	S038-050AB*	S038-050BR*	S038-050BL*
	3/4"	#10-24	Thru	S038-075A	S038-075AS*	S038-075B	S038-075G	S038-075AB*	S038-075BR*	S038-075BL*
	1"	#10-24	Thru	S038-100A	S038-100AS*	S038-100B	S038-100G	S038-100AB*	S038-100BR*	S038-100BL*
1/2"	1/2"	#10-24	Thru	S050-050A	S050-050AS*	S050-050B	S050-050G	S050-050AB*	S050-050BR*	S050-050BL*
	3/4"	#10-24	Thru	S050-075A	S050-075AS*	S050-075B	S050-075G	S050-075AB*	S050-075BR*	S050-075BL*
	1"	#10-24	Thru	S050-100A	S050-100AS*	S050-100B	S050-100G	S050-100AB*	S050-100BR*	S050-100BL*
	1-1/2"	#10-24	Thru	S050-150A	S050-150AS*	S050-150B	S050-150G	S050-150AB*	S050-150BR*	S050-150BL*
	2"	#10-24	Thru	S050-200A	S050-200AS*	S050-200B	S050-200G	S050-200AB*	S050-200BR*	S050-200BL*
	5"	#10-24	1" Both Ends	S050-500A	S050-500AS*	S050-500B*	S050-500G*	S050-500AB*	S050-500BR*	S050-500BL*
	7"	#10-24	1" Both Ends	S050-700A	S050-700AS*	S050-700B*	S050-700G*	S050-700AB*	S050-700BR*	S050-700BL*
5/8"	1/4"	1/4-20	Thru	S058-02525A	S058-02525AS*	S058-02525B	S058-02525G	S058-02525AB*	S058-02525BR*	S058-02525BL*
	1/4"	5/16-18	Thru	S058-025A	S058-025AS*	S058-025B	S058-025G	S058-025AB*	S058-025BR*	S058-025BL*
	1/2"	1/4-20	Thru	S058-05025A	S058-05025AS*	S058-05025B	S058-05025G	S058-05025AB*	S058-05025BR*	S058-05025BL*
	1/2"	5/16-18	Thru	S058-050A	S058-050AS*	S058-050B	S058-050G	S058-050AB*	S058-050BR*	S058-050BL*
	3/4"	1/4-20	Thru	S058-07525A	S058-07525AS*	S058-07525B	S058-07525G	S058-07525AB*	S058-07525BR*	S058-07525BL*
	3/4"	5/16-18	Thru	S058-075A	S058-075AS*	S058-075B	S058-075G	S058-075AB*	S058-075BR*	S058-075BL*
	1"	1/4-20	Thru	S058-10025A	S058-10025AS*	S058-10025B	S058-10025G	S058-10025AB*	S058-10025BR*	S058-10025BL*
	1"	5/16-18	Thru	S058-100A	S058-100AS*	S058-100B	S058-100G	S058-100AB*	S058-100BR*	S058-100BL*
	1-1/2"	1/4-20	Thru	S058-15025A	S058-15025AS*	S058-15025B	S058-15025G	S058-15025AB*	S058-15025BR*	S058-15025BL*
	1-1/2"	5/16-18	Thru	S058-150A	S058-150AS*	S058-150B	S058-150G	S058-150AB*	S058-150BR*	S058-150BL*
	2"	1/4-20	Thru	S058-20025A	S058-20025AS*	S058-20025B	S058-20025G	S058-20025AB*	S058-20025BR*	S058-20025BL*
	2"	5/16-18	Thru	S058-200A	S058-200AS*	S058-200B	S058-200G	S058-200AB*	S058-200BR*	S058-200BL*
	3"	1/4-20	1" Both Ends	S058-30025A	S058-30025AS*	S058-30025B	S058-30025G	S058-30025AB*	S058-30025BR*	S058-30025BL*
	3"	5/16-18	1" Both Ends	S058-300A	S058-300AS*	S058-300B	S058-300G	S058-300AB*	S058-300BR*	S058-300BL*
3/4"	1/2"	1/4-20	Thru	S075-05025A	S075-05025AS*	S075-05025B	S075-05025G	S075-05025AB*	S075-05025BR*	S075-05025BL*
	1/2"	5/16-18	Thru	S075-050A	S075-050AS*	S075-050B	S075-050G	S075-050AB*	S075-050BR*	S075-050BL*
	3/4"	5/16-18	Thru	S075-075A	S075-075AS*	S075-075B	S075-075G	S075-075AB*	S075-075BR*	S075-075BL*
	1"	1/4-20	Thru	S075-10025A	S075-10025AS*	S075-10025B	S075-10025G	S075-10025AB*	S075-10025BR*	S075-10025BL*
	1"	5/16-18	Thru	S075-100A	S075-100AS*	S075-100B	S075-100G	S075-100AB*	S075-100BR*	S075-100BL*
	1-1/2"	1/4-20	Thru	S075-15025A	S075-15025AS*	S075-15025B	S075-15025G	S075-15025AB*	S075-15025BR*	S075-15025BL*
	1-1/2"	5/16-18	Thru	S075-150A	S075-150AS*	S075-150B	S075-150G	S075-150AB*	S075-150BR*	S075-150BL*
	2"	1/4-20	Thru	S075-20025A	S075-20025AS*	S075-20025B	S075-20025G	S075-20025AB*	S075-20025BR*	S075-20025BL*
	2"	5/16-18	Thru	S075-200A	S075-200AS*	S075-200B	S075-200G	S075-200AB*	S075-200BR*	S075-200BL*
	2-1/2"	5/16-18	1" Both Ends	S075-250A	S075-250AS*	S075-250B*	S075-250G*	S075-250AB*	S075-250BR*	S075-250BL*
	2-3/4"	5/16-18	1" Both Ends	S075-275A	S075-275AS*	S075-275B*	S075-275G*	S075-275AB*	S075-275BR*	S075-275BL*
	3"	1/4-20	1" Both Ends	S075-30025A	S075-30025AS*	S075-30025B	S075-30025G	S075-30025AB*	S075-30025BR*	S075-30025BL*
	3"	5/16-18	1" Both Ends	S075-300A	S075-300AS*	S075-300B	S075-300G	S075-300AB*	S075-300BR*	S075-300BL*
	3-1/4"	5/16-18	1" Both Ends	S075-325A	S075-325AS*	S075-325B*	S075-325G*	S075-325AB*	S075-325BR*	S075-325BL*
4"	5/16-18	1" Both Ends	S075-400A	S075-400AS*	S075-400B*	S075-400G*	S075-400AB*	S075-400BR*	S075-400BL*	

 *Available upon request minimum order quantity 100



IDEAL FOR
MULTI-MOUNT
PROJECTS!



								Stainless Steel	
Copper	Green	Dark Green	Titanium	Pink	Purple	Red	Tan	Brushed	Polished
S025-025CP*	S025-025GN*	S025-025DGN*	S025-025T*	S025-025RP*	S025-025PL*	S025-025RD*	S025-025TAN*	S025-025SS	S025-025SP
S025-050CP*	S025-050GN*	S025-050DGN*	S025-050T*	S025-050RP*	S025-050PL*	S025-050RD*	S025-050TAN*	S025-050SS	S025-050SP
S025-075CP*	S025-075GN*	S025-075DGN*	S025-075T*	S025-075RP*	S025-075PL*	S025-075RD*	S025-075TAN*	S025-075SS	S025-075SP*
S025-100CP*	S025-100GN*	S025-100DGN*	S025-100T*	S025-100RP*	S025-100PL*	S025-100RD*	S025-100TAN*	S025-100SS	S025-100SP*
S038-025CP*	S038-025GN*	S038-025DGN*	S038-025T*	S038-025RP*	S038-025PL*	S038-025RD*	S038-025TAN*	S038-025SS*	S038-025SP*
S038-050CP*	S038-050GN*	S038-050DGN*	S038-050T*	S038-050RP*	S038-050PL*	S038-050RD*	S038-050TAN*	S038-050SS	S038-050SP
S038-075CP*	S038-075GN*	S038-075DGN*	S038-075T*	S038-075RP*	S038-075PL*	S038-075RD*	S038-075TAN*	S038-075SS	S038-075SP
S038-100CP*	S038-100GN*	S038-100DGN*	S038-100T*	S038-100RP*	S038-100PL*	S038-100RD*	S038-100TAN*	S038-100SS	S038-100SP
S050-050CP*	S050-050GN*	S050-050DGN*	S050-050T*	S050-050RP*	S050-050PL*	S050-050RD*	S050-050TAN*	S050-050SS	S050-050SP
S050-075CP*	S050-075GN*	S050-075DGN*	S050-075T*	S050-075RP*	S050-075PL*	S050-075RD*	S050-075TAN*	S050-075SS	S050-075SP*
S050-100CP*	S050-100GN*	S050-100DGN*	S050-100T*	S050-100RP*	S050-100PL*	S050-100RD*	S050-100TAN*	S050-100SS	S050-100SP*
S050-150CP*	S050-150GN*	S050-150DGN*	S050-150T*	S050-150RP*	S050-150PL*	S050-150RD*	S050-150TAN*	S050-150SS	S050-150SP*
S050-200CP*	S050-200GN*	S050-200DGN*	S050-200T*	S050-200RP*	S050-200PL*	S050-200RD*	S050-200TAN*	S050-200SS	S050-200SP*
S050-500CP*	S050-500GN*	S050-500DGN*	S050-500T*	S050-500RP*	S050-500PL*	S050-500RD*	S050-500TAN*	S050-500SS*	S050-500SP*
S050-700CP*	S050-700GN*	S050-700DGN*	S050-700T*	S050-700RP*	S050-700PL*	S050-700RD*	S050-700TAN*	S050-700SS*	S050-700SP*
S058-02525CP*	S058-02525GN*	S058-02525DGN*	S058-02525T*	S058-02525RP*	S058-02525PL*	S058-02525RD*	S058-02525TAN*	S058-02525SS	S058-02525SP
S058-025CP*	S058-025GN*	S058-025DGN*	S058-025T*	S058-025RP*	S058-025PL*	S058-025RD*	S058-025TAN*	S058-025SS	S058-025SP
S058-05025CP*	S058-05025GN*	S058-05025DGN*	S058-05025T*	S058-05025RP*	S058-05025PL*	S058-05025RD*	S058-05025TAN*	S058-05025SS	S058-05025SP
S058-050CP*	S058-050GN*	S058-050DGN*	S058-050T*	S058-050RP*	S058-050PL*	S058-050RD*	S058-050TAN*	S058-050SS	S058-050SP
S058-07525CP*	S058-07525GN*	S058-07525DGN*	S058-07525T*	S058-07525RP*	S058-07525PL*	S058-07525RD*	S058-07525TAN*	S058-07525SS	S058-07525SP
S058-075CP*	S058-075GN*	S058-075DGN*	S058-075T*	S058-075RP*	S058-075PL*	S058-075RD*	S058-075TAN*	S058-075SS	S058-075SP
S058-10025CP*	S058-10025GN*	S058-10025DGN*	S058-10025T*	S058-10025RP*	S058-10025PL*	S058-10025RD*	S058-10025TAN*	S058-10025SS	S058-10025SP
S058-100CP*	S058-100GN*	S058-100DGN*	S058-100T*	S058-100RP*	S058-100PL*	S058-100RD*	S058-100TAN*	S058-100SS	S058-100SP
S058-15025CP*	S058-15025GN*	S058-15025DGN*	S058-15025T*	S058-15025RP*	S058-15025PL*	S058-15025RD*	S058-15025TAN*	S058-15025SS	S058-15025SP
S058-150CP*	S058-150GN*	S058-150DGN*	S058-150T*	S058-150RP*	S058-150PL*	S058-150RD*	S058-150TAN*	S058-150SS	S058-150SP
S058-20025CP*	S058-20025GN*	S058-20025DGN*	S058-20025T*	S058-20025RP*	S058-20025PL*	S058-20025RD*	S058-20025TAN*	S058-20025SS	S058-20025SP
S058-200CP*	S058-200GN*	S058-200DGN*	S058-200T*	S058-200RP*	S058-200PL*	S058-200RD*	S058-200TAN*	S058-200SS	S058-200SP
S058-30025CP*	S058-30025GN*	S058-30025DGN*	S058-30025T*	S058-30025RP*	S058-30025PL*	S058-30025RD*	S058-30025TAN*	S058-30025SS	S058-30025SP
S058-300CP*	S058-300GN*	S058-300DGN*	S058-300T*	S058-300RP*	S058-300PL*	S058-300RD*	S058-300TAN*	S058-300SS	S058-300SP
S075-05025CP*	S075-05025GN*	S075-05025DGN*	S075-05025T*	S075-05025RP*	S075-05025PL*	S075-05025RD*	S075-05025TAN*	S075-05025SS	S075-05025SP
S075-050CP*	S075-050GN*	S075-050DGN*	S075-050T*	S075-050RP*	S075-050PL*	S075-050RD*	S075-050TAN*	S075-050SS	S075-050SP
S075-075CP*	S075-075GN*	S075-075DGN*	S075-075T*	S075-075RP*	S075-075PL*	S075-075RD*	S075-075TAN*	S075-075SS	S075-075SP
S075-10025CP*	S075-10025GN*	S075-10025DGN*	S075-10025T*	S075-10025RP*	S075-10025PL*	S075-10025RD*	S075-10025TAN*	S075-10025SS	S075-10025SP
S075-100CP*	S075-100GN*	S075-100DGN*	S075-100T*	S075-100RP*	S075-100PL*	S075-100RD*	S075-100TAN*	S075-100SS	S075-100SP
S075-15025CP*	S075-15025GN*	S075-15025DGN*	S075-15025T*	S075-15025RP*	S075-15025PL*	S075-15025RD*	S075-15025TAN*	S075-15025SS	S075-15025SP
S075-150CP*	S075-150GN*	S075-150DGN*	S075-150T*	S075-150RP*	S075-150PL*	S075-150RD*	S075-150TAN*	S075-150SS	S075-150SP
S075-20025CP*	S075-20025GN*	S075-20025DGN*	S075-20025T*	S075-20025RP*	S075-20025PL*	S075-20025RD*	S075-20025TAN*	S075-20025SS	S075-20025SP
S075-200CP*	S075-200GN*	S075-200DGN*	S075-200T*	S075-200RP*	S075-200PL*	S075-200RD*	S075-200TAN*	S075-200SS	S075-200SP
S075-250CP*	S075-250GN*	S075-250DGN*	S075-250T*	S075-250RP*	S075-250PL*	S075-250RD*	S075-250TAN*	S075-250SS*	S075-250SP*
S075-275CP*	S075-275GN*	S075-275DGN*	S075-275T*	S075-275RP*	S075-275PL*	S075-275RD*	S075-275TAN*	S075-275S*	S075-275SP*
S075-30025CP*	S075-30025GN*	S075-30025DGN*	S075-30025T*	S075-30025RP*	S075-30025PL*	S075-30025RD*	S075-30025TAN*	S075-30025SS	S075-30025SP
S075-300CP*	S075-300GN*	S075-300DGN*	S075-300T*	S075-300RP*	S075-300PL*	S075-300RD*	S075-300TAN*	S075-300SS	S075-300SP*
S075-325CP*	S075-325GN*	S075-325DGN*	S075-325T*	S075-325RP*	S075-325PL*	S075-325RD*	S075-325TAN*	S075-325SS*	S075-325SP*
S075-400CP*	S075-400GN*	S075-400DGN*	S075-400T*	S075-400RP*	S075-400PL*	S075-400RD*	S075-400TAN*	S075-400SS*	S075-400SP*

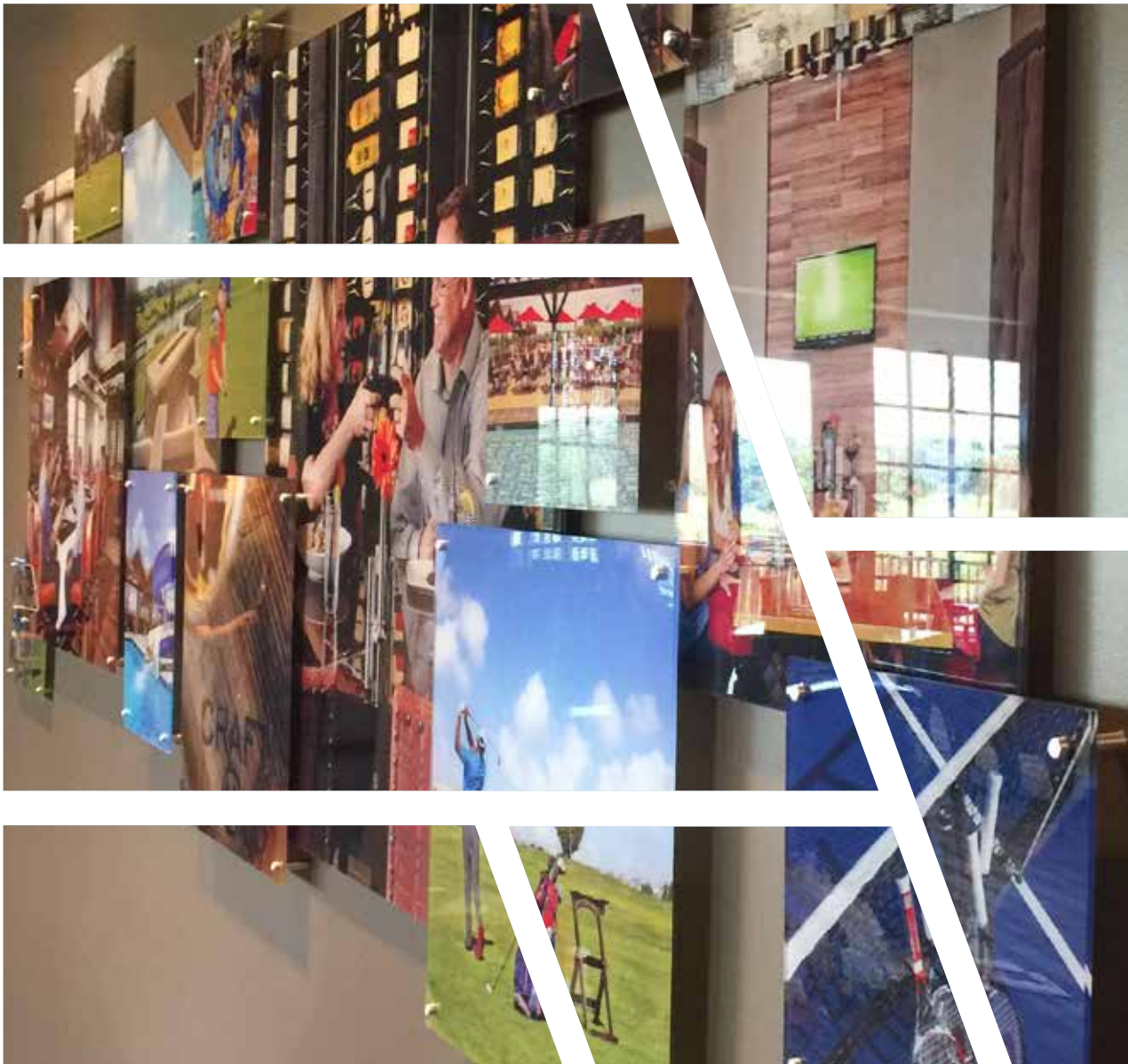


- ◆ Bulk Quantity?
- ◆ Personalized Designs?
- ◆ Special Requests?

Contact us today!

Our Signage Hardware Experts Will be Delighted To Assist You!

1 (813) 938-6025 • sales@mbs-standoffs.com



Barrels

17 Finishes – Indoor and Outdoor Use

Customize your very own standoff!

Mix and match between: Finish, Color, and Sizes

- Choose your cap



- Choose your barrel



- Determine stud length (page 50)
- Add your washers (page 46)
- Don't forget your combination screws and anchors (page 51)



Assembly Instructions

The diagram shows the assembly process for an MBS standoff. It includes labels for the following components: Anchor, Hanger Bolt, Barrel, Washer, Stud, Tubing, Washer, and Cap. The steps are as follows:








1. Insert anchor into wall
2. Add the combination screw to anchor
3. Screw barrel into combination screw
4. Screw stud in barrel and add one washer
5. Place your material on the stud and add another washer
6. Screw cap onto stud
7. Take cap/stud, go through washers, material and screw into barrel

Barrels

7/8" to 2" Diameter Barrels

For 1/4" to 3/4" diameter barrels go to foldout page 43 on the previous spread.

17 Finishes, Indoor and Outdoor Use











Diameter	Barrel Height	Thread	Tapped Length	Aluminum						
										
				Clear	Shiny	Black	Gold	Bronze	Champagne	Blue
7/8"	1/2"	1/4-20	Thru	S078-05025A	S078-05025AS*	S078-05025B	S078-05025G	S078-05025AB*	S078-05025BR*	S078-05025BL*
	1"	1/4-20	Thru	S078-10025A	S078-10025AS*	S078-10025B	S078-10025G	S078-10025AB*	S078-10025BR*	S078-10025BL*
	1-1/2"	1/4-20	Thru	S078-15025A	S078-15025AS*	S078-15025B	S078-15025G	S078-15025AB*	S078-15025BR*	S078-15025BL*
	2"	1/4-20	Thru	S078-20025A	S078-20025AS*	S078-20025B	S078-20025G	S078-20025AB*	S078-20025BR*	S078-20025BL*
	3"	1/4-20	Thru	S078-30025A	S078-30025AS*	S078-30025B	S078-30025G	S078-30025AB*	S078-30025BR*	S078-30025BL*
1"	1/4"	1/4-20	Thru	S100-02525A	S100-02525AS*	S100-02525B	S100-02525G	S100-02525AB*	S100-02525BR*	S100-02525BL*
	1/4"	5/16-18	Thru	S100-025A	S100-025AS*	S100-025B	S100-025G	S100-025AB*	S100-025BR*	S100-025BL*
	1/2"	1/4-20	Thru	S100-05025A	S100-05025AS*	S100-05025B	S100-05025G	S100-05025AB*	S100-05025BR*	S100-05025BL*
	1/2"	5/16-18	Thru	S100-050A	S100-050AS*	S100-050B	S100-050G	S100-050AB*	S100-050BR*	S100-050BL*
	3/4"	5/16-18	Thru	S100-075A	S100-075AS*	S100-075B	S100-075G	S100-075AB*	S100-075BR*	S100-075BL*
	1"	1/4-20	Thru	S100-10025A	S100-10025AS*	S100-10025B	S100-10025G	S100-10025AB*	S100-10025BR*	S100-10025BL*
	1"	5/16-18	Thru	S100-100A	S100-100AS*	S100-100B	S100-100G	S100-100AB*	S100-100BR*	S100-100BL*
	1-1/2"	1/4-20	Thru	S100-15025A	S100-15025AS*	S100-15025B	S100-15025G	S100-15025AB*	S100-15025BR*	S100-15025BL*
	1-1/2"	5/16-18	Thru	S100-150A	S100-150AS*	S100-150B	S100-150G	S100-150AB*	S100-150BR*	S100-150BL*
	2"	1/4-20	Thru	S100-20025A	S100-20025AS*	S100-20025B	S100-20025G	S100-20025AB*	S100-20025BR*	S100-20025BL*
	2"	5/16-18	Thru	S100-200A	S100-200AS*	S100-200B	S100-200G	S100-200AB*	S100-200BR*	S100-200BL*
	3"	1/4-20	1" Both Ends	S100-30025A	S100-30025AS*	S100-30025B	S100-30025G	S100-30025AB*	S100-30025BR*	S100-30025BL*
	3"	5/16-18	1" Both Ends	S100-300A	S100-300AS*	S100-300B	S100-300G	S100-300AB*	S100-300BR*	S100-300BL*
4"	5/16-18	1" Both Ends	S100-400A	S100-400AS*	S100-400B	S100-400G	S100-400AB*	S100-400BR*	S100-400BL*	
6"	5/16-18	1" Both Ends	S100-600A	S100-600AS*	S100-600B	S100-600G	S100-600AB*	S100-600BR*	S100-600BL*	
8"	5/16-18	1" Both Ends	S100-800A	S100-800AS*	S100-800B	S100-800G	S100-800AB*	S100-800BR*	S100-800BL*	
10"	5/16-18	1" Both Ends	S100-1000A	S100-1000AS*	S100-1000B	S100-1000G	S100-1000AB*	S100-1000BR*	S100-1000BL*	
12"	5/16-18	1" Both Ends	S100-1200A	S100-1200AS*	S100-1200B	S100-1200G	S100-1200AB*	S100-1200BR*	S100-1200BL*	
1-1/4"	1/4"	5/16-18	Thru	S125-025A	S125-025AS*	S125-025B	S125-025G	S125-025AB*	S125-025BR*	S125-025BL*
	1/2"	5/16-18	Thru	S125-050A	S125-050AS*	S125-050B	S125-050G	S125-050AB*	S125-050BR*	S125-050BL*
	5/8"	5/16-18	Thru	S125-058A	S125-058AS*	S125-058B	S125-058G	S125-058AB*	S125-058BR*	S125-058BL*
	1"	5/16-18	Thru	S125-100A	S125-100AS*	S125-100B	S125-100G	S125-100AB*	S125-100BR*	S125-100BL*
	1-1/2"	5/16-18	Thru	S125-150A	S125-150AS*	S125-150B	S125-150G	S125-150AB*	S125-150BR*	S125-150BL*
	2"	5/16-18	Thru	S125-200A	S125-200AS*	S125-200B	S125-200G	S125-200AB*	S125-200BR*	S125-200BL*
	3"	5/16-18	1" Both Ends	S125-300A	S125-300AS*	S125-300B	S125-300G	S125-300AB*	S125-300BR*	S125-300BL*
	4"	5/16-18	1" Both Ends	S125-400A	S125-400AS*	S125-400B	S125-400G	S125-400AB*	S125-400BR*	S125-400BL*
	5"	5/16-18	1" Both Ends	S125-500A	S125-500AS*	S125-500B	S125-500G	S125-500AB*	S125-500BR*	S125-500BL*
	6"	5/16-18	1" Both Ends	S125-600A	S125-600AS*	S125-600B	S125-600G	S125-600AB*	S125-600BR*	S125-600BL*
	7"	5/16-18	1" Both Ends	S125-700A	S125-700AS*	S125-700B	S125-700G	S125-700AB*	S125-700BR*	S125-700BL*
	8"	5/16-18	1" Both Ends	S125-800A	S125-800AS*	S125-800B	S125-800G	S125-800AB*	S125-800BR*	S125-800BL*
	9"	5/16-18	1" Both Ends	S125-900A	S125-900AS*	S125-900B	S125-900G	S125-900AB*	S125-900BR*	S125-900BL*
10"	5/16-18	1" Both Ends	S125-1000A	S125-1000AS*	S125-1000B	S125-1000G	S125-1000AB*	S125-1000BR*	S125-1000BL*	
12"	5/16-18	1" Both Ends	S125-1200A	S125-1200AS*	S125-1200B	S125-1200G	S125-1200AB*	S125-1200BR*	S125-1200BL*	
1-1/2"	1/4"	5/16-18	Thru	S150-025A*	S150-025AS*	S150-025B*	S150-025G*	S150-025AB*	S150-025BR*	S150-025BL*
	1/2"	5/16-18	Thru	S150-050A	S150-050AS*	S150-050B	S150-050G	S150-050AB*	S150-050BR*	S150-050BL*
	1"	5/16-18	Thru	S150-100A	S150-100AS*	S150-100B	S150-100G	S150-100AB*	S150-100BR*	S150-100BL*
	2"	5/16-18	Thru	S150-200A	S150-200AS*	S150-200B	S150-200G	S150-200AB*	S150-200BR*	S150-200BL*
	3"	5/16-18	1" Both Ends	S150-300A	S150-300AS*	S150-300B	S150-300G	S150-300AB*	S150-300BR*	S150-300BL*
	4"	5/16-18	1" Both Ends	S150-400A	S150-400AS*	S150-400B	S150-400G	S150-400AB*	S150-400BR*	S150-400BL*
2"	1/4"	5/16-18	Thru	S200-025A	S200-025AS*	S200-025B	S200-025G	S200-025AB*	S200-025BR*	S200-025BL*
	1/2"	5/16-18	Thru	S200-050A	S200-050AS*	S200-050B	S200-050G	S200-050AB*	S200-050BR*	S200-050BL*
	1"	5/16-18	Thru	S200-100A	S200-100AS*	S200-100B	S200-100G	S200-100AB*	S200-100BR*	S200-100BL*
	2"	5/16-18	Thru	S200-200A	S200-200AS*	S200-200B	S200-200G	S200-200AB*	S200-200BR*	S200-200BL*
	3"	5/16-18	1" Both Ends	S200-300A	S200-300AS*	S200-300B	S200-300G	S200-300AB*	S200-300BR*	S200-300BL*
	4"	5/16-18	1" Both Ends	S200-400A	S200-400AS*	S200-400B	S200-400G	S200-400AB*	S200-400BR*	S200-400BL*

*Available upon request minimum order quantity 100




IDEAL FOR
MULTI-MOUNT
PROJECTS!




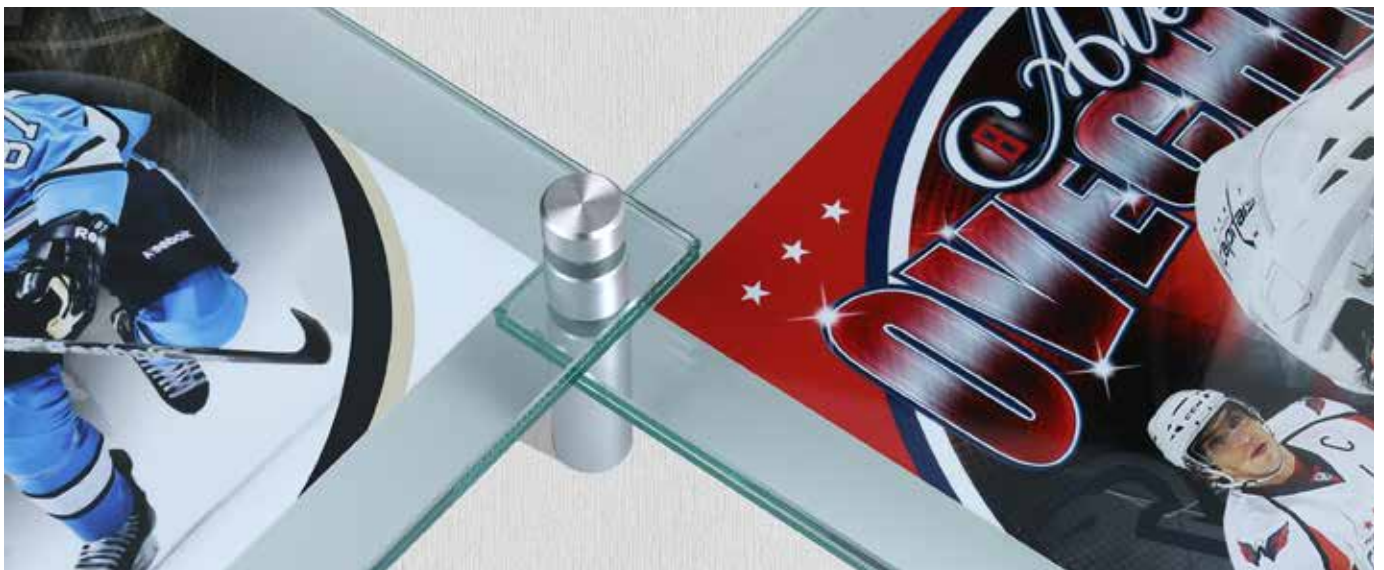
								Stainless Steel	
									
Copper	Green	Dark Green	Titanium	Pink	Purple	Red	Tan	Brushed	Polished
S078-05025CP*	S078-05025GN*	S078-05025DGN*	S078-05025T*	S078-05025RP*	S078-05025PL*	S078-05025RD*	S078-05025TAN*	S078-05025SS	S078-05025SP
S078-10025CP*	S078-10025GN*	S078-10025DGN*	S078-10025T*	S078-10025RP*	S078-10025PL*	S078-10025RD*	S078-10025TAN*	S078-10025SS	S078-10025SP
S078-15025CP*	S078-15025GN*	S078-15025DGN*	S078-15025T*	S078-15025RP*	S078-15025PL*	S078-15025RD*	S078-15025TAN*	S078-15025SS	S078-15025SP
S078-20025CP*	S078-20025GN*	S078-20025DGN*	S078-20025T*	S078-20025RP*	S078-20025PL*	S078-20025RD*	S078-20025TAN*	S078-20025SS	S078-20025SP
S078-30025CP*	S078-30025GN*	S078-30025DGN*	S078-30025T*	S078-30025RP*	S078-30025PL*	S078-30025RD*	S078-30025TAN*	S078-30025SS	S078-30025SP
S100-02525CP*	S100-02525GN*	S100-02525DGN*	S100-02525T*	S100-02525RP*	S100-02525PL*	S100-02525RD*	S100-02525TAN*	S100-02525SS	S100-02525SP
S100-025CP*	S100-025GN*	S100-025DGN*	S100-025T*	S100-025RP*	S100-025PL*	S100-025RD*	S100-025TAN*	S100-025SS	S100-025SP
S100-05025CP*	S100-05025GN*	S100-05025DGN*	S100-05025T*	S100-05025RP*	S100-05025PL*	S100-05025RD*	S100-05025TAN*	S100-05025SS	S100-05025SP
S100-050CP*	S100-050GN*	S100-050DGN*	S100-050T*	S100-050RP*	S100-050PL*	S100-050RD*	S100-050TAN*	S100-050SS	S100-050SP
S100-075CP*	S100-075GN*	S100-075DGN*	S100-075T*	S100-075RP*	S100-075PL*	S100-075RD*	S100-075TAN*	S100-075SS	S100-075SP
S100-10025CP*	S100-10025GN*	S100-10025DGN*	S100-10025T*	S100-10025RP*	S100-10025PL*	S100-10025RD*	S100-10025TAN*	S100-10025SS	S100-10025SP
S100-100CP*	S100-100GN*	S100-100DGN*	S100-100T*	S100-100RP*	S100-100PL*	S100-100RD*	S100-100TAN*	S100-100SS	S100-100SP
S100-15025CP*	S100-15025GN*	S100-15025DGN*	S100-15025T*	S100-15025RP*	S100-15025PL*	S100-15025RD*	S100-15025TAN*	S100-15025SS	S100-15025SP
S100-150CP*	S100-150GN*	S100-150DGN*	S100-150T*	S100-150RP*	S100-150PL*	S100-150RD*	S100-150TAN*	S100-150SS	S100-150SP
S100-20025CP*	S100-20025GN*	S100-20025DGN*	S100-20025T*	S100-20025RP*	S100-20025PL*	S100-20025RD*	S100-20025TAN*	S100-20025SS	S100-20025SP
S100-200CP*	S100-200GN*	S100-200DGN*	S100-200T*	S100-200RP*	S100-200PL*	S100-200RD*	S100-200TAN*	S100-200SS	S100-200SP
S100-30025CP*	S100-30025GN*	S100-30025DGN*	S100-30025T*	S100-30025RP*	S100-30025PL*	S100-30025RD*	S100-30025TAN*	S100-30025SS	S100-30025SP
S100-300CP*	S100-300GN*	S100-300DGN*	S100-300T*	S100-300RP*	S100-300PL*	S100-300RD*	S100-300TAN*	S100-300SS	S100-300SP
S100-400CP*	S100-400GN*	S100-400DGN*	S100-400T*	S100-400RP*	S100-400PL*	S100-400RD*	S100-400TAN*	S100-400SS	S100-400SP
S100-600CP*	S100-600GN*	S100-600DGN*	S100-600DT*	S100-600RP*	S100-600PL*	S100-600RD*	S100-600TAN*	S100-600SS	S100-600SP
S100-800CP*	S100-800GN*	S100-800DGN*	S100-800DT*	S100-800RP*	S100-800PL*	S100-800RD*	S100-800TAN*	S100-800SS	S100-800SP
S100-1000CP*	S100-1000GN*	S100-1000DGN*	S100-1000DT*	S100-1000RP*	S100-1000PL*	S100-1000RD*	S100-1000TAN*	S100-1000SS	S100-1000SP
S100-1200CP*	S100-1200GN*	S100-1200DGN*	S100-1200DT*	S100-1200RP*	S100-1200PL*	S100-1200RD*	S100-1200TAN*	S100-1200SS	S100-1200SP
S125-025CP*	S125-025GN*	S125-025DGN*	S125-025T*	S125-025RP*	S125-025PL*	S125-025RD*	S125-025TAN*	S125-025SS	S125-025SP
S125-050CP*	S125-050GN*	S125-050DGN*	S125-050T*	S125-050RP*	S125-050PL*	S125-050RD*	S125-050TAN*	S125-050SS	S125-050SP
S125-058CP*	S125-058GN*	S125-058DGN*	S125-058T*	S125-058RP*	S125-058PL*	S125-058RD*	S125-058TAN*	S125-058SS	S125-058SP
S125-100CP*	S125-100GN*	S125-100DGN*	S125-100T*	S125-100RP*	S125-100PL*	S125-100RD*	S125-100TAN*	S125-100SS	S125-100SP
S125-150CP*	S125-150GN*	S125-150DGN*	S125-150T*	S125-150RP*	S125-150PL*	S125-150RD*	S125-150TAN*	S125-150SS	S125-150SP
S125-200CP*	S125-200GN*	S125-200DGN*	S125-200T*	S125-200RP*	S125-200PL*	S125-200RD*	S125-200TAN*	S125-200SS	S125-200SP
S125-300CP*	S125-300GN*	S125-300DGN*	S125-300T*	S125-300RP*	S125-300PL*	S125-300RD*	S125-300TAN*	S125-300SS	S125-300SP
S125-400CP*	S125-400GN*	S125-400DGN*	S125-400T*	S125-400RP*	S125-400PL*	S125-400RD*	S125-400TAN*	S125-400SS	S125-400SP
S125-500CP*	S125-500GN*	S125-500DGN*	S125-500T*	S125-500RP*	S125-500PL*	S125-500RD*	S125-500TAN*	S125-500SS*	S125-500SP*
S125-600CP*	S125-600GN*	S125-600DGN*	S125-600T*	S125-600RP*	S125-600PL*	S125-600RD*	S125-600TAN*	S125-600SS	S125-600SP
S125-700CP*	S125-700GN*	S125-700DGN*	S125-700T*	S125-700RP*	S125-700PL*	S125-700RD*	S125-700TAN*	S125-700SS*	S125-700SP*
S125-800CP*	S125-800GN*	S125-800DGN*	S125-800T*	S125-800RP*	S125-800PL*	S125-800RD*	S125-800TAN*	S125-800SS	S125-800SP
S125-900CP*	S125-900GN*	S125-900DGN*	S125-900T*	S125-900RP*	S125-900PL*	S125-900RD*	S125-900TAN*	S125-900SS*	S125-900SP*
S125-1000CP*	S125-1000GN*	S125-1000DGN*	S125-1000T*	S125-1000RP*	S125-1000PL*	S125-1000RD*	S125-1000TAN*	S125-1000SS	S125-1000SP
S125-1200CP*	S125-1200GN*	S125-1200DGN*	S125-1200T*	S125-1200RP*	S125-1200PL*	S125-1200RD*	S125-1200TAN*	S125-1200SS	S125-1200SP
S150-025CP*	S150-025GN*	S150-025DGN*	S150-025T*	S150-025RP*	S150-025PL*	S150-025RD*	S150-025TAN*	S150-025SS	S150-025SP
S150-050CP*	S150-050GN*	S150-050DGN*	S150-050T*	S150-050RP*	S150-050PL*	S150-050RD*	S150-050TAN*	S150-050SS	S150-050SP
S150-100CP*	S150-100GN*	S150-100DGN*	S150-100T*	S150-100RP*	S150-100PL*	S150-100RD*	S150-100TAN*	S150-100SS	S150-100SP
S150-200CP*	S150-200GN*	S150-200DGN*	S150-200T*	S150-200RP*	S150-200PL*	S150-200RD*	S150-200TAN*	S150-200SS	S150-200SP
S150-300CP*	S150-300GN*	S150-300DGN*	S150-300T*	S150-300RP*	S150-300PL*	S150-300RD*	S150-300TAN*	S150-300SS	S150-300SP
S150-400CP*	S150-400GN*	S150-400DGN*	S150-400T*	S150-400RP*	S150-400PL*	S150-400RD*	S150-400TAN*	S150-400SS	S150-400SP
S150-600CP*	S150-600GN*	S150-600DGN*	S150-600T*	S150-600RP*	S150-600PL*	S150-600RD*	S150-600TAN*	S150-600SS	S150-600SP
S200-025CP*	S200-025GN*	S200-025DGN*	S200-025T*	S200-025RP*	S200-025PL*	S200-025RD*	S200-025TAN*	S200-025SS	S200-025SP
S200-050CP*	S200-050GN*	S200-050DGN*	S200-050T*	S200-050RP*	S200-050PL*	S200-050RD*	S200-050TAN*	S200-050SS	S200-050SP
S200-100CP*	S200-100GN*	S200-100DGN*	S200-100T*	S200-100RP*	S200-100PL*	S200-100RD*	S200-100TAN*	S200-100SS	S200-100SP
S200-200CP*	S200-200GN*	S200-200DGN*	S200-200T*	S200-200RP*	S200-200PL*	S200-200RD*	S200-200TAN*	S200-200SS	S200-200SP
S200-300CP*	S200-300GN*	S200-300DGN*	S200-300T*	S200-300RP*	S200-300PL*	S200-300RD*	S200-300TAN*	S200-300SS*	S200-300SP*
S200-400CP*	S200-400GN*	S200-400DGN*	S200-400T*	S200-400RP*	S200-400PL*	S200-400RD*	S200-400TAN*	S200-400SS*	S200-400SP*



Silicone & Nylon Washer

Silicone Washers	Inside Diameter	Outside Diameter	Thickness	Item #
	5/16"	1/2"	1/16"	SW050
	5/16"	5/8"	1/16"	SW058
	5/16"	3/4"	1/16"	SW075
	5/16"	7/8"	1/16"	SW078
	5/16"	1"	1/16"	SW100
	5/16"	1-1/4"	1/16"	SW125

Nylon Washers	Inside Diameter	Outside Diameter	Thickness	Item #
	3/16"	3/8"	1/32"	NW038
	3/16"	1/2"	1/32"	NW0501024
	1/4"	5/8"	1/32"	NW058025
	1/4"	3/4"	1/32"	NW075025
	1/4"	7/8"	1/32"	NW078025
	1/4"	1"	1/32"	NW100025
	5/16"	1/2"	1/32"	NW050
	5/16"	5/8"	1/32"	NW058
	5/16"	3/4"	1/32"	NW075
	5/16"	7/8"	1/32"	NW078
	5/16"	1"	1/32"	NW100
	5/16"	1-1/4"	1/32"	NW125
	5/16"	1-1/2"	1/32"	NW150
	5/16"	2"	1/32"	NW200



Aluminum Square Caps and Barrels

IDEAL FOR
MULTI-MOUNT
PROJECTS!

3 Finishes

- Wall mounted standoffs
- Designed from high quality aluminum
- Caps need your choice of stud length so don't forget your combination screws and anchors (page 50)



Clear Anodized (A)


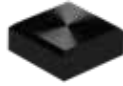
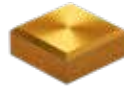


Black Anodized (B)






Gold Anodized (G)

Square Caps 5/16 – 18 Threaded

Diameter	Length	Aluminum		
				
		Clear	Black	Gold
3/4"	3/4"	CAP075SQA	CAP075SQB	CAP075SQG
1"	1"	CAP100SQA	CAP100SQB	CAP100SQG

Square Barrels 5/16 – 18 Threaded

Diameter	Length	Tapped	Aluminum		
					
			Clear	Black	Gold
3/4"	3/4"	Thru	S075-075SQA	S075-075SQB	S075-075SQG
	1"	Thru	S075-100SQA	S075-100SQB	S075-100SQG
1"	3/4"	Thru	S100-075SQA	S100-075SQB	S100-075SQG
	1"	Thru	S100-100SQA	S100-100SQB	S100-100SQG

- Use for drywall: screw HB5/16-125 and anchor ANC6, ANC6Z
- Use for concrete: screw HB5/16-125 and anchor ANC2
- Hole Diameter to be drilled in your material: 3/8"



STILL ON THE FENCE!

Order your new sample box today!

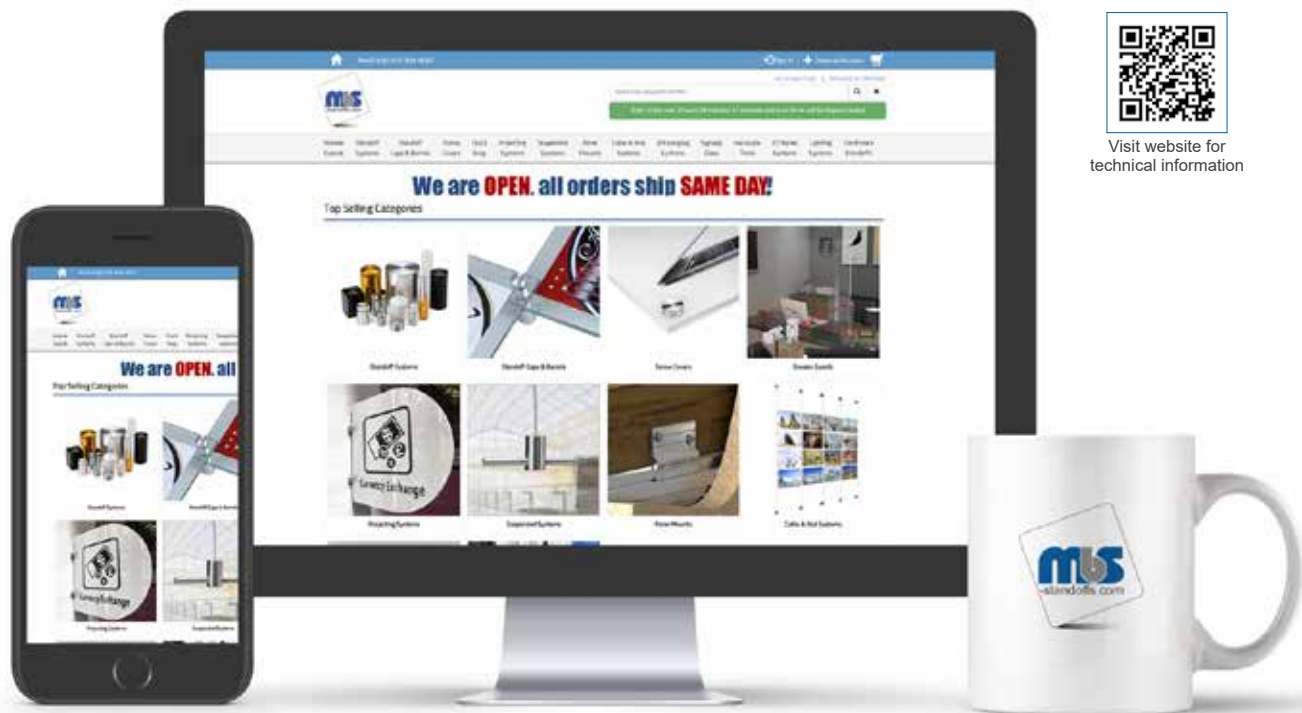


Sample box
Item #: ASSAMPBOX

www.mbs-standoffs.com

Get All Prices Through Our Online Store!

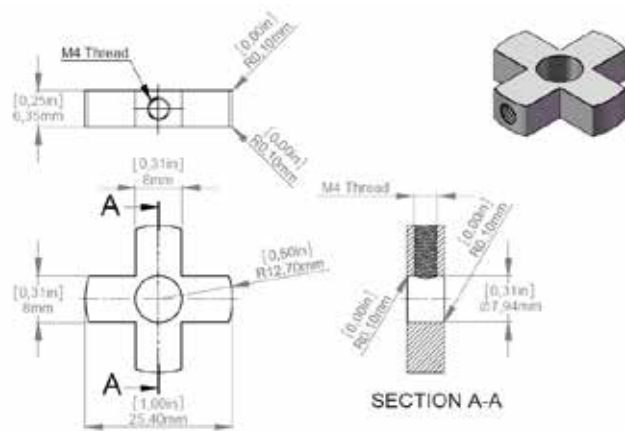
Welcome Mbs shoppers to our WEBSITE, Enjoy it and please should you have any questions, call or email us at sales@mbs-standoffs.com.



- 1** Log On to www.mbs-standoffs.com
You can select the product you are looking for by hovering over each of the categories and choosing a subcategory.
- 2** Search using filter selection and find the right products!
- 3** Use all the product tabs to find:
 - Description
 - Pictures
 - Datasheets
 - Videos
- 4** Our new filters make it easy to quickly find the right product. Search using filter selection and find the product for your projects needs.

Aluminum Hub for Customizable Standoffs

- Can hold 4 panels on the corner
- 3 Different diameters
- 3 Different material thickness's
- 2 Different finishes



Diameter	Material Thickness Accepted	Anodized Aluminum	
		Clear	Black
1" 3/8" Material Hole Diameter	1/4"	H100-025A	H100-025B
	3/8"	H100-038A	H100-038B
	1/2"	H100-050A	H100-050B
1-1/4" 3/8" Material Hole Diameter	1/4"	H125-025A	H125-025B
	3/8"	H125-038A	H125-038B
	1/2"	H125-050A	H125-050B
1-1/2" 3/8" material Hole Diameter	1/4"	H150-025A	H150-025B
	3/8"	H150-038A	H150-038B
	1/2"	H150-050A	H150-050B



Hardware for Customizable Standoffs



Set Screw Studs 304 Stainless Steel Grade

Studs are used to join the cap and barrel. Because this is a custom setup, you will need to determine the length that is required.

Technical Information	Thread Size	Hole Diameter	Allen Key Size	Material Thickness	Length	Item #
 <p>For Caps & Barrels 1/4" Diameter. Add 3/8" to material thickness to pick correct stud</p>	#6-32	1/8"	1/16"	3/8"	1/4"	SC6/32-01
					3/8"	SC6/32-02
					1/2"	SC6/32-03
					5/8"	SC6/32-06
					3/4"	SC6/32-04
					1"	SC6/32-05
 <p>For Caps & Barrels 3/8", 1/2" Diameter. Add 3/8" to material thickness to pick correct stud</p>	#10-24	7/32"	3/32"	7/16"	1/4"	SC10/24-02
					3/8"	SC10/24-03
					1/2"	SC10/24-04
					5/8"	SC10/24-05
					3/4"	SC10/24-09
					7/8"	SC10/24-12
					1"	SC10/24-06
					1-1/4"	SC10/24-10
1-1/2"	SC10/24-07					
 <p>Add 1/2" to material thickness to pick correct stud</p>	1/4-20	5/16"	1/8"	1/2"	2"	SC10/24-08
					5/16"	SC1420-03
					3/8"	SC1420-04
					1/2"	SC1420-05
					5/8"	SC1420-06
					3/4"	SC1420-07
					1"	SC1420-08
					1-1/4"	SC1420-09
					1-1/2"	SC1420-10
					2"	SC1420-11
 <p>Add 1/2" to material thickness to pick correct stud</p>	5/16-18	3/8"	5/32"	1/2"	7/8"	SC5/16-01
					1"	SC5/16-08
					1-1/8"	SC5/16-09
					1-1/4"	SC5/16-10
					1-1/2"	SC5/16-11
					1-3/4"	SC5/16-12
					2"	SC5/16-13
					3"	SC5/16-30
					4"	SC5/16-40
					5/32"	SC5/16-01
					1/4"	SC5/16-02
					3/8"	SC5/16-03
					1/2"	SC5/16-04
5/8"	SC5/16-05					
3/4"	SC5/16-06					
7/8"	SC5/16-07					

Tempered glass is most vulnerable on its edges and may break from contact with the metal standoff. We recommend using washers and plastic tubing with glass materials. Washers protect the glass from the metal standoff preventing breakage.

Plastic Tubing

Technical Information	Inside Diameter	Outside Diameter	Length	Item #
 <p>For 1/4-20 Stud</p>	1/4"	3/8"	1/4"	PT025250
			3/8"	PT025375
			1/2"	PT025500
			3/4"	PT025750
 <p>For 5/16-18 Stud</p>	5/16"	7/16"	1/4"	PT250
			3/8"	PT375
			1/2"	PT500
			3/4"	PT750

Hardware for Customizable Standoffs

Technical Information	Description	For	Diameter	Length	Item #
	Zinc Combination Screw	Anchor: ANC1, ANC5, ANC5Z	#6-32	1" 3/4" 1-1/2"	HB632 HB632-075Z HB632-150Z
	Bit Driver	Combination Screw	#6-32	N/A	16766
	Zinc Combination Screw	Anchor: ANC1, ANC5, ANC5Z	#10-24	1"	HB1024
	Zinc Combination Screw	Anchor: ANC1, ANC5, ANC5Z	#10-24	1-1/2"	HB1024-12
	Zinc Combination Screw	Anchor: ANC1, ANC5, ANC5Z	#10-24	2"	HB1024-2
	Anchor with Combination Screw	Anchor Included	#10-24	N/A	ANC5Z1024S
	Bit Driver	Combination Screw	#10-24	N/A	400.424
	Stainless Steel Zinc Combination Screw	ANC1, ANC5, AN CZ, ANC5Z	1/4-20	1"	HB1/4-100 HB1/4-100Z
	Zinc Combination Screw	Anchor: ANC4	1/4-20	1-1/2"	HB1/4-150
	Zinc Combination Screw	N/A	1/4-20	2"	HB1/4-200
	Bit Driver	Combination Screw	1/4-20	N/A	16769
	Stainless Steel Combination Screw	Anchor: ANC1, ANC5, ANC5Z	5/16-18 to #6	1"	HB5/16-100
	Zinc Combination Screw	Anchor: ANC1, ANC5, ANC5Z	5/16-18 to #6	1"	HB5/16-100Z
	Zinc Anchor with Combination Screw HB5/16-100	Anchor Included	5/16-18	1-1/4"	ANC5ZS
	Hex Head Insert Bit 1/8"	Combination Screw	N/A	N/A	HEXBIT1/8
	Stainless Steel Combination Screw	Anchor: ANC2, ANC6, ANC6Z	5/16-18 to #8	1-1/4"	HB5/16-125
	Zinc Combination Screw	Anchor: ANC2, ANC6, ANC6Z	5/16-18 to #8	1-1/4"	HB5/16-125Z
	Zinc Anchor with Combination Screw HB5/16-125	Anchor Included	5/16-18	N/A	ANC6ZS
	Hex Head Insert Bit 5/32"	Combination Screw	N/A	N/A	HEXBIT5/32
	Stainless Steel Combination Screw	Anchor : ANC6, ANC6Z, ANC6ZS	#8	2"	HB5/16-200
	Toggle Bolt Wings	2300Z or HB5/16-200	8-32	N/A	TBW8
	Concrete Anchor for Screw	N/A	#6	1-1/8"	ANC1
	Nylon Speed Anchor	N/A	#6	1-1/4"	ANC5
	Small Nylon Speed Anchor	N/A	#6	1-1/4"	SA5P
	Zinc Speed Anchor	N/A	#6	1"	ANC5Z
	Concrete Anchor for Screw	N/A	#8	1-1/8"	ANC2
	Nylon Speed Anchor	N/A	#8	1-5/8"	ANC6
	Large Nylon Speed Anchor	N/A	#8	1-5/8"	LA6P
	Zinc Speed Anchor	N/A	#8	1-1/2"	ANC6Z
	Zinc Speed Anchor	N/A	#6	1"	LA6Z
	Small Zinc Speed Anchor	N/A	#8	1-1/2"	SA6Z

Hardware for Customizable Standoffs

For Drywall and Concrete

Technical Information	Description	For	Diameter	Length	Item #
	Plastic Anchor for Concrete Drill Size 1/4"	Screw: #6	#6	N/A	ANC1
	Plastic Anchor for Concrete Drill Size 1/4"	Screw: #8	#8	N/A	ANC2
	Plastic Anchor for Drywall	Screw: #6	#6	N/A	ANC5
	Zinc Anchor for Drywall	Screw: #6	#6	N/A	ANC5Z
	Plastic Anchor for Drywall	Screw: #8	#8	N/A	ANC6
	Zinc Anchor for Drywall	Screw: #8	#8	N/A	ANC6Z
	Nylon Toggle Wings	Screw: #8	Pre-Drill 9/16"	N/A	TBW9
	Nylon Toggle Tool	Anchor: TBW9	N/A	N/A	TBW9K
	Zinc Steel Combination Screw For Toggle Wing #6	Anchor: TBW6	1/4-20 to 6-32	2"	HB025-200
	Spring Toggle Wings	Screw: HB025-200	Pre-Drill 3/8"	N/A	TBW6
	Combination Screw For Toggle Wing #6	Anchor: TBW8	5/16-18 to 8-32	2"	HB5/16-200
	Spring Toggle Wings	Screw: HB5/16-200	Pre-Drill 9/16"	N/A	TBW8
	Zinc Hanger Bolt	None	5/16-18 to #12	1-1/2"	HB5/16-150
	Zinc Combination Screw	None	#8	1-1/4"	HB5/16-150Z
	Stainless Steel Combination	None	5/16 to #12	2"	HB5/16-2
	Zinc Combination Screw	None	5/16 to #12	4"	HB5/16-4
	Stainless Steel M4 Combination Screw	N/A	M4	N/A	400.700
	5/16 Thread Insert Sold without Screw	N/A	5/16"	1/4"	Insert516
	Screw for Insert 5/16	Anchor: TBW6	6/32"	2-1/2"	2200Z
	Hex Head Insert Bit	N/A	1/8"	2"	HEXBIT1/8
	Hex Head Insert Bit	N/A	5/32"	2"	HEXBIT5/32

Machine Screws, Flat / Pan Head

Machine screws Zinc plated



Flat



Pan







Description	Thread	Length	Flat #	Pan #
#6-32 Machine Screws, Phillips, Zinc Plated Steel	#6-32	3/16"	9325	N/A
		1/4"	7601	N/A
		5/16"	9326	N/A
		3/8"	1487	N/A
		7/16"	9327	N/A
		1/2"	1488	1542
		5/8"	1489	1543
		3/4"	1490	1544
		7/8"	9328	9228
		1"	1491	1545
		1-1/4"	1492	1546
		1-1/2"	1493	1547
		2"	1494	1548
#10-24 Machine Screws, Phillips, Zinc Plated Steel	#10-24	5/16"	9545	9242
		1/4"	N/A	9241
		3/8"	1507	1561
		1/2"	1508	1562
		5/8"	1509	1563
		3/4"	1510	1564
		7/8"	9546	N/A
		1"	1511	1565
		1-1/4"	1512	1566
		1-1/2"	1513	1567
1-3/4"	9547	N/A		
2"	1514	1568		
1/4-20 Machine Screws, Phillips, Zinc Plated Steel	1/4-20	3/8"	1529	N/A
		1/2"	1530	1584
		5/8"	1531	N/A
		3/4"	1532	1586
		7/8"	9573	N/A
		1"	1533	1587
		1-1/4"	1534	N/A
		1-1/2"	1535	N/A
		1-3/4"	9574	N/A
2"	1536	N/A		
5/16-18 Machine Screws, Phillips, Zinc Plated Steel	5/16-18	1/2"	9580	N/A
		3/4"	9581	9284
		7/8"	N/A	9285
		1"	N/A	9286
		1-1/4"	9583	9287
		1-1/2"	9584	9288
		1-3/4"	9585	N/A
2"	9586	N/A		






Studs Full Threaded

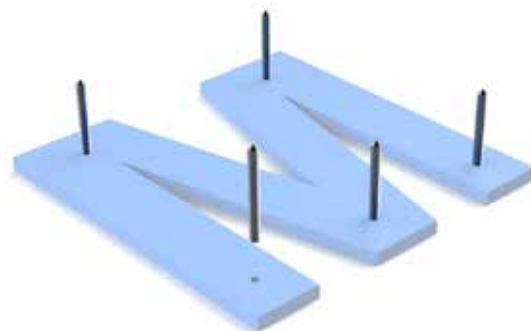
304 Stainless Steel and Aluminum Studs for Letter Mounting



Visit website for
technical information

Technical Information	Thread	Material	Length	Item #
	#4-40	304 Stainless Steel	1"	SST440-100
			2"	SST440-200
	#6-32	304 Stainless Steel	5/8"	SST632-100
			1"	SST632-100
			1-1/2"	SST632-150
			2"	SST632-200
			3"	SST632-300
			5/8"	SST1024-062
	#10-24	304 Stainless Steel	1"	SST1024-100
			1-1/2"	SST1024-150
			2"	SST1024-200
			3"	SST1024-300
			4"	SST1024-400
			5"	SST1024-500
	1/4-20	304 Stainless Steel	6"	SST1024-600
			1"	SST1420-100
			2"	SST1420-200
			3"	SST1420-300
			4"	SST1420-400
			5"	SST1420-500
	5/16-18	304 Stainless Steel	6"	SST1420-600
			5/8"	SST51618-062
			1"	SST51618-100
			1-1/2"	SST51618-150
			2"	SST51618-200
			3"	SST51618-300
	3/8-16	304 Stainless Steel	4"	SST51618-400
			5"	SST51618-500
			6"	SST51618-600
			4"	SST3816-400
			5"	SST3816-500
			6"	SST3816-600

Technical Information	Thread	Material	Length	Item #
	#6-32	Aluminum	1-1/2"	AST632-150
			2"	AST632-200
	#10-24	Aluminum	1"	AST1024-100
			1-1/2"	AST1024-150
			2"	AST1024-200
			2-1/2"	AST1024-250
			3"	AST1024-300
			4"	AST1024-400
	1/4-20	Aluminum	5"	AST1024-500
			6"	AST1024-600
			2"	AST1420-200
			3"	AST1420-300
			4"	AST1420-400
			5"	AST1420-500
	5/16-18	Aluminum	6"	AST1420-600
			5/8"	AST51618-062
			1"	AST51618-100
			1-1/2"	AST51618-150
			2"	AST51618-200
			3"	AST51618-300
	3/8-16	Aluminum	4"	AST51618-400
			5"	AST51618-500
			6"	AST51618-600



Tools for Customizable Standoffs

Technical Information	Description	For	Item #
	68 Piece Tool Set	N/A	SETBIT
	Screw Driver for Hex 1/4" Bit with Ergonomic Rubber Handle	N/A	61300
	Mini Stubby Handle for Hex 1/4" Bit	N/A	61200
	1/4" Magnetic Bit Holder	N/A	MBH1/4
	Allen Key 1/8" for #6 Set Screw	HB5/16-100(Z)	ALLENK1/8
	Allen Key 5/32" for #8 Set Screw	HB5/16-125(Z)	ALLENK5/32
	Allen Key 1.5mm for M3 Set Screw	N/A	ALLENM15
	Allen Key 2mm for M4 Set Screw	N/A	ALLENM4
	Allen Key 2.5mm for M5 Set Screw	N/A	ALLENM5
	Allen Key 3mm for M6 Set Screw	N/A	ALLENM6
	Bit Driver 6-32	HB632 Screws	16766
	Bit Driver 10-24	HB1024, HB1024-2, HB1024-12	400.424
	Bit Driver 1/4-20	HB1/4-100(Z) & HB1/4-150(Z)	16769
	Hex Head Insert Bit 1/8"	HB5/16-100(Z)	HEXBIT1/8
	Hex Head Insert Bit 5/32"	HB5/16-125(Z)	HEXBIT5/32
	Steel Hex Drill Bit 5/32"	N/A	HDB532
	Steel Hex Drill Bit 1/4"	N/A	HDB14
	Cobalt Drill Bit 3"	N/A	DB732
	Locking Cap Tool	For Aluminum and Stainless Steel Locking Caps	LS01
	Thread Glue	Secure studs in place	TG01





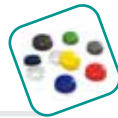
Screw Cap Covers

Screw Cap Covers



p60

Snap Caps



p63

Stainless Steel Tamper
Proof Washer and Torx Screw



p64

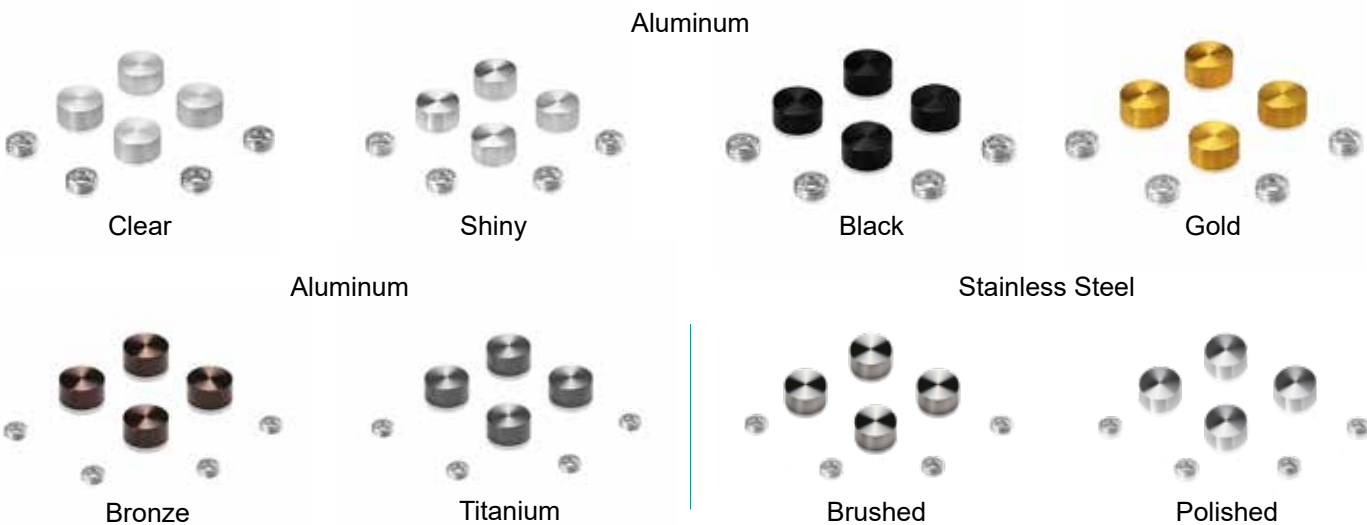
Screw Cap Covers

Set of 4 Screw Covers – For Indoor and Outdoor Use

- Designed from high quality Stainless Steel and Aluminum
- Designed for flush mounted projects
- 6 different diameters
- 8 different finishes 6 Aluminum, 2 Stainless Steel
- For indoor or outdoor use
- Includes: threaded insert
- Easy to use
- Screws and anchors sold separately



8 Different Finishes




Screw Cap Covers

Set of 4 Screw Covers – For Indoor and Outdoor Use

Diameter	Cap Height	Aluminum			
					
		Clear	Shiny	Black	Gold
1/2"	1/4"	SC12A	SC12AS	SC12B	SC12G
5/8"	1/4"	SC16A	SC16AS	SC16B	SC16G
3/4"	1/4"	SC18A	SC18AS	SC18B	SC18G
13/16"	1/4"	SC20A	SC20AS	SC20B	SC20G
7/8"	1/4"	SC22A	SC22AS	SC22B	SC22G
1"	1/4"	SC25A	SC25AS	SC25B	SC25G

Use for drywall: screw 2208 and anchor ANC5, ANC5Z. Use for concrete: screw 2208 and anchor ANC1

 *Available upon request minimum order quantity 100



		Stainless Steel			
					
Bronze	Titanium	Brushed Inside Use	Brushed Inside / Outside Use	Polished Inside Use	Polished Inside / Outside Use
SC12AB	SC12T	SC12SSS	SC12SS304	SC12SSP*	SC12SSP304*
SC16AB	SC16T	SC16SSS	SC16SS304	SC16SSP*	SC16SSP304*
SC18AB	SC18T	SC18SSS	SC18SS304	SC18SSP*	SC18SSP304*
SC20AB	SC20T	SC20SSS	SC20SS304	SC20SSP*	SC20SSP304*
SC22AB	SC22T	SC22SSS	SC22SS304	SC22SSP*	SC22SSP304*
SC25AB	SC25T	SC25SSS	SC25SS304	SC25SSP*	SC25SSP304*



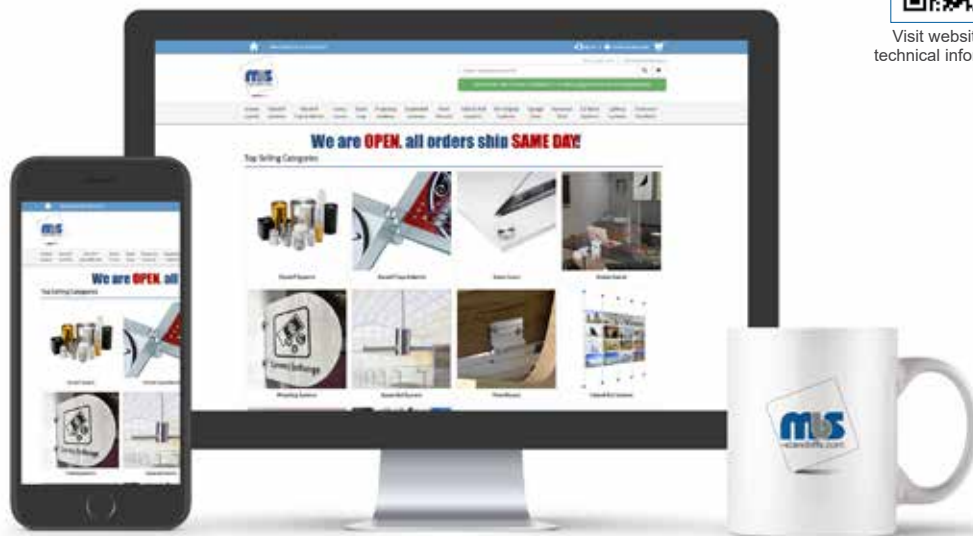
www.mbs-standoffs.com

Get All Prices Through Our Online Store!

Welcome Mbs shoppers to our WEBSITE, Enjoy it and please should you have any questions, call or email us at sales@mbs-standoffs.com.



Visit website for
technical information



1 Log On to www.mbs-standoffs.com
You can select the product you are looking for by hovering over each of the categories and choosing a subcategory.

2 Search using filter selection and find the right products!

3 Use all the product tabs to find:
• Description
• Pictures
• Datasheets
• Videos

4 Our new filters make it easy to quickly find the right product. Search using filter selection and find the product for your projects needs.



Screw Cover Caps

Cover Up Exposed Fixings With Screw Caps



Snap-Caps

Snap-Caps are the best and most secure way to cover and protect screws, fixings and fasteners. Available in a variety of colors for that custom look.



Electroplated Snap-Caps

Electroplated Snap-Caps give a high-quality finish on polished metal, mirrors, glass, and other high-gloss surfaces. The finish is tough and durable, and is resistant to most household cleaning products. Electroplated Snap-Caps will withstand the elements and last as long as the chrome-plated badges on your car.



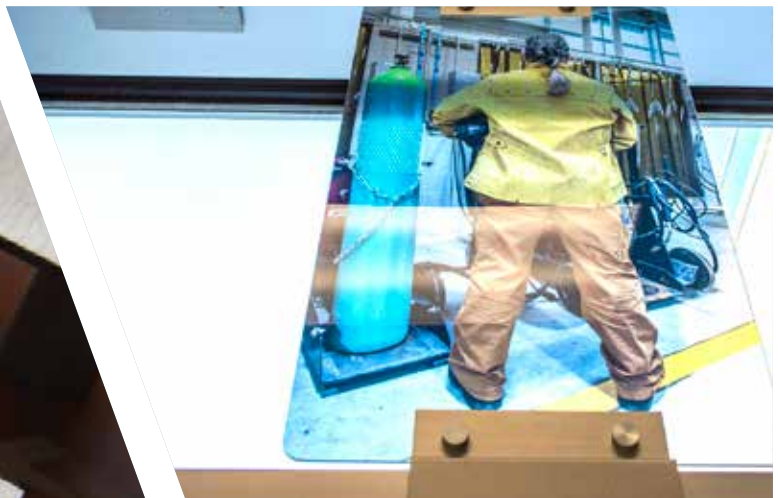
Stemfix Caps

Stemfix (aka "Pin Caps") are low-profile plastic caps, which achieve a secure grip when used in special drilled "head-hole" screws, such as 'SupaChip' or Confirmat screws. Stemfix have a positive grip that is easy to fit, but not-so easy to remove. This makes Stemfix caps an ideal way to hide screws & fixings.





Bifix Caps

Low-profile Press-in caps for Pozi & Phillips screws, Bifix Caps are the ultimate 'Pozi' caps, that press into the drive recess of countersunk screws. Bifix Caps fit Pozi and Phillips head screws that have a No.2 drive recess.



Snap Caps, Stemfix and Bifix for Screw

Description	Diameter	Finish	Fit Screw Sizes	Item #
	1/2"	Black Gloss	#6, #8, M3, M4	SC6/8BG
	5/8"		#10, #12, #14, M5, M6	SC10/12BG
	1/2"	Blaze Gloss	#6, #8, M3, M4	SC6/8BLG
	5/8"		#10, #12, #14, M5, M6	SC10/12BLG
	1/2"	Caspian Blue Gloss	#6, #8, M3, M4	SC6/8CBG
	5/8"		#10, #12, #14, M5, M6	SC10/12CBG
	1/2"	Charcoal Gloss	#6, #8, M3, M4	SC6/8CG
	5/8"		#10, #12, #14, M5, M6	SC10/12CG
	1/2"	Fern Green Gloss	#6, #8, M3, M4	SC6/8FEG
	5/8"		#10, #12, #14, M5, M6	SC10/12FEG
	1/2"	Forest Green Gloss	#6, #8, M3, M4	SC6/8FGG
	5/8"		#10, #12, #14, M5, M6	SC10/12FGG
	1/2"	Fog Grey Gloss	#6, #8, M3, M4	SC6/8FOG
	5/8"		#10, #12, #14, M5, M6	SC10/12FOG
	1/2"	Heritage Green Gloss	#6, #8, M3, M4	SC6/8HGG
	5/8"		#10, #12, #14, M5, M6	SC10/12HGG
	1/2"	Mandarin Gloss	#6, #8, M3, M4	SC6/8MG
	5/8"		#10, #12, #14, M5, M6	SC10/12MG
	1/2"	Medium Slate Gloss	#6, #8, M3, M4	SC6/8MSG
	5/8"		#10, #12, #14, M5, M6	SC10/12MSG
	1/2"	Light Grey Gloss	#6, #8, M3, M4	SC6/8LGG
	5/8"		#10, #12, #14, M5, M6	SC10/12LGG
	1/2"	Red Gloss	#6, #8, M3, M4	SC6/8RG
	5/8"		#10, #12, #14, M5, M6	SC10/12RG
	1/2"	Royal Blue Gloss	#6, #8, M3, M4	SC6/8RBG
	5/8"		#10, #12, #14, M5, M6	SC10/12RBG
	1/2"	Sea Blue Gloss	#6, #8, M3, M4	SC6/8SBG
	5/8"		#10, #12, #14, M5, M6	SC10/12SBG
	1/2"	Space Blue Gloss	#6, #8, M3, M4	SC6/8SPG
	5/8"		#10, #12, #14, M5, M6	SC10/12SPG
1/2"	Silver Grey Gloss	#6, #8, M3, M4	SC6/8SGG	
5/8"		#10, #12, #14, M5, M6	SC10/12SGG	
1/2"	White Gloss	#6, #8, M3, M4	SC6/8WG	
5/8"		#10, #12, #14, M5, M6	SC10/12WG	
1/2"	Yellow Gloss	#6, #8, M3, M4	SC6/8YG	
5/8"		#10, #12, #14, M5, M6	SC10/12YG	
1/2"	Electroplated Polished Chrome	#6, #8, M3, M4	SC6/8EPC	
5/8"		#10, #12, #14, M5, M6	SC10/12EPC	
1/2"	Electroplated Satin Chrome	#6, #8, M3, M4	SC6/8ESC	
5/8"		#10, #12, #14, M5, M6	SC10/12ESC	
1/2"	Electroplated Gold	#6, #8, M3, M4	SC6/8EPG	
5/8"		#10, #12, #14, M5, M6	SC10/12EPG	
	1/2"	White	#6, #8, M3, M4	STFWH
	1/2"	Black	#6, #8, M3, M4	STFBK
	1/2"	White	#6, #8, M3, M4	BFXWH
	1/2"	Black	#6, #8, M3, M4	BFXBK

Washers	For Cap	For Screw	Item #
	All SC6/8	2208, 2216	W6/8CS
	All SC10/12	2225, 2234	W10/12CS
	All SC6/8	PT6075, PT6150	W6/8FB
	All SC10/12	PT8075, PT8150	W10/12FB

Stainless Steel Tamper Proof Washer and Torx Screw

For Indoor and Outdoor Use



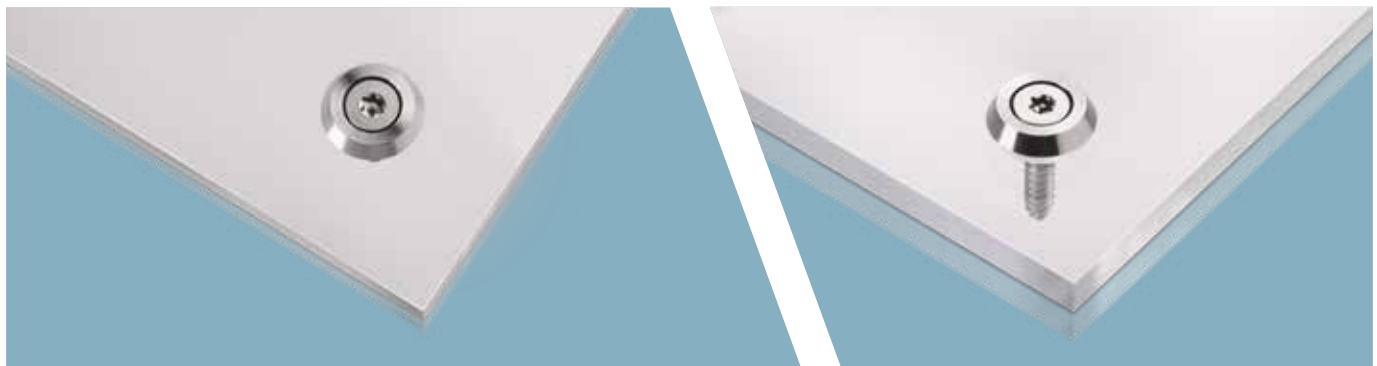
18-8 stainless steel Set of 4
5/8" Diameter washer with #8 Sheet Metal screws – torx – flat head

Diameter	Driver	Item #
5/8"	T20	WSC-1
Torx Bit Driver	T20	101020





Visit website for technical information

- i** Use for drywall: anchor ANC6, ANC6Z
Use for concrete: anchor ANC2
Thickness of material accepted: up to 1/2"



Stainless Steel Tamper Proof Screw

For Indoor and Outdoor Use

Description	Drive	Length	Item #
 <p>#8 Sheet Metal Screws Torx – Flat Head Stainless Steel 18-8</p>	T20	1/2"	91800
	T20	5/8"	91805
	T20	3/4"	91810
	T20	1"	91820
	T20	1-1/4"	91830
	T20	1-1/2"	91840
 <p>#10-24 Machine Screw Torx – Flat Head Stainless Steel 18-8</p>	T20	3/8"	91600
	T20	1/2"	91605
	T20	5/8"	91608
	T20	3/4"	91610
	T20	1"	91615
	T20	1-1/4"	91620
T20	1-1/2"	91625	



Item #: SETBIT



Item #: MBH1/4



Item #: 61300



Item #: 61200

Description	Item #
68 Piece Tool Set	SETBIT
Screw Driver for Hex 1/4 Bit with Ergonomic Rubber Handle	61300
Mini Stubby Handle for Hex 1/4 Bit	61200
1/4 Magnetic Bit Holder	MBH1/4
Torx Tamper Proof: T10 BIT	101000
Torx Tamper Proof: T15 BIT	101010
Torx Tamper Proof: T20 BIT	101020
1.5 mm Stubby Driver for Standoffs and Cable Systems	STUBBY15
2.0 mm Stubby Driver for Standoffs and Cable Systems	STUBBY2
2.5 mm Stubby Driver for Standoffs and Cable Systems	STUBBY25
3.0 mm Stubby Driver for Standoffs, Signage and Cable Systems	STUBBY3



Panel Mounts

Z-Clip Panel Mount



p68

Quick Snap Standoff



p70

Expander



p74

Button-Fix



p76



Z-Clip Panel Mount

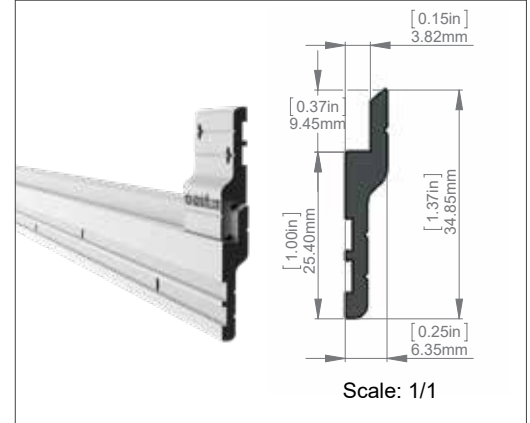
Ideal For Hanging Wall Panels, Partitions, and Signs - All Pre-drilled For Easy Installation



Medium to Heavy duty application

Width	Item #
2"	ZCP1
36"	ZCP1-3
72"	ZCP1-6

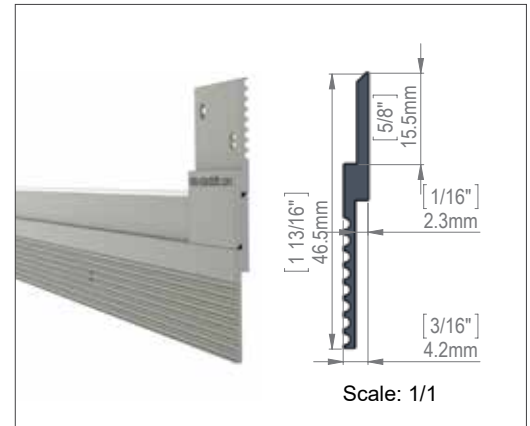
Lift 3/8"



Light to Medium duty application

Width	Item #
1-1/2"	ZCP2
36"	ZCP2-3
72"	ZCP2-6

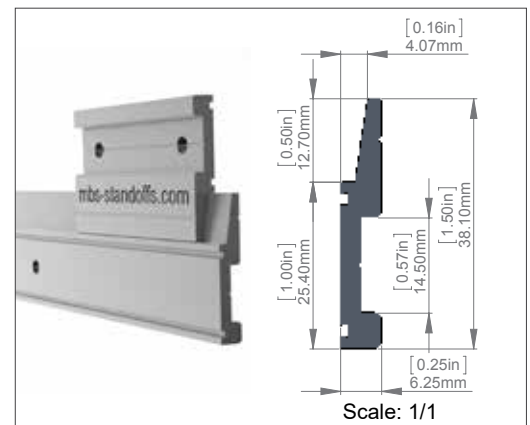
Lift 5/8"



Medium to Heavy duty application

Width	Item #
2-1/2"	ZCP3
36"	ZCP3-3
72"	ZCP3-6

Lift 1/2"

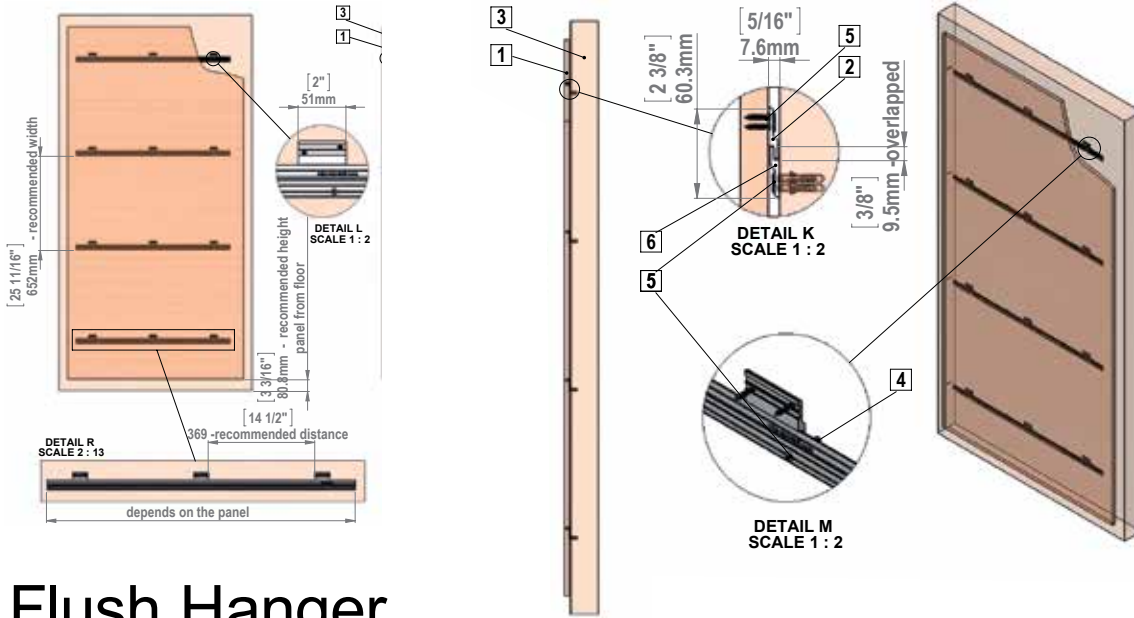


Z-Clip Sample Box With Instruction Guide

Description	Item #
ZCP Sample Box with 2 Pieces of ZCP1, ZCP2, ZCP3; Instruction Guide and Description	ZCPSAMPLEBOX

Z-Clip Panel Mount

The Z-CLIP system is a fast, easy, and a cost effective method to lock in place any kind of wall panel, which includes acoustical panels, partitions, cabinets, signage, artwork, etc. The "Z" shaped clips wedge together locking panels in place which allows for costs to be cut by 50% as well as installation time. The Z-CLIP system provides ample access to easy mounting and removal of panels for any changes or replacements. Z-Clips are discreet and allow for a pre-finished look without the time consuming face nailing and costly on-the-job finishing.



Flush Hanger

Zinc Steel

	Description	Length	Thickness	Item #
2 Holes	Small Flush Mount Hanger Zinc Finish	1-5/8"	0.17"	FMH1Z



	Description	Length	Thickness	Item #
4 Holes	Big Flush Mount Hanger Zinc Finish	2-1/16"	0.17"	FMH2Z



i Use for drywall: screw 2208 and anchor ANC5, ANC5Z
 Use for concrete: screw 2208 and anchor ANC1



Quick Snap Standoffs

- 8 different sizes
- 4 different colors
- Adhesive or screw mounted option

The Quick Snap system is used for the installation of letters in relief.

No drilling no screws visible on the face of the letters. The system is very simple and quick to use.



Visit websites for technical information

Select the Best item with this Easy to Use Chart

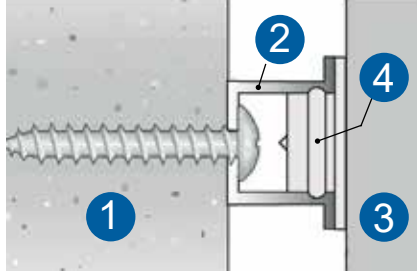
Item	Maximum Height for Letter	Maximum weight per «QS»	Use
Mini	7-7/8"	0.55 lb (250 g)	indoor & outdoor
Small	7-7/8"	0.55 lb (250 g)	indoor & outdoor
Medium	9-13/16"	0.55 lb (250 g)	indoor & outdoor
Large	9-13/16"	0.55 lb (250 g)	indoor & outdoor
Big	9-3/16"	0.55 lb (250 g)	indoor & outdoor
Extra Big	15-3/4"	0.88 lb (400 g)	indoor & outdoor
Jumbo	27-9/16"	1.54 lb (700 g)	indoor & outdoor
Giant	27-9/16"	1.54 lb (700 g)	indoor & outdoor



Quick Snap Standoffs

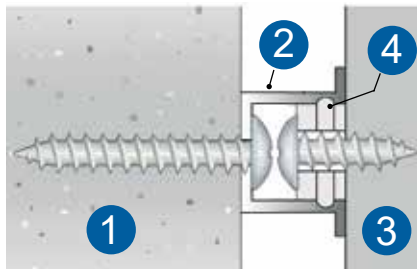
Installation in 5 Easy Steps

Technical Information



- 1. Surface
- 2. Body with screw
- 3. Letter
- 4. Head with adhesive

Screw Mounted



- 1. Surface
- 2. Body with screw
- 3. Letter
- 4. Head with screw

The directions below are general installation recommendations. The weight of each fastener depends on the conditions of use. To avoid unnecessary tension it is advised to avoid over tightening of the body support.



1 Using adhesive place the Head support on the back of the letters.



2 Place the letter against the template and use pressure to mark placement of pilot holes.



3 Place template and drill appropriately.



4 Attach Body ends in correct positions.



5 Securely Snap the letters into place using slight pressure.



Quick Snap fasteners can be properly secured by using our Quick Snap adhesive for all letters made from acrylic or expanded PVC, or, by using our 2 component adhesive for letters out of aluminum, brass, stainless or multi layer aluminum enamel.

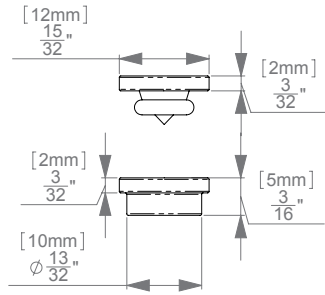


Always use stainless steel screws. Tighten the screws through the fastener, then loosen a quarter of a turn. The fasteners must be used exclusively for letters. Use one fastener per 4"

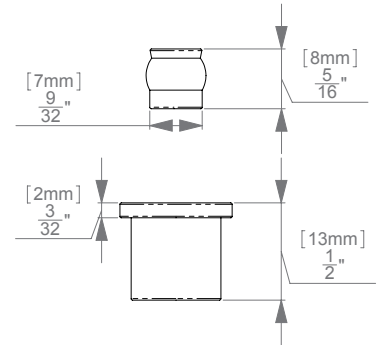
Quick Snap Standoffs



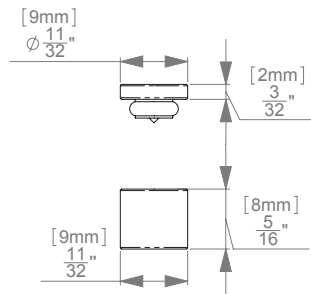
Mini



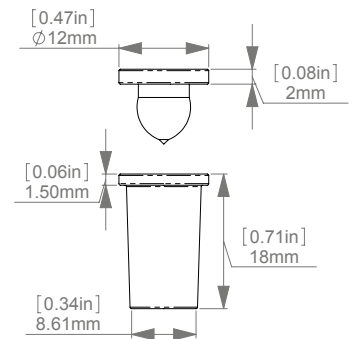
Large / Screw



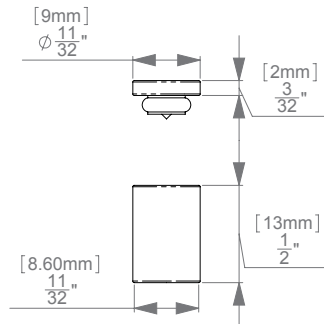
Small



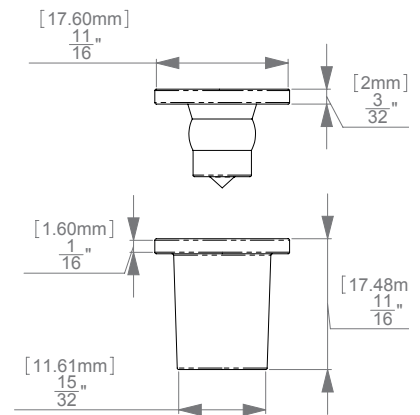
Big



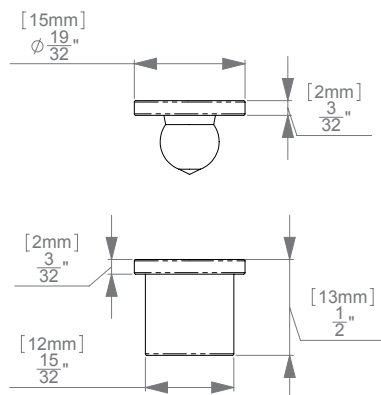
Medium



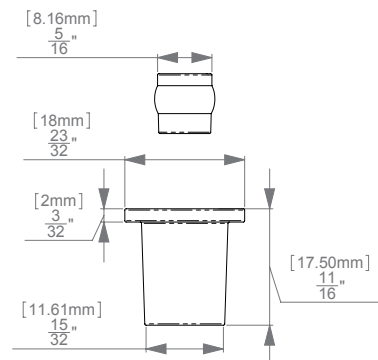
Extra Big



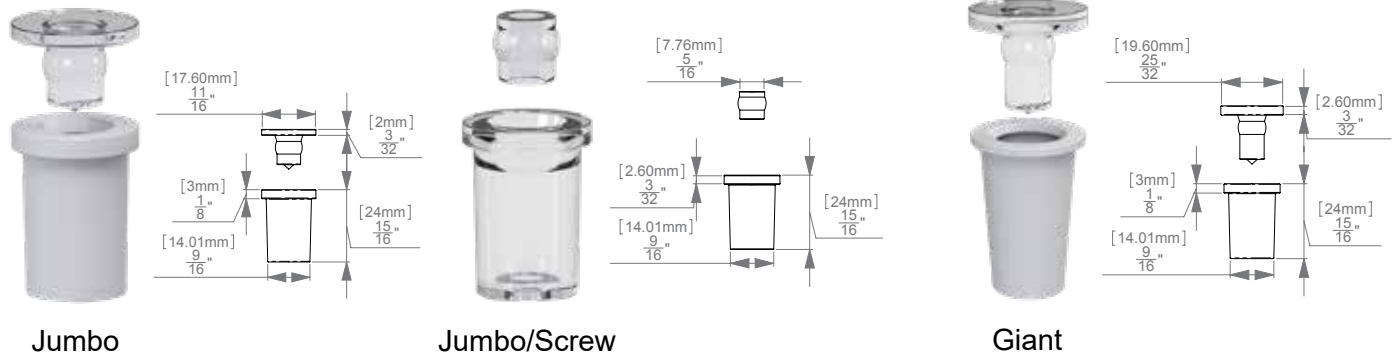
Large



Extra Big/Screw



Quick Snap Standoffs



Name	Diameter	Rated Strength per Quick Snap	Distance from the wall	Tightening Method	Black	White	Grey	Clear
Mini	1/2"	0.55 lbs	1/4"	Adhesive mounted head	QSASB1HK	QSASB2HK	QSASB3HK	QSASB4HK
Small	3/8"	0.55 lbs	3/8"	Adhesive mounted head	QSBSB1HK	QSBSB2HK	QSBSB3HK	QSBSB4HK
Medium	3/8"	0.55 lbs	1/2"	Adhesive mounted head	QSCSB1HK	QSCSB2HK	QSCSB3HK	QSCSB4HK
Large	5/8"	0.55 lbs	5/8"	Adhesive mounted head	QSDSB1HK	QSDSB2HK	QSDSB3HK	QSDSB4HK
			1/2"	Screw mounted head	QSDSB1HS	QSDSB2HS	QSDSB3HS	QSDSB4HS
Big	1/2"	0.55 lbs	3/4"	Adhesive mounted head	QSESB1HK	QSESB2HK	QSESB3HK	QSESB4HK
Extra Big	3/4"	0.88 lbs	3/4"	Adhesive mounted head	QSFBS1HK	QSFBS2HK	QSFBS3HK	QSFBS4HK
			3/4"	Screw mounted head	QSFBS1HS	QSFBS2HS	QSFBS3HS	QSFBS4HS
Jumbo	3/4"	1.54 lbs	1"	Adhesive mounted head	QSGSB1HK	QSGSB2HK	QSGSB3HK	QSGSB4HK
			7/8"	Screw mounted head	QSGSB1HS	QSGSB2HS	QSGSB3HS	QSGSB4HS
Giant	3/4"	1.54 lbs	1-1/8"	Adhesive mounted head	QSHSB1HK	QSHSB2HK	QSHSB3HK	QSHSB4HK
		1.54 lbs	1-1/16"	Screw mounted head	N/A	N/A	N/A	QSHSB4HS

Sold by the Unit

Sample Kit

Assorted sizes for your review.
 Refunded with your first order of
 250 pcs or more



	Item #
Sample kit	QSSAMPLE

Glue

	Item #
Quick Snap Letter System Glue	0.71 oz (20 gr) QSXGLU1
Quick Snap Letter System 2 component Glue	1.69 fl oz (50 ml) QSXGLU2



Quick Snap Standoffs

Expander Quick Snaps



Visit website for technical information

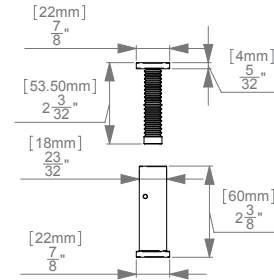
ADHESIVE OR
SCREW
MOUNTED



Expander I

- Adjustable standoff from 1-5/8" to 2-1/8"
- Diameter: 7/8"
- Adhesive or screw mounted
- Easily removable
- TREATED ANTI U.V.
- Standard: V-2 UL 94 temp. 122 Ca 1.8 Mpa & EN 50107

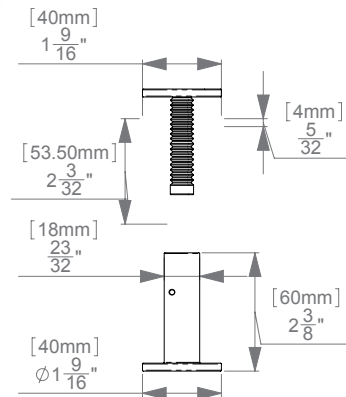
Color	Item #
Clear	QSJSB4H



Expander I XL

- Adjustable standoff from 1-5/8" to 2-1/8"
- Diameter: 1-5/8"
- Adhesive or screw mounted
- Easily removable
- TREATED ANTI U.V.
- Standard: V-2 UL 94 temp. 122 Ca 1.8 Mpa & EN 50107

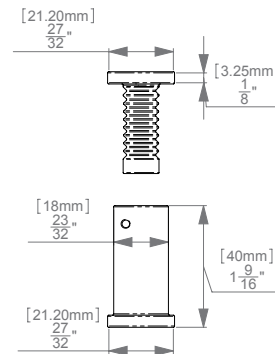
Color	Item #
Clear	QSKSB4H



Expander II

- Adjustable standoff from: 2-1/2" to 3-3/8"
- Diameter: 7/8"
- Adhesive or screw mounted
- Easily removable
- TREATED ANTI U.V.
- Standard: V-2 UL 94 temp. 122 Ca 1.8 Mpa & EN 50107

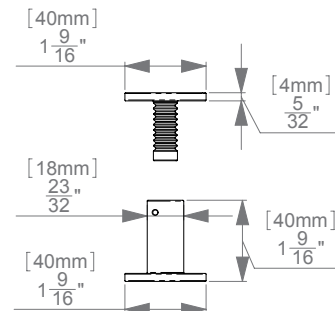
Color	Item #
Clear	QSLSB4H



Expander II XL

- Adjustable standoff from: 2-1/2" to 3-3/8"
- Diameter: 1-5/8"
- Adhesive or screw mounted
- Easily removable
- TREATED ANTI U.V.
- Standard: V-2 UL 94 temp. 122 Ca 1.8 Mpa & EN 50107

Color	Item #
Clear	QSMSB4H





America's #1 Choice For Standoffs!

Daily Pickup and **1 or 2** Days Ground Shipping to Most of the States



Mbs-Standoffs & Mbs-Signsupply Headquarters
TAMPA



Mbs-Standoffs & Mbs-Signsupply
CHICAGO



Mbs-Standoffs & Mbs-Signsupply Milano
DENVER



Mbs-Standoffs & Mbs-Signsupply
LAS VEGAS



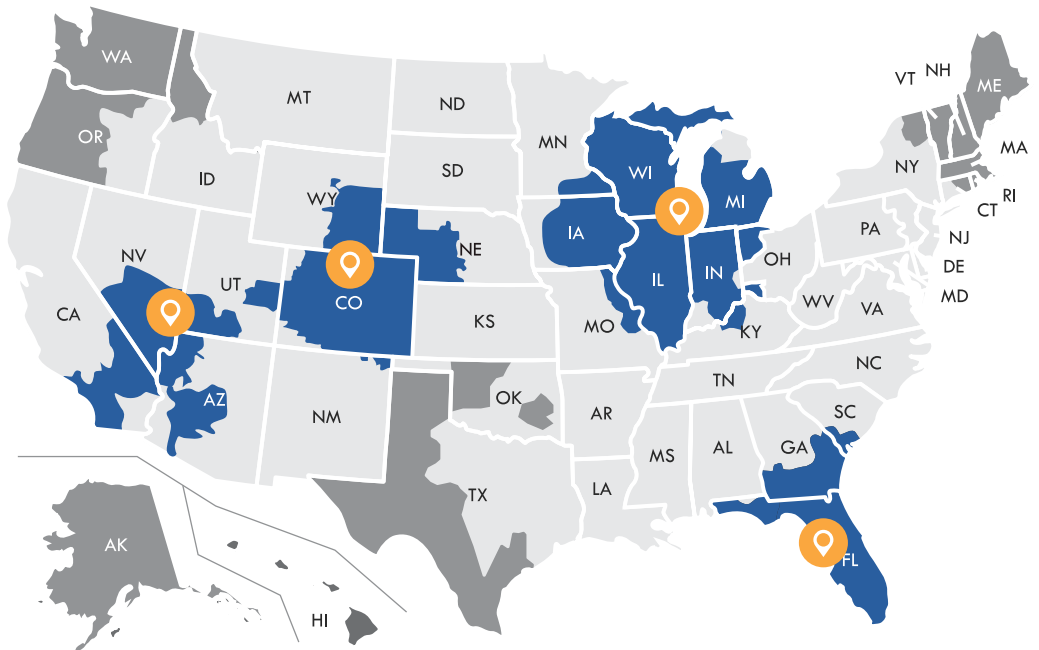
Monday–Thursday up to 6:30 PM (EST)
Friday up to 5:30 PM (EST)



Monday–Thursday up to 6:30 PM (EST)
Friday up to 5:30 PM (EST)



Shipping to Canada with FedEx, UPS & USPS, and anywhere in the world with DHL



Receive in 1 Day Receive in 2 Days Receive in 3 Days

Daily Pickup

- We have a daily pick-up, so that all of our customers can take advantage of same day shipping.
- Blind Shipping & Drop Shipping Available Upon Request (Fees may apply)
- Don't forget we can always ship on your account.
- If you are local, you can pick up your order within 30 minutes of placing your order.



button-fix™ A Flush Mount Hanging Solution



Button-fix is a hidden flush mount system that allows one to hang signs and panels with ease. Choose from either a screw mounted application or adhesive.

Button and Fix Sets

Wood Screw



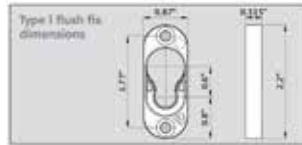
Item # 171-018-11

Euro Screw



Item # 171-018-12

Type1 Flush Mount



Button Parts

Metal



Item # 171-018-1



Item # 171-021-11

Button and Fix Sets

Wood Screw



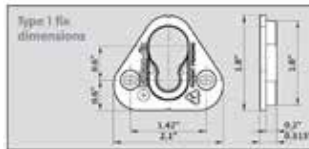
Item # 171-001-11

Euro Screw



Item # 171-001-12

Type 1



Button Parts



Item # 171-001-1

Button and Fix Sets

Wood Screw



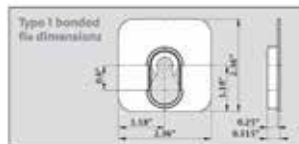
Item # 171-017-11

Euro Screw



Item # 171-017-12

Type1 Bonded



Button Parts



Item # 171-017-1

Button and Fix Sets

Wood Screw



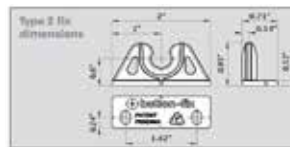
Item # 171-004-11

Euro Screw



Item # 171-004-12

Type 2 Side Fix



Button Parts



Item # 171-004-1

Starter Kit



Item # 171-001-20

Sample Kit



Item # 171-001-21

Button Screw

Wood Screw



Item # 171-002-1

Euro Screw



Item # 171-002-2





Visit website for technical information

The Button

There are two buttons to suit different screw types. These are color-coded lime green for #10 flat head wood screws, or orange for 6.2mm Varianta Euro screws (to fit pilot holes). Check with your panel supplier which screw type is best for your application.

Button marker accessory

The Button marker accessory helps to mark out where to install the Buttons. Once you have attached the Fix moldings, snap a marker into each one. Then position the second panel and press firmly. The markers will leave indents in the panel surface, which can be used as guides for drilling pilot holes for the Buttons. Remove the markers, which can be re-used to mark out the next panel.

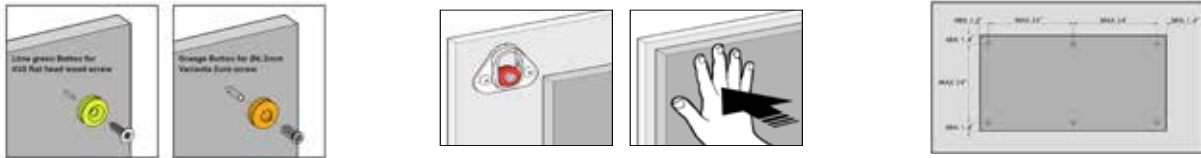


Suggested layout

As an approximate guide, we suggest that Button-fix centers are no greater than 24" apart and no closer than 1.4" to the edge of the panel. Always remember to allow at least 0.6" clearance for the removable panel to disengage.

Accessories

Button Marker	Fix Marker Tool	Safety Cord	Self Adhesive Fix Pad	Router Multijig
Item # 171-002-3	Item # 171-008-1	Item # 171-002-4	Item # 171-017-2	Item # 171-019-1



Feature of the Fix	Type 1 Flush	Type 1 Flush	Type 1	Type 1 Bonded	Type 2
Material	Nylon PA6	Zinc Allow	Nylon PA6	ABS	Nylon PA6
Connects face-to-face	✓	✓	✓	✓	
Connects at 90 Deg					✓
Drop down or sideways engagement	✓	✓	✓	✓	
Push-one engagement					✓
For use on fire- retardant panels		✓			
Surface mounted	✓	✓	✓	✓	✓
Semi-rebated/recessed		✓	✓	✓	
Fully rebated/recessed	✓				
Attached with screws	✓	✓	✓		✓
Bonded				✓	
Minimum panel thickness	3/4"	3/8"	3/8"	N/A	3/8"





Projecting Systems

Projecting Wall Mount



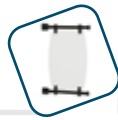
p80

Stainless Steel Flag Sign



p83

Projecting Rod Systems



p86

Sign Brackets



p88

Sneeze Guards



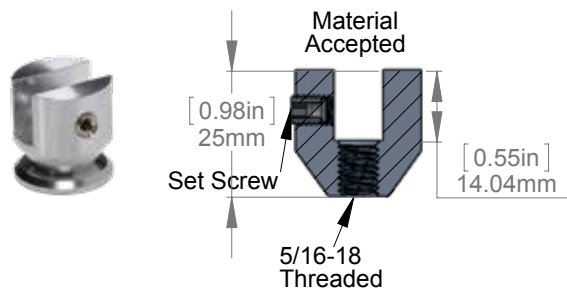
p90



Projecting Wall Mount

For Indoor Use Only

- 2 Different diameters 7/8" and 1"
- Only 1" height
- Material accepted 3/16" to 1/2"
- No material drilling needed
- Can be used with washer reinforcement



7/8" & 1" Diameter

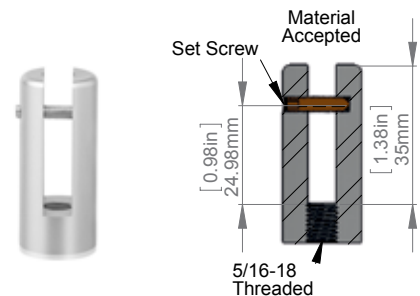
Diameter	Material Thickness Accepted	Aluminum						Stainless Steel	
7/8"	3/16"	PS125A	PS125AS	PS125B	PS125G	PS125AB	PS125T	PS125S	PS125P*
7/8"	1/4"	PS250A	PS250AS	PS250B	PS250G	PS250AB	PS250T	PS250S	PS250P*
7/8"	3/8"	PS375A	PS375AS	PS375B	PS375G	PS375AB	PS375T	PS375S	PS375P*
1"	1/2"	PS500A	PS500AS	PS500B	PS500G	PS500AB	PS500T	PS500S	PS500P*

i Use for drywall: Combination screw HB5/16-100 and anchor ANC5, ANC5Z
 Use for concrete: Combination screw HB5/16-100 and anchor ANC1

Washer Reinforcement

Diameter	Aluminum						Stainless Steel	
1"	PSW100A	PSW100AS	PSW100B	PSW100G	PSW100AB	PSW100T	PSW100S	PSW100P*

- 2 Different diameters 7/8" and 1"
- Only 1-3/4" height
- Material accepted 3/16" to 1/2"
- Material drilling 3/16"



7/8" & 1" Diameter

Diameter	Material Thickness Accepted	Aluminum						Stainless Steel	
7/8"	1/4"	PGS250A	PGS250AS	PGS250B	PGS250G	PGS250AB	PGS250T	PGS250S	PGS250P*
7/8"	3/8"	PGS375A	PGS375AS	PGS375B	PGS375G	PGS375AB	PGS375T	PGS375S	PGS375P*
7/8"	1/2"	PGS500A	PGS500AS	PGS500B	PGS500G	PGS500AB	PGS500T	PGS500S	PGS500P*
1"	3/4"	PGS750A	PGS750AS	PGS750B	PGS750G	PGS750AB	PGS750T	PGS750S	PGS750P*

i Use for drywall: Combination screw HB5/16-100 and anchor ANC5, ANC5Z
 Use for concrete: Combination screw HB5/16-100 and anchor ANC1

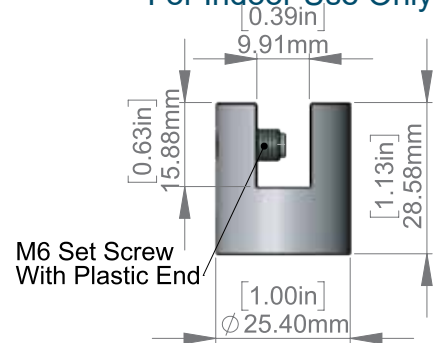


Projecting Wall Mount

- 2 Different diameters 3/4" and 1"
- Only 1-1/8" height
- Material accepted up to 3/8"
- No material drilling needed



For Indoor Use Only



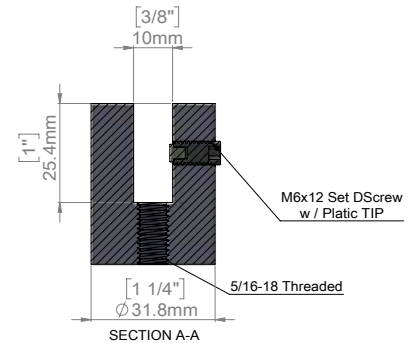
3/4" & 1" Diameter

Diameter	Material Thickness Accepted	Aluminum						Stainless Steel	
3/4"	1/4"	HM075-100A	HM075-100AS	HM075-100B	HM075-100G	HM075-100AB	HM075-100T	HM075-100S	HM075-100P*
1"	3/8"	HM5010A	HM5010AS	HM5010B	HM5010G	HM5010AB	HM5010T	HM5010S	HM5010P*

i Use for drywall: Screw 2208 and anchor ANC5, ANC5Z
 Use for concrete: Screw 2208 and anchor ANC1

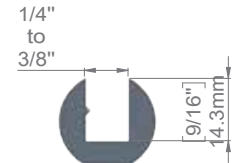
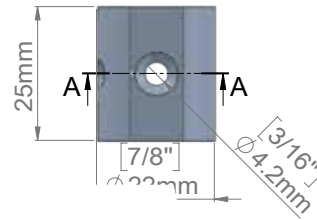
1-1/4" Diameter

Diameter	Thread	Thickness Material Accepted	Aluminum	
1-1/4"	5/16-18	3/8"	SM38CH	SM38SC



i Use for drywall: Combination screw HB5/16-100 and anchor ANC5, ANC5Z
 Use for concrete: Combination screw HB5/16-100 and anchor ANC1

- 7/8" Diameter
- Only 1" height
- Material accepted up to 3/8"
- No material drilling needed



7/8" Diameter

Diameter	Material Thickness Accepted	Aluminum						Stainless Steel	
7/8"	1/4" to 3/8"	PS078-100A	PS078-100AS	PS078-100B	PS078-100G	PS078-100AB	PS078-100T	PS078-100SS	PS078-100SP*

i Use for drywall: Screw 2208 and anchor ANC5, ANC5Z
 Use for concrete: Screw 2208 and anchor ANC1



Stainless Steel Projecting Wall Mount

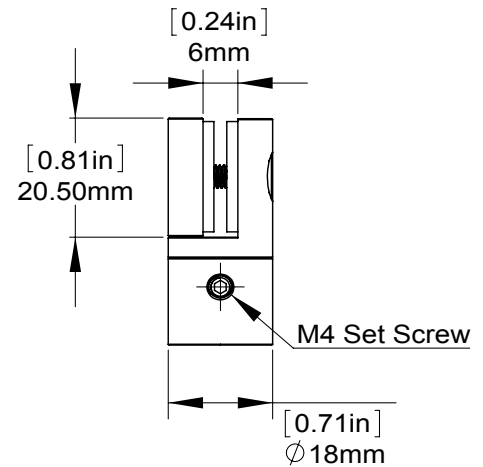
For Indoor Use Only

- Designed from high quality stainless steel
- Designed for flat material signs

3/4" Diameter

Mounting Diameter	Item #
3/8"	100.322

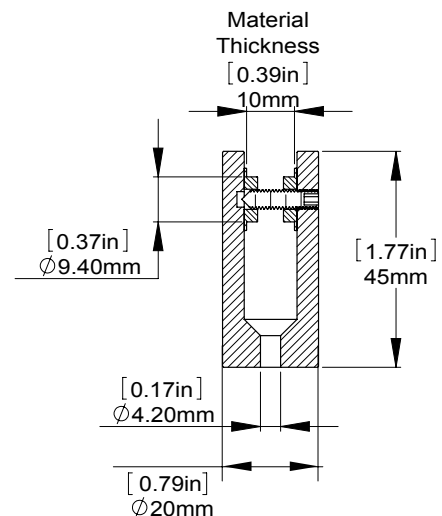
- i** Use for drywall: Screw 2216 and anchor ANC6, ANC6Z
 Use for concrete: Screw 2216 and anchor ANC2
 Thickness of material accepted: 1/4"



3/4" Diameter

Mounting Diameter	Holds	Item #
3/8"	3/8"	100.206

- i** Use for drywall: Screw 2216 and anchor ANC6, ANC6Z
 Use for concrete: Screw 2216 and anchor ANC2
 Thickness of material accepted: 3/8"



Stainless Steel Flag Sign

For Indoor Use Only

Flag sign includes:

- 2 glasses 7-1/16" × 7-1/16" × 3/16"
- High grade stainless steel round bar
- 2 point wall attachment
- Art and hardware not included
- Use for drywall: screw 2216 and anchor ANC6, ANC6Z
- Use for concrete: screw 2216 and anchor ANC2
- Insert sheet: clear, fuzzy, white
- Item # 160.304SHT

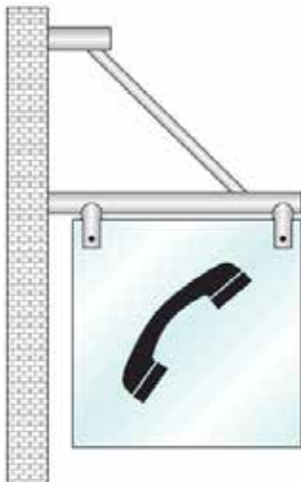
#1
BEST SELLER



Item #: 160.304



Visit website for technical information



Stainless Steel and Aluminum Projecting

For Indoor Use Only



Diameter	Material Thickness Accepted	Comments	Aluminum						Stainless Steel	
			Clear	Shiny	Black	Gold	Bronze	Titanium	Brushed	Polished
5/8"	1/8" to 1/4"	Set of 2								
			WMC058A	WMC058AS	WMC058B	WMC058G	WMC058AB	WMC058T	WMC058SS	WMC058SP

Stainless Steel Projecting Wall Mount Rounded

- Wall mounted side standoffs
- Designed from high quality stainless steel
- Designed for flat material signs
- Thickness of material accepted: up to 5/16"
- Requires (2.5mm) allen key

Material Thickness Accepted	Item #
up to 5/16"	100.154

i Use for drywall: screw 2216 and anchor ANC6, ANC6Z
Use for concrete: screw 2216 and anchor ANC2

- Set of 2 Wall mounted side standoffs
- Designed from high quality stainless steel
- Designed for flat material signs
- Thickness of material accepted: 2 @ 3/16" or 1 @ 5/16"

Material Thickness Accepted	Item #
3/16" to 5/16"	100.320

i Use for drywall: screw 2216 and anchor ANC6, ANC6Z
Use for concrete: screw 2216 and anchor ANC2



Visit website for technical information

Assembly Instructions

Tools required M4 Hex key, Phillips Screwdriver



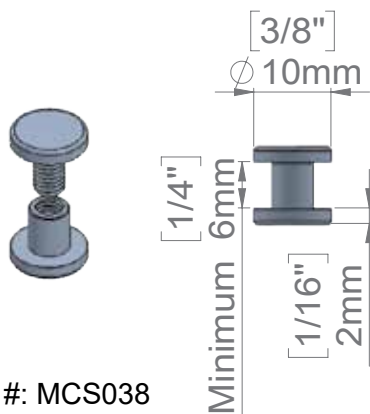
Material Connector

For Indoor Use Only

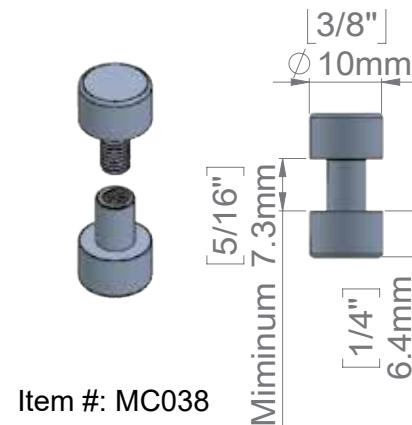
- Designed from high quality stainless steel and aluminum
- Designed for flat material signs
- 3 Finishes
- 1/4" To 1/2" thick, material accepted



Item #: 100.020



Item #: MCS038



Item #: MC038

Diameter	Mounting Diameter	Material Thickness Accepted	Head	Aluminum		Stainless Steel
						
				Clear Anodized	Black Anodized	Brushed
3/8"	1/4"	5/16" to 1/2"	Flat 1/4" Thick.	MC038A	MC038B	MC038S
3/8"	1/4"	1/4" to 3/8"	Flat 1/16" Thick.	MCS038A	MCS038B	MCS038S
1/2"	3/8"	3/16" to 5/16"	Flat	N/A	N/A	100.020

Projecting Rod Systems 3/8" Diameter

For Indoor Use Only

PATENT
PENDING

- 3/8" Diameter Arm (2x)
- 2 Point wall attachment
- 4 Forks for material up to 5/16" Thick.
- Acrylic not included

Optional:




Set of (2) 3 Hole Mounting Plate

Set of (2) End balls



Visit website for technical information



Description	Diameter	Mounting Diameter	Material Thickness Accepted	Material Width Accepted	Aluminum	
						
					Clear Anodized	Matte Black
Set of 2 Projection Rods Sold Without Acrylic	3/8"	1"	Up to 5/16"	Up to 8"	RPS8A	RPS8MB
				Up to 12"	RPS12A	RPS12MB
				Up to 16"	RPS16A	RPS16MB
				Up to 20"	RPS20A	RPS20MB
				Up to 24"	RPS24A	RPS24MB
(2) Mounting Plates w/ 3 holes	1-15/16"	1-15/16"	N/A	N/A	RPSWMA	RPSWMMB
 (2) End Ball for Rod	5/16"	3/8"	N/A	N/A	ROD310-REA	ROD310-REMB

Use for drywall: screw 2216 and anchor ANC6, ANC6Z
Use for concrete: screw 2216 and anchor ANC2

Optional:



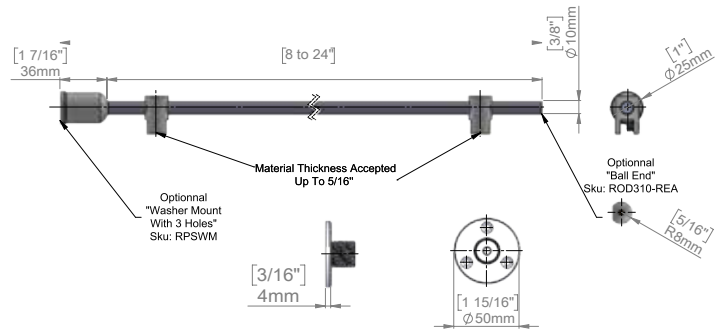
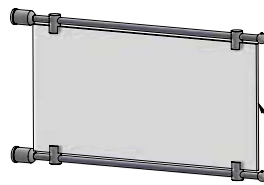
Set of (2)
3 Hole Mounting Plates
Item #: RPSWM*



Set of (2) End balls
Item #: ROD310-RE*

Projecting Rod Systems 3/8" Diameter

For Indoor Use Only



PATENT
PENDING



Optional:
3 Hole Mounting Plates

Aluminum Sign Brackets

A Perfect Wayfinding Solution



Visit website for technical information

Our aluminum sign brackets are constructed of high-quality materials and provide the sturdy support you need to secure your project. We have a variety of lengths and finishes that can hold either 1/8" or 1/4" material thickness. You can mount the sign brackets to most surfaces to help point people in the right direction.

Length	Material Thickness Accepted	Aluminum Clear	Aluminum Polished	Aluminum Matte Black
2"	1/4"	ASB14-2A	ASB14-2AP	ASB14-2MB
	1/8"	ASB18-2A	ASB18-2AP	ASB18-2MB
4"	1/4"	ASB14-4A	ASB14-4AP	ASB14-4MB
	1/8"	ASB18-4A	ASB18-4AP	ASB18-4MB
6"	1/4"	ASB14-6A	ASB14-6AP	ASB14-6MB
	1/8"	ASB18-6A	ASB18-6AP	ASB18-6MB
8"	1/4"	ASB14-8A	ASB14-8AP	ASB14-8MB
	1/8"	ASB18-8A	ASB18-8AP	ASB18-8MB
10"	1/4"	ASB14-10A	ASB14-10AP	ASB14-10MB
	1/8"	ASB18-10A	ASB18-10AP	ASB18-10MB
12"	1/4"	ASB14-12A	ASB14-12AP	ASB14-12MB
	1/8"	ASB18-12A	ASB18-12AP	ASB18-12MB
18"	1/4"	ASB14-18A	ASB14-18AP	ASB14-18MB
	1/8"	ASB18-18A	ASB18-18AP	ASB18-18MB
24"	1/4"	ASB14-24A	ASB14-24AP	ASB14-24MB
	1/8"	ASB18-24A	ASB18-24AP	ASB18-24MB
36"	1/4"	ASB14-36A	ASB14-36AP	ASB14-36MB
	1/8"	ASB18-36A	ASB18-36AP	ASB18-36MB
48"	1/4"	ASB14-48A	ASB14-48AP	ASB14-48MB
	1/8"	ASB18-48A	ASB18-48AP	ASB18-48MB
96"	1/4"	ASB14-96A	ASB14-96AP	ASB14-96MB
	1/8"	ASB18-96A	ASB18-96AP	ASB18-96MB

i 24" and below, bracket comes pre-drilled, pre-tapped and with screws
 36" and above, bracket does not come pre-drilled pre-tapped and without screws



Solid Steel Powder Coated Double Panel Stand

Why Limit Yourself to Walls and Ceilings? Use This Beautifully Designed Standing Sign Base to Create an Incredible and Portable Sign Display!

Maximum panel thickness accepted: 3/4"

Sizes: 14" x 14" x 4"

Weight: 3.6 lbs

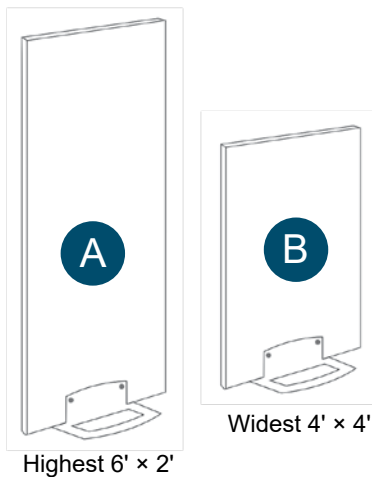
Item # : PS370



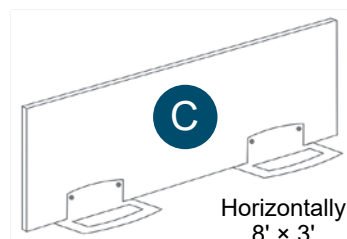
Visit website for technical information



3 WAYS TO ENJOY IT!

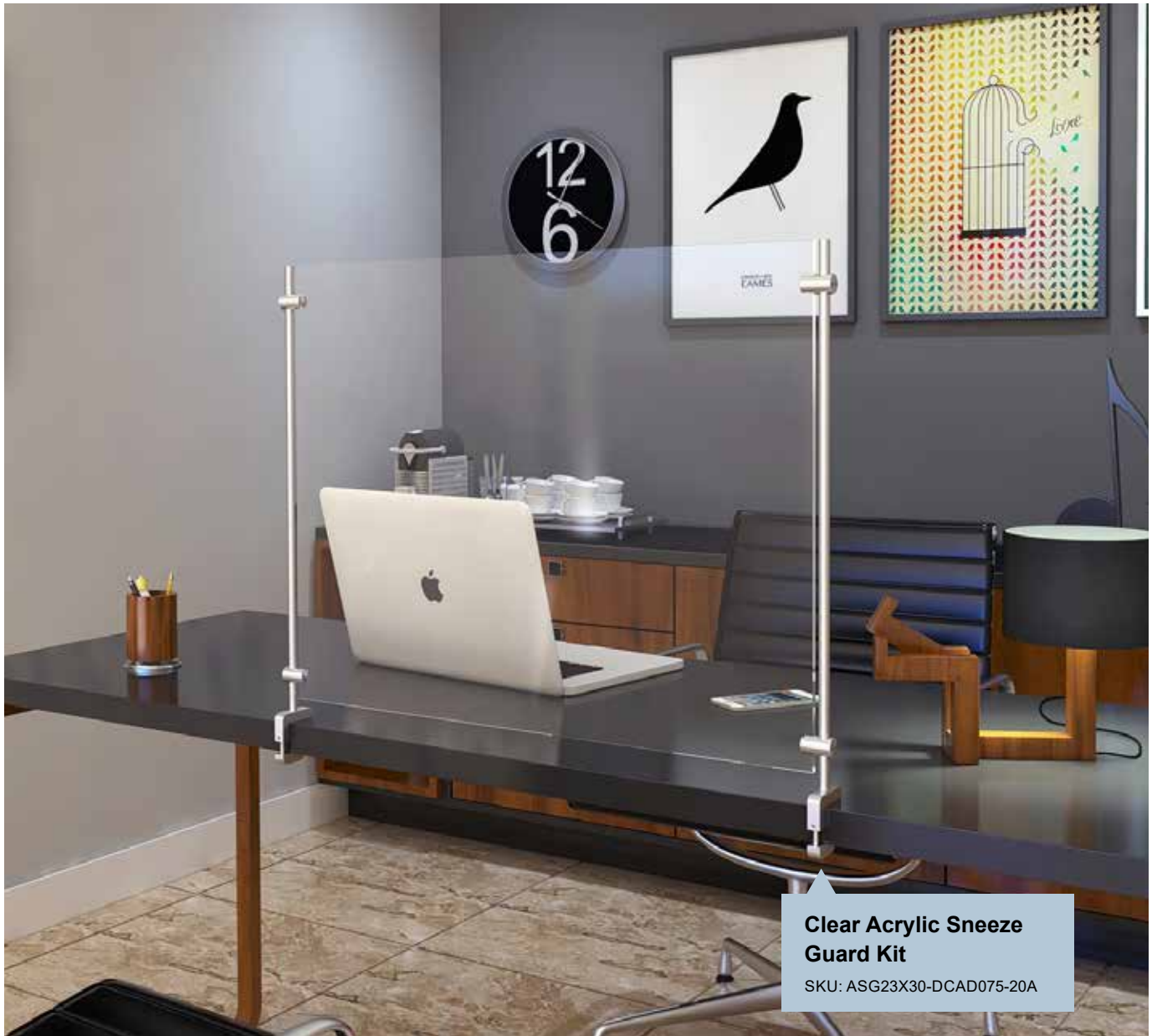


*Sold Without Panel



INSTALLATION

1. Unscrew the caps from the base and remove the steel retaining panel. Place your material against the sign base and thread your screws through your material.
2. Place the steel retaining panel on the other side of your material, slide the screws through, and tighten the caps until snug.
3. Take a step back and admire your gorgeous display!



**Clear Acrylic Sneeze
Guard Kit**

SKU: ASG23X30-DCAD075-20A

Sneeze Guards

Custom Sneeze Guards
for your Business
or Home Office



CUB250A

Adjustable Clamp
for Cubicles

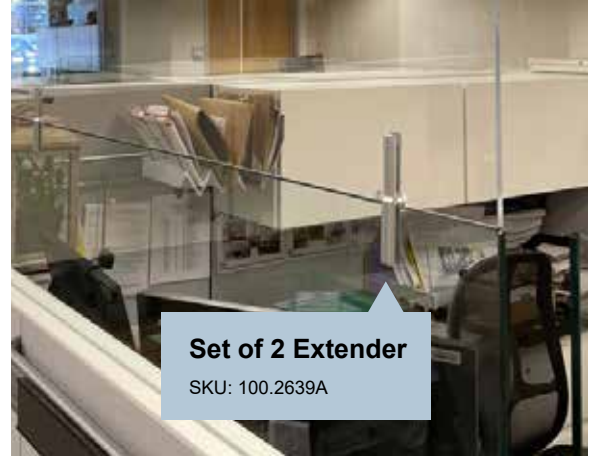


CLP118A


Set of 2 Clamps

Sneeze Guards



Custom Sneeze Guards for your Business or Home Office



Standard Sneeze Guard


Description	Material	Length	Color	Diameter	Item #
 <p>Rod Projecting Sign Set Includes: 2 x Rods 4 x Clamps 2 x Bases</p>	Aluminum	8"	Clear Anodized	3/8"	RPS8A
		8"	Matte Black Anodized		RPS8MB
		12"	Clear Anodized		RPS12A
		12"	Matte Black Anodized		RPS12MB
		16"	Clear Anodized		RPS16A
		16"	Matte Black Anodized		RPS16MB
		20"	Clear Anodized		RPS20A
		20"	Matte Black Anodized		RPS20MB
		24"	Clear Anodized		RPS24A
		24"	Matte Black Anodized		RPS24MB

Economical Sneeze Guard





Description	Material	Length	Color	Diameter	Item #
 <p>Rod Projecting Mount Set Includes: 2 x Rods 4 x Clamps 2 x Bases</p>	Aluminum	20"	Clear Anodized	3/8"	RPSL20A
	Aluminum		Matte Black Anodized		RPSL20MB
	Stainless Steel		Satin Brushed		RPSL20S
	Aluminum		Clear Anodized		RPSL24A
	Aluminum		Matte Black Anodized		RPSL24MB
	Stainless Steel		Satin Brushed		RPSL24S
	Aluminum		Clear Anodized		RPSL36A
	Aluminum		Matte Black Anodized		RPSL36MB
	Stainless Steel		Satin Brushed		RPSL36S
 <p>Oval No Hole Mounting Plate (Set of 2)</p>	Aluminum	5"	Clear Anodized	Oval	RPSL155A
			Matte Black Anodized		RPSL155MB
 <p>Rectangular No Hole Mounting Plate (Set of 2)</p>	Aluminum	6"	Clear Anodized	1" x 6"	RPSL25-6A
			Matte Black Anodized		RPSL25-6MB



Acrylic Sneeze Guard Feet

Description	Material	Diameter	Color	Thickness Material Accepted	Item #	
	Aluminum	5/8"	Clear Anodized	0" and 5/16"	SG28X30-FT300A	
	Aluminum		Matte Black Anodized		SG28X30-FT300B	
	Aluminum		Clear Acrylic		SG28X30-FT300C	
	Stainless Steel		Stainless Steel		SG28X30-FT300SS	
	Clear Acrylic Sneeze Guard Feet / Side Protector (Set of 2)		Aluminum		Clear Anodized	SG28X30A
	Aluminum		Matte Black Anodized		SG28X30B	
	Aluminum		Clear Acrylic		SG28X30C	
	Stainless Steel		Stainless Steel		SG28X30SS	

Sneeze Guard Parts

Description	Material	Diameter	Color	Thickness Material Accepted	Item #
	Aluminum	5/8"	Clear Anodized	3/8"	AAF058A
			Black Anodized		AAF058B
	Aluminum	5/8"	Clear Anodized	5/16"	PS0380A
	Aluminum		Black Anodized		PS0380B
	Acrylic		Clear Acrylic		PS0380C
	Stainless Steel		Satin Brushed		PS0380SS
	Aluminum	1/2"	Clear Anodized	3/16"	PS05062A
	Aluminum		Black Anodized		PS05062B
	Acrylic		Clear Acrylic		PS05062C
	Stainless Steel		Satin Brushed		PS05062SS
	Aluminum	5/8"	Clear Anodized	3/8"	100.010A
	Aluminum		Black Anodized		100.010B
	Stainless Steel		Satin Brushed		100.010SS

Clamp Sneeze Guard

Description	Material	Diameter	Color	Thickness Material Accepted	Item #
 <p>Adjustable Clamp for Cubicles (Set of 2)</p>	Aluminum	1-9/16"	Clear Anodized	1-3/4" to 2-3/8"	CUB250A
		1-9/16"	Matte Black Anodized		CUB250MB
 <p>Extension Pin (Set of 4)</p>	Aluminum	1-9/16"	Clear Anodized	2-1/2" to 3-1/2"	CUBEX358
 <p>Vertical Rod Mount Set includes: 2 x Rods 4 x Clamps 2 x Bases</p>	Aluminum	20"	Clear Anodized	3/4" to 1-1/2"	DCAD075-20A
		20"	Matte Black Anodized		DCAD075-20MB
		24"	Clear Anodized		DCAD075-24A
		24"	Matte Black Anodized		DCAD075-24MB
		36"	Clear Anodized		DCAD075-36A
		36"	Matte Black Anodized		DCAD075-36MB
 <p>Adjustable Clamp for Counters (Set of 2)</p>	Aluminum	20"	Clear Anodized	3/4" to 1-1/2"	DCAD075A
			Matte Black Anodized		DCAD075MB
 <p>Extension Pin</p>	Aluminum	3/8"	Clear Anodized	1-1/2" to 2-1/2"	DCAD075A
			Clear Anodized	1-3/4" to 2-3/8"	DCAD075MB
 <p>Clamp (Set of 2)</p>	Aluminum	1-3/4"	Clear Anodized	1" to 1-1/8"	CLP118A
			Matte Black Anodized		CLP118MB
			Clear Anodized	1-1/2" to 1-5/8"	CLP158A
			Matte Black Anodized		CLP158MB
 <p>Clamp (Set of 2)</p>	Aluminum	1-3/4"	Clear Anodized	1" to 1-1/8"	CP175A
			Matte Black Anodized		CP175MB
 <p>Extender (Set of 2)</p>	Aluminum	1-3/4"	Clear Anodized	3/8"	100.2639A
			Matte Black Anodized		100.2639MB
			Clear Anodized	1/2"	100.2652A
			Matte Black Anodized		100.2652MB



Suspended Systems

Suspended System Parts



p96

Cable & Rod Banner Hanger



p104

Suspended Cable Kits



p100

Hooks for Stainless Steel and Nylon Cable



p105

Suspended Rod Kits



p102

Sign Hangers for Panels & Brackets



p106

Suspended System

HUGE SELECTION OF KITS ON OUR WEBSITE

- MBS offers a wide variety of high quality suspended systems that perform better than any other
- Increased ceiling load, and reduced installation time
- There is an abundance of kits available – Sky’s the limit!
- All of our suspended systems have installation guides along with updated Youtube videos to help you along the way



Item #: SK1S-120

Suspended Kits

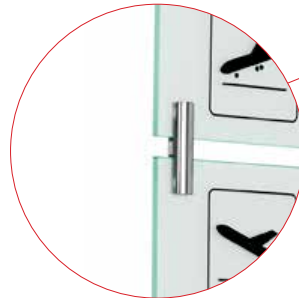
2 TClamps • 2 Cables • 2 Hooks

Cable Type	Diameter	48"	72"	96"	120"
Stainless Steel Cable	1/16"	SK1S-48	SK1S-72	SK1S-96	SK1S-120
Nylon Cable	1/16"	SK1N-48	SK1N-72	SK1N-96	SK1N-120



Suspended System

- Ceiling mounted glass holder
- Designed from high quality material
- Stainless Steel and Aluminum for hanging signs
- Socket head cap screw to attach cable
- Maximum width between each cable is 24"

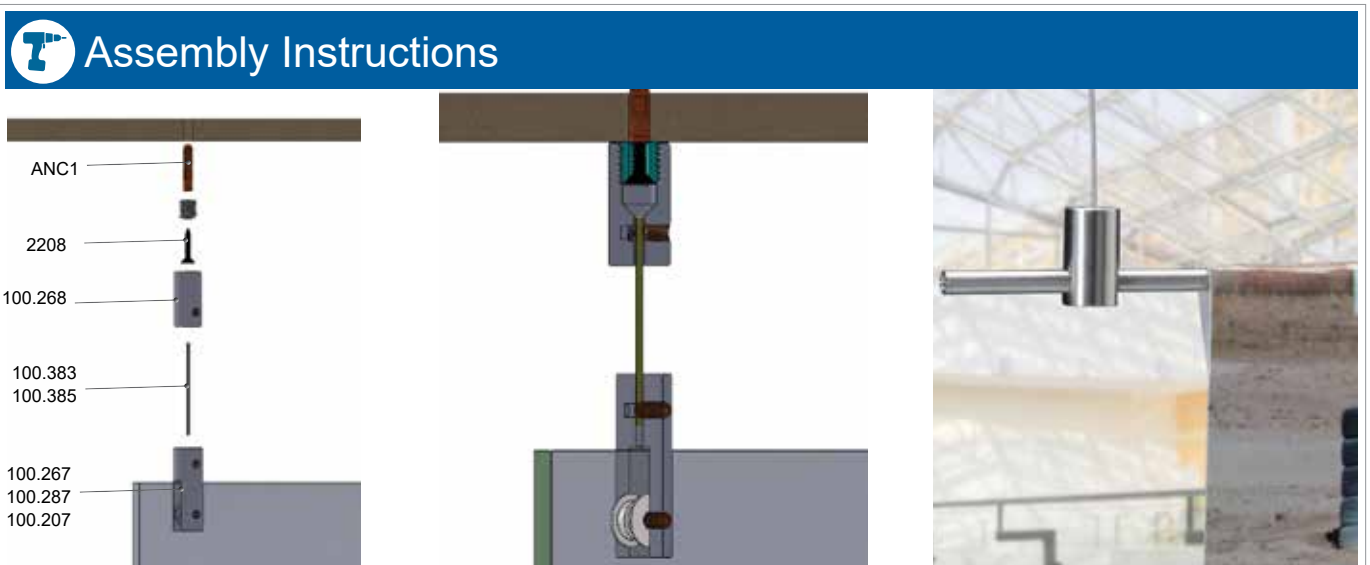


Item #: 100.269






Description	Diameter	Length	Item
Concrete Anchor for Screw	#6	1-1/8"	ANC1
Stainless Steel Screw	#6	1-1/2"	2208
Ceiling Mounted	5/8"	1-3/16"	100.268
Stainless Steel Cable	1/16"	9' 10" 16' 4"	100.383 100.385
Stainless Steel Hanging Fork	5/8" 11/16" 11/16"	1-3/4" 2" 1-3/4"	100.267 100.287 100.207
Double Sided Hanging Fork	5/8"	2-1/4"	100.269

i Use for drywall: screw 2208 and anchor ANC5, ANC5Z
Use for concrete: screw 2208 and anchor ANC1



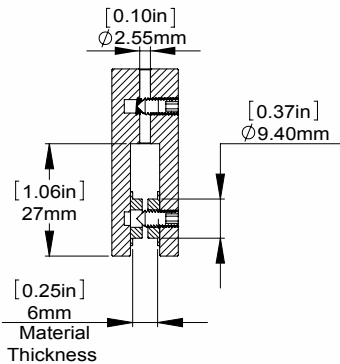
Stainless Steel Suspended System

Ceiling & Material Mounts

Finish	Diameter	Cable Diameter	Mounting Diameter	Material Thickness Accepted	Item #
 Satin Brushed	5/8"	1/16" to 1/8"	3/8"	N/A	100.268
	5/8"	1/16" to 1/8"	3/8"	1/4"	100.267
 Satin Brushed	5/8"	1/16" to 1/8"	3/8"	5/16"	100.287
	5/8"	1/16" to 1/8"	3/8"	3/8"	100.207
 Satin Brushed	5/8"	N/A	3/8"	1/4"	100.269

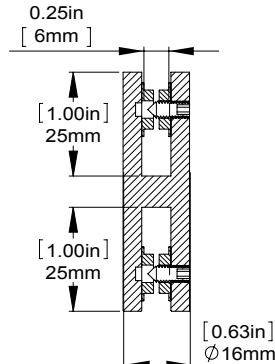
i Use for drywall: screw 2208 and anchor ANC5, ANC5Z
Use for concrete: screw 2208 and anchor ANC1

5/8" Diameter "Hanging Fork"

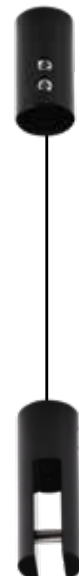


Item #: 100.267

5/8" Diameter "Hanging Fork Link"



Item #: 100.269



Aluminum Suspended System

Ceiling Mounts


Diameter	Cable Diameter	Mounting Diameter	Material Thickness Accepted	Clear	Shiny	Black	Gold
5/8"	1/16"	3/8"	N/A				
				100.268A	100.268AS	100.268B	100.268G

i Use for drywall: screw 2208 and anchor ANC5, ANC5Z
Use for concrete: screw 2208 and anchor ANC1


Material Mounts

Diameter	Cable Diameter	Mounting Diameter	Material Thickness Accepted	Clear	Shiny	Black	Gold
5/8"	1/16"	3/8"	1/4"				
	1/16"	3/8"	5/16"	100.267A	100.267AS	100.267B	100.267G
	1/16"	3/8"	5/16"	100.287A	100.287AS	100.287B	100.287G


Cable




Description	Diameter	Length: 48"	Length: 72"	Length: 96"	Length: 120"
Looped Stainless Steel Cable	1/16"	SHC-48	SHC-72	SHC-96	SHC-120
Looped Nylon Cable	1/16"	NHC-48	NHC-72	NHC-96	NHC-120



Description	Diameter	Length	Item
Stainless Steel Cable	1/16"	9' 10" (118")	100.383
	1/16"	16' 4" (196")	100.385
Galvanized Steel	1/16"	6' (72")	100.390
	1/16"	16' 4" (196")	100.391
	1/16"	10,500ft	GC116-43*


 *This is a Special Order Item

Accessories



Material	Finish	Item #
Aluminum	Steel Painted White	TCLAMP
		TCLAMP1
Plastic	Clear Acrylic	TCLAMP2
Aluminum	Clear Anodized	TCLAMPK1

 Use Tclamp to attach to drop ceiling. Then flip hanging fork upside down to attach to clamp or use looper cable.



Description	Item #
Steel wire cutter	CABLECUTTER



Suspended Cable Kits

For Signage, Displays and Wayfinder






Automatic cable mechanism
Item #: SUSKIT1



Suspended Kits Includes:

- (2) Ceiling mounts
- (2) 2' Cable
- (2) Forks



	Description	Finish	Item #
	Suspended Kit (2 Pieces) Hang 1/4" Material	Polished	SUSKIT1
	Suspended Kit (2 Pieces) Hang to 1/4" Material	Clear Anodized	SUSKIT2A
	Suspended Kit (2 Pieces) Hang to 1/4" Material	Matte Black	SUSKIT2MB

 Mounting Hardware Included



Aluminum Suspended Kit Includes:

- (1) Ceiling mount
- (1) 6'6" Cable
- (1) Fork

	Description	Finish	Item #
	Suspended Cable Kit Heavy Duty Material Thickness: 1/8" to 5/16" Cable: 1/16" x 6' 6"	Clear Anodized	ACG1902HD
	Suspended Cable Kit Heavy Duty Material Thickness: 1/8" to 1/2" Cable: 1/8" x 6' 6"		ACG31902

 Mounting Hardware Included

Suspended Cable Kits

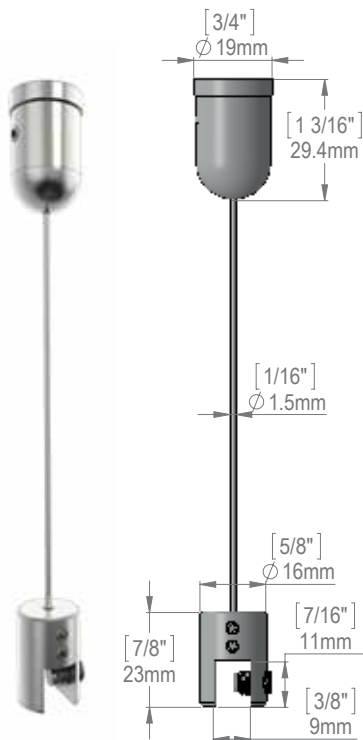
Single Suspended – For Signage and Displays

Aluminum

Panel Thickness: minimum 1/8"
maximum 5/16"

Aluminum Suspended Kit Includes:

- (1) Ceiling mount
- (1) Cable 6' 6" long, diameter 1/16"
- (1) Panel mount holder
- Mounting hardware included



Aluminum Clear Anodized

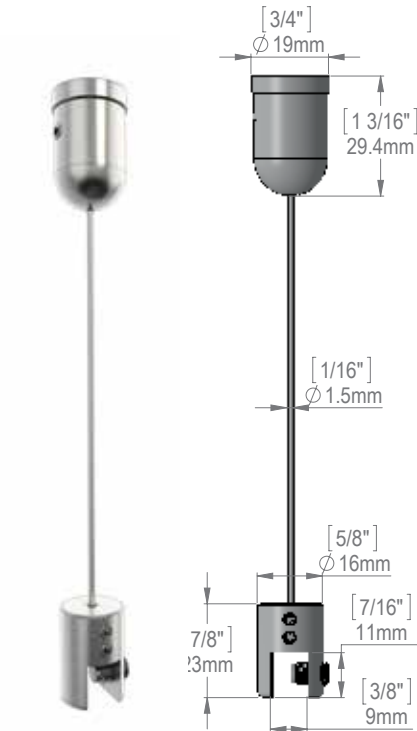
Item # ACG1902

Stainless Steel

Panel Thickness: minimum 1/8"
maximum 5/16"

Stainless Steel Suspended Kit Includes:

- (1) Ceiling mount
- (1) Cable 6' 6" long, diameter 1/16"
- (1) Panel mount holder
- Mounting hardware not included



Satin Stainless Steel

Item # SCG1902



Suspended Rod Kits

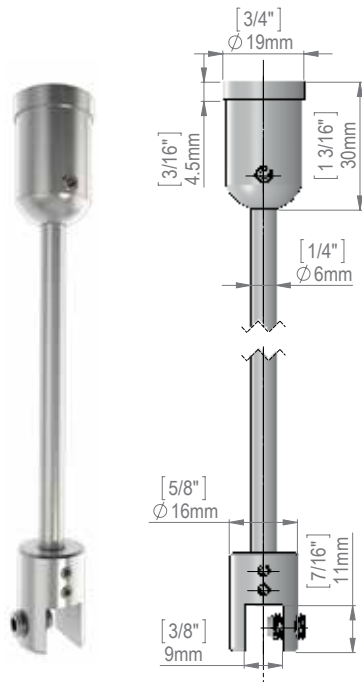
For Signage and Display

Aluminum

Panel Thickness: minimum 1/8", maximum 5/16"

Aluminum Suspended Kit Includes:

- (1) Ceiling mount, 1 aluminum rod diameter: 1/4"
- (1) Panel mount holder
- ARG1902-1 L: 3'
- ARG1902-2 L: 4'11" (stainless steel rod)
- ARG1902-3 L: 6'
- ARG1902-4 L: 9'
- Mounting hardware included



Visit website for technical information

Aluminum Clear Anodized

Item # ARG1902-**

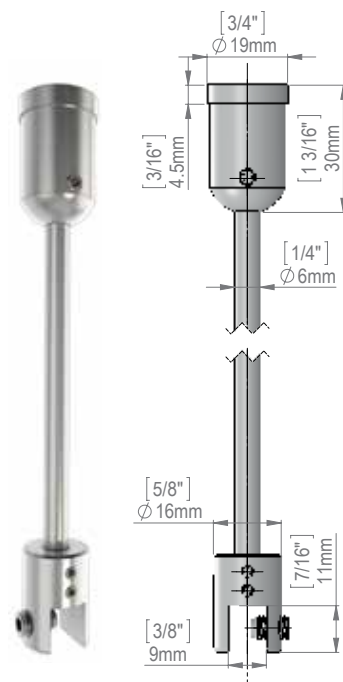
i * Choose a number 1-4 to depict length of rod you need

Stainless Steel

Panel Thickness: minimum 1/8", maximum 5/16"

Stainless Steel Suspended Kit Includes:

- (1) Ceiling mount, 1 SS rod diameter: 1/4"
- (1) Panel mount holder
- SRG1902-1 L: 3'
- SRG1902-2 L: 4'11"
- SRG1902-3 L: 6'
- SRG1902-4 L: 9'
- Mounting hardware not included





Visit website for technical information

Satin Stainless Steel

Item # SRG1902-**

Accessories

	Description	Item #
	Nut and Ceiling Support For Ceiling Rod Suspended Aluminum Kit	ARG1902EP
	Nut Support (Threaded M4) For Ceiling Rod Suspended Aluminum Kit	ARG1902N

Suspended Rod Kits

For Signage and Display

Ceiling Mounts



Item #: 100.268



Item #: 100.268A / 100.268B / 100.268G



Item #: 110.000



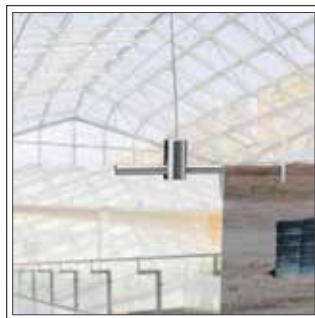
Item #: 110.100



Item #: 100.383 / 100.385 / 100.391

Finish	Cable Grip Method	Diameter	Cable Diameter	Item #
Satin Brushed	Tightening Set Screw	5/8"	1/8"	100.268
Anodized Aluminum	Tightening Set Screw	5/8"	1/8"	100.268A/B/AS/G
Nickel	Self-Gripping	N/A	1/8"	110.000
Nickel	Self-Gripping for Aluminum Profile	N/A	1/8"	110.100
Stainless Steel Cable Diameter: 1/16" Length 9' 10" (118"). Maximum weight supported: 55 lbs (25 kg)				100.383
Stainless Steel Cable Diameter: 1/16" Length 16' 4" (196"). Maximum weight supported: 55 lbs (25 kg)				100.385
Galvanized Steel Cable: 1/16" Length 6' (72"). Maximum weight supported: 55 lbs (25 kg)				100.390
Galvanized Steel Cable Diameter: 1/16" Length 16' 4" (196"). Maximum weight supported: 55 lbs (25kg)				100.391

Banner Mounts



Aluminum
Item #: SR063A



Stainless Steel
Item #: SR063

Description	Diameter	Cable Diameter	Aluminum			Stainless Steel
			Clear Anodized	Black Anodized	Titanium Anodized	Satin Brushed
Rod Cable / Rod Connector	5/8"	1/16"	SR063A	SR063B	SR063T	SR063
36" Rod Threaded Each end	1/4"	1/16"	ROD3A	ROD3B	ROD3T	ROD3

Rod Banner Hanger

For Signage, Displays, Posters and Graphics






- Easy to use design for quick installation every time
- Contemporary styling
- A variety of applications



Item #: SA1600A



Item #: ASA1724

Description	Diameter	Aluminum Clear Anodized	Stainless Steel Satin Brushed
 Rod Ceiling Mount	5/8"	100.363	100.363-R 100.363-SR
 Wall Mount	11/16"	ASA1724	SSA1724
 Rod	1/4"	ROD3A	ROD3
 Junction Part	7/8"	SA1600A	N/A
 36" Pipe	5/8"	PIPE-16A	N/A

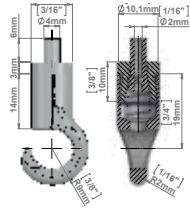


Hooks for Stainless Steel and Nylon Cable

Brass



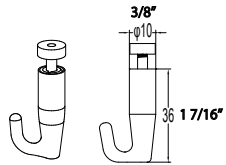
Item #: H103NK



Item #: GH0012



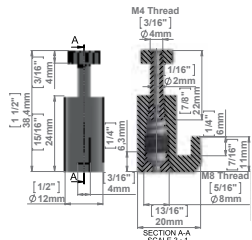
Item #: H104NK



Item #: GH0013



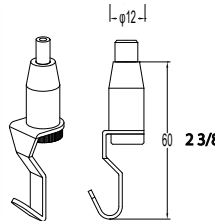
Item #: H105NK



Item #: GH0014



Item #: SGH100





Item #: GH0015

Finish	Use	Diameter	Strength	Use
Nickle	Ball End, Cobra Cable, "P" Hook Cable	3/64" to 1/16"	15 lbs (6kg)	Classic Rail, Ceiling Rail, Easy Rail


Sign Hangers for Panels & Brackets

Sooper Sign Hanger

Finish	Dimensions	Material Thickness	Material	Item #	
	Mill	1" x 3"	1/2"	Stainless Steel	29511-500
	Mill		3/4"	Stainless Steel	29511-750
	White Coated	1" x 3"	1/2"	Aluminum	29511-500W
	White Coated		3/4"	Aluminum	29511-750W



- Bolts through sign.
- Clean Finish look.

Sooper Center Brackets

Finish	Dimensions	Material Thickness	Material	Item #
	2"H x 2-5/16"W x 1-1/2"D	1/4"	Aluminum	CBA9025W
	2"H x 2-1/2"W x 1-1/2"D	1/2"		CBA9050W
	2"H x 2-3/4"W x 1-1/2"D	3/4"		CBA9075W

- Mount Solid Substrate between post or off wall.
- Can use Sooper Center Brackets for added strength.
- Aluminum White Powder Coated finish will not rust.

Sooper U Brackets

Finish	Dimensions	Material Thickness	Material	Item #
	2"H x 2-5/16"W x 1-9/16"D	1/4"	Steel	UB025Z
	2"H x 2-1/2"W x 1-9/16"D	1/2"		UB050Z
	2"H x 2-3/4"W x 1-9/16"D	3/4"		UB075Z
	2"H x 2-5/16"W x 1-9/16"D	1/4"	Aluminum	UB025W
	2"H x 2-1/2"W x 1-9/16"D	1/2"		UB050W
	2"H x 2-3/4"W x 1-9/16"D	3/4"		UB075W

- This U shaped end bracket utilized on a wall, desktop or ceiling is quite versatile.
- For use in all sorts of different mounting applications.



We are pleased to announce the launch of our brand new website
mbs-signsupply.com



Digital Media



Vinyls & Application Tapes



Vehicle Wraps



Wrap Tools



Paper Materials



Frames & Displays



RLM Sign Lights



Standoff Systems



Sign Brackets



Substrates



Vinyl Racks



Banner Stands



Sign Stakes



Sneeze Guard Kits

Any questions? Get in touch with us.
contact@mbs-signsupply.com or Call us 1 (303) 935-8565



AMERICA'S # 1 CHOICE FOR STANDOFFS



Cable / Rod Systems

Signature Cable Systems



p110

Cable Kits



p112

Rod Kits



p119

Panel Grippers



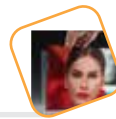
p112

Shelf Support



p125

Acrylic Sign Holders



p126

Row Cable Systems



p128

LED Poster Holder



p130

1/4" Rod Sign Holder



p132

Aluminum Track and Accessories



p135

Magnetic Pot



p137



Signature Cable Systems

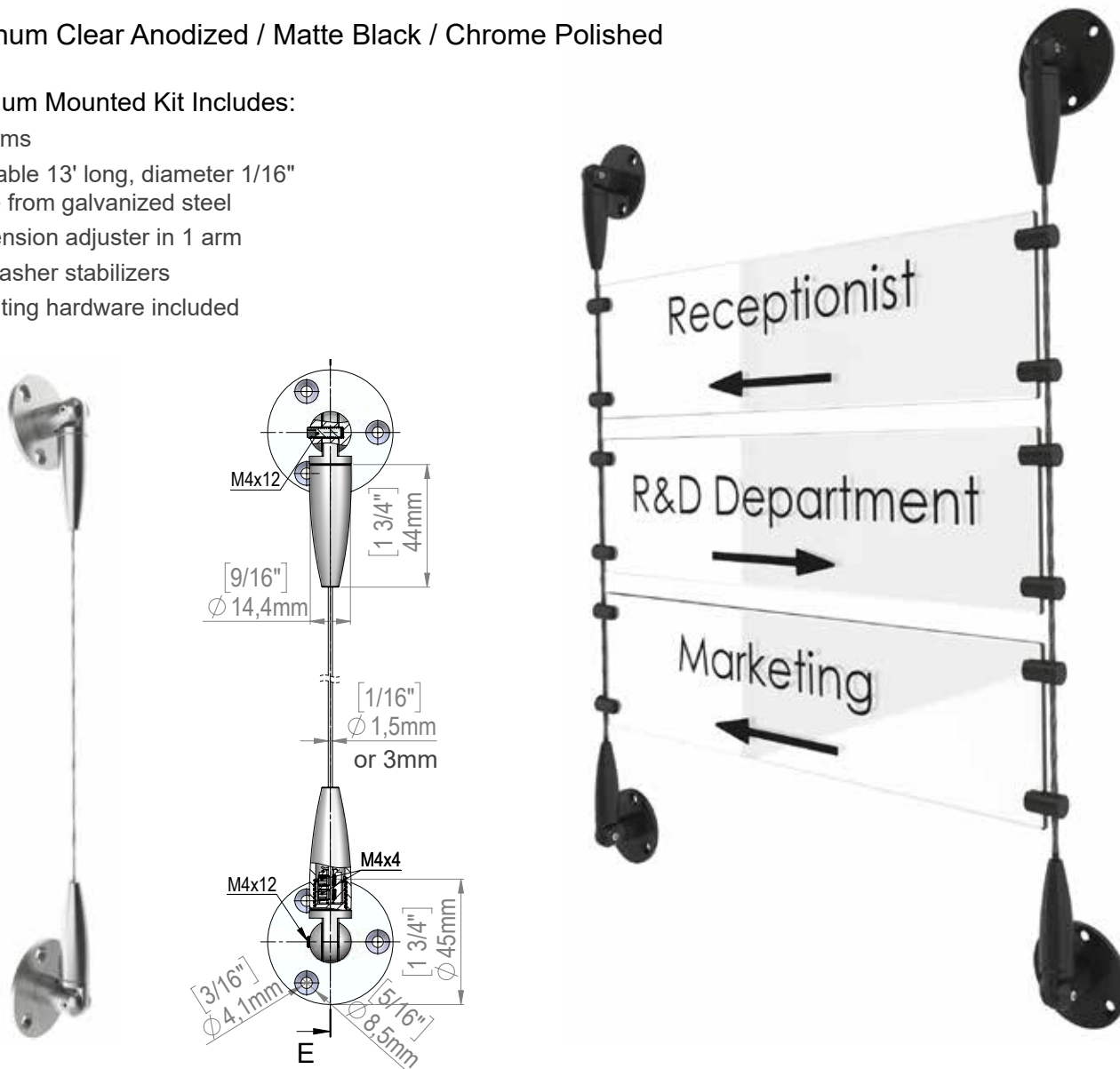
1/16" - 1/8" Diameter Mounted Cable Kits

For Signage, Displays, Posters and Graphics

Aluminum Clear Anodized / Matte Black / Chrome Polished

Aluminum Mounted Kit Includes:

- (2) Arms
- (1) Cable 13' long, diameter 1/16" made from galvanized steel
- (1) Tension adjuster in 1 arm
- (2) Washer stabilizers
- Mounting hardware included



Clear Anodized		
Cable Diameter	Cable Length	Item #
1/16"	13'	SCS15A
1/8"	13'	SCS3A

Matte Black Anodized		
Cable Diameter	Cable Length	Item #
1/16"	13'	SCS15MB
1/8"	13'	SCS3MB

Chrome Polished		
Cable Diameter	Cable Length	Item #
1/16"	13'	SCS15CP
1/8"	13'	SCS3CP

New Signature Cable Systems



Item #: SCS15A



Item #: SCS15MB



Item #: SCS15CP



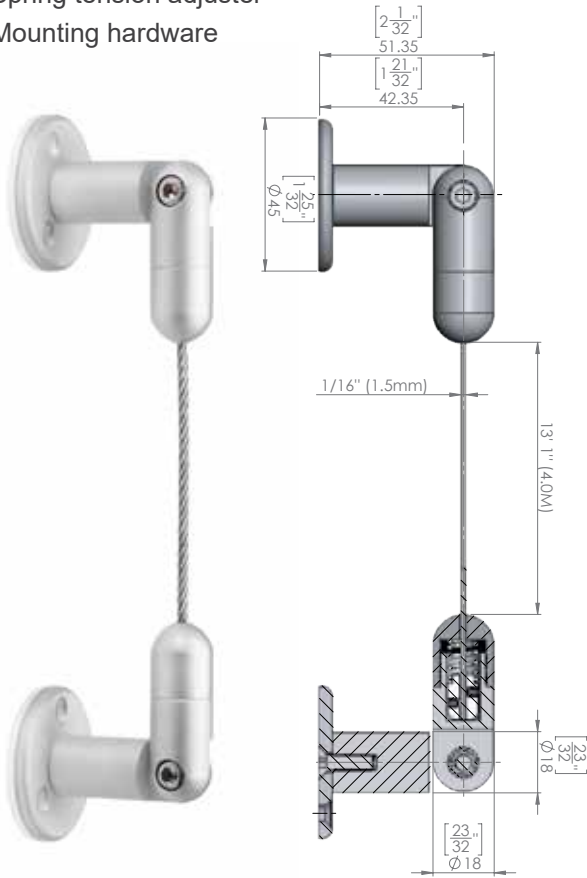
1/16" Cable Diameter Multi Angle Cable Kits

Wall to Wall, Ceiling to Floor, Wall to Floor, Wall to Ceiling

Aluminum

Mounted Kit Includes:

- (2) Adjustable mounts
- (1) Cable 13' long, diameter 1/16" made from galvanized steel
- Spring tension adjuster
- Mounting hardware



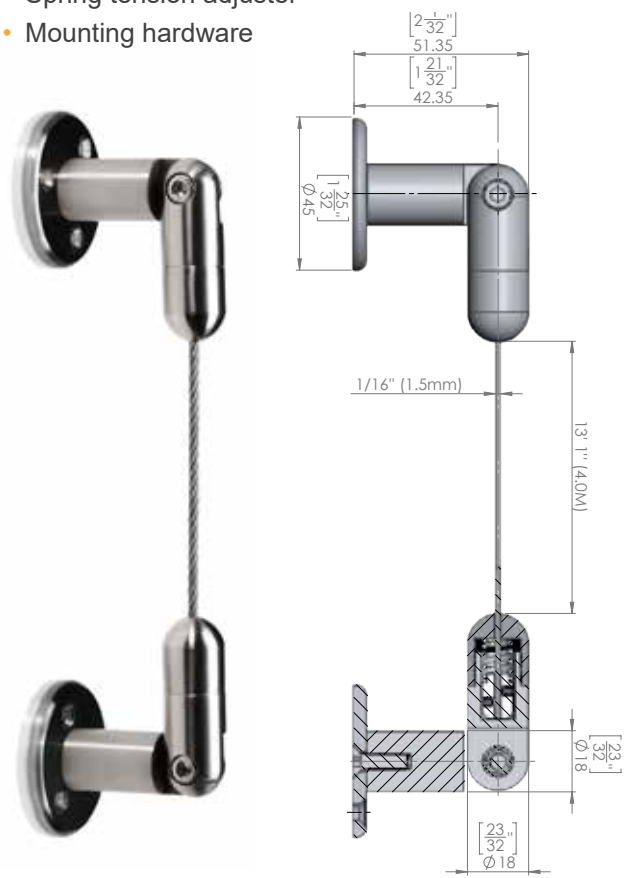
Aluminum Clear Anodized

Item # CS15A

Stainless Steel

Mounted Kit Includes:

- (2) Adjustable mounts
- (1) Cable 13' long, diameter 1/16" made from stainless steel
- Spring tension adjuster
- Mounting hardware



Satin Stainless Steel

Item # CS15SS

Adjustable Angle up to 90°



1/16" Cable Diameter Ceiling to Floor Mounted Kits

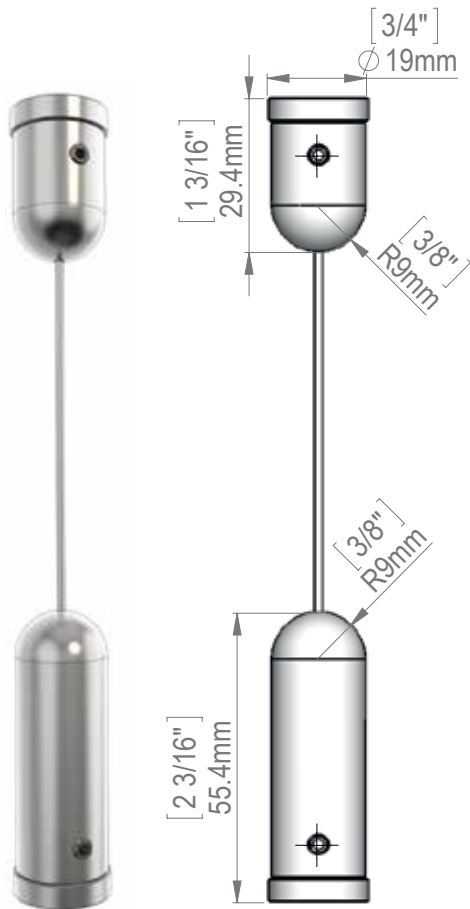
For Signage, Displays, Posters and Graphics

In this section, each of our cable kits; (aluminum or stainless steel); come with a 1/16" galvanized stainless steel cable. All of our stainless steel cables are composed of 7 strands and each strand consists of 7 wires which in turn gives a total of 49 wires twisted together. Our 1/16" diameter cables have a load capacity of 55 lbs (Approximately 115 kg). Each system kit (ceiling to floor, ceiling/floor to wall, wall to wall, and multifunction) come with a specific cable length but additional cable can be supplied upon request. All of our cable systems must be anchored into a solid material. Most of our cable kits can also be used with our track systems excluding only the multi-function kits. Additional cable diameters are available on pg. 104.

Aluminum

Ceiling to Floor Mounted Kit Includes:

- (1) Ceiling mount
- (1) Cable 13' long, diameter 1/16" made from galvanized steel
- (1) Tension adjuster
- Mounting hardware included



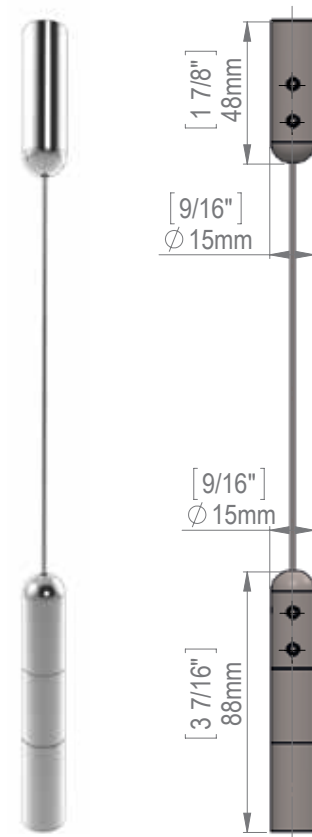
Aluminum Clear Anodized

Item # ACG1904

Stainless Steel

Ceiling to Floor Mounted Kit Includes:

- (1) Ceiling mount
- (1) Cable 16'4" long, diameter 1/16" made from stainless steel
- (1) Tension adjuster
- Mounting hardware not included



Stainless Steel

Item # SCG1904

1/16" Cable Diameter Ceiling /Floor to Wall Mounted Kits



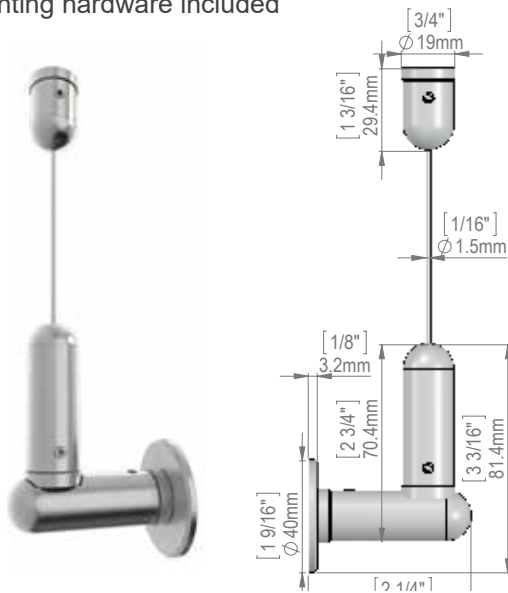
Visit website for technical information

For Signage, Displays, Posters and Graphic

Aluminum

Mounted Kit Includes:

- (1) Ceiling mount
- (1) Cable 13' long, diameter 1/16" made from galvanized steel
- (1) Tension adjuster, 1 horizontal arm
- (1) Washer stabilizer
- Mounting hardware included



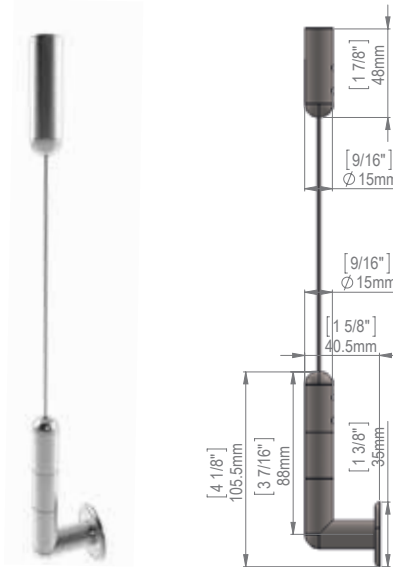
Aluminum Clear Anodized

Item # ACG1907

Stainless Steel

Mounted Kit Includes:

- (1) Ceiling mount
- (1) Cable 16'4" long, diameter 1/16" made from stainless steel
- (1) Tension adjuster, 1 horizontal arm
- (1) Washer stabilizer
- Mounting hardware not included



Satin Stainless Steel

Item # SCG1905 & SCG1907



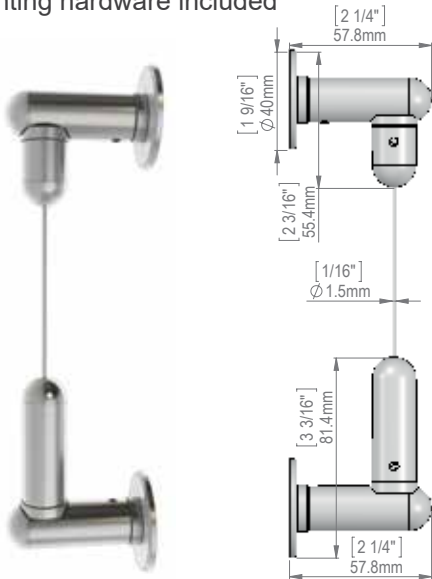
1/16" Cable Diameter Wall to Wall Mounted Kits

For Signage, Displays, Posters and Graphics

Aluminum

Mounted Kit Includes:

- (2) Mounts
- (1) Cable 13' long, diameter 1/16" made from galvanized steel
- (1) Tension adjuster, 2 horizontal arms, 1 vertical mount
- (2) Washer stabilizer
- Mounting hardware included



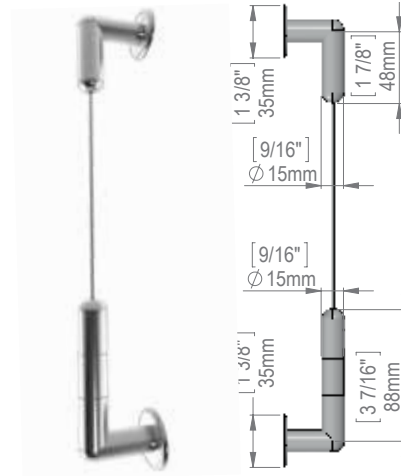
Aluminum Clear Anodized

Item # ACG1908

Stainless Steel

Mounted Kit Includes:

- (2) Mounts
- (1) Cable 16'4" long, diameter 1/16" made from stainless steel
- (1) Tension adjuster, 2 horizontal arms, 1 vertical mount
- (2) Washer stabilizer
- Mounting hardware not included



Satin Stainless Steel

Item # SCG1908



Stainless Steel
Ceiling Mount for
Cable System
Item #: 100.363



Stainless Steel
Cable Tension
Adjuster
Item #: 100.362

1/8" Cable Diameter Multi Angle Kits

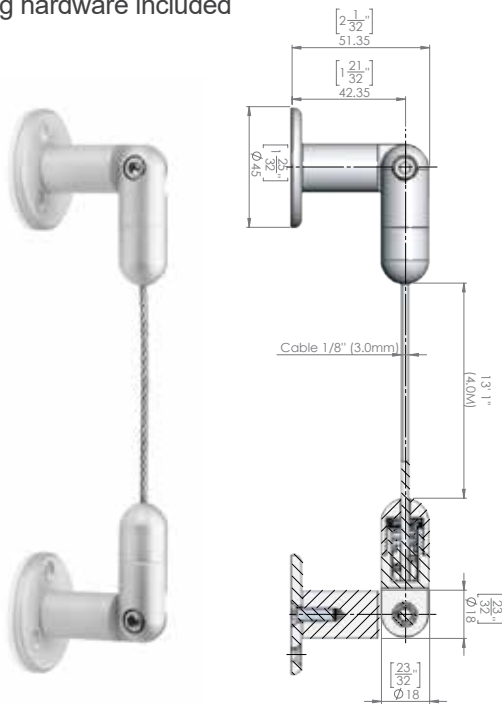
Wall to Wall, Ceiling to Floor, Wall to Floor, Wall to Ceiling

In this section, each of our cable kits; (aluminum or stainless steel); come with a 1/8" galvanized stainless steel cable. All of our stainless steel cables are composed of 7 strands and each strand consists of 7 wires which in turn gives a total of 49 wires twisted together. Our 1/8" diameter cables have a load capacity of 78 lbs (Approximately 230 kg). Each system kit (ceiling to floor, ceiling/floor to wall, wall to wall, and multi-function) come with a specific cable length but additional cable can be supplied upon request. All of our cable systems must be anchored into a solid material. Most of our cable kits can also be used with our track systems excluding only the multi-function kits. Additional cable diameters are available on pg. 105

Aluminum

Mounted Kit Includes:

- (2) Adjustable mounts
- (1) Cable 13' long, diameter 1/8" made from galvanized steel
- Spring tension adjuster
- Mounting hardware included



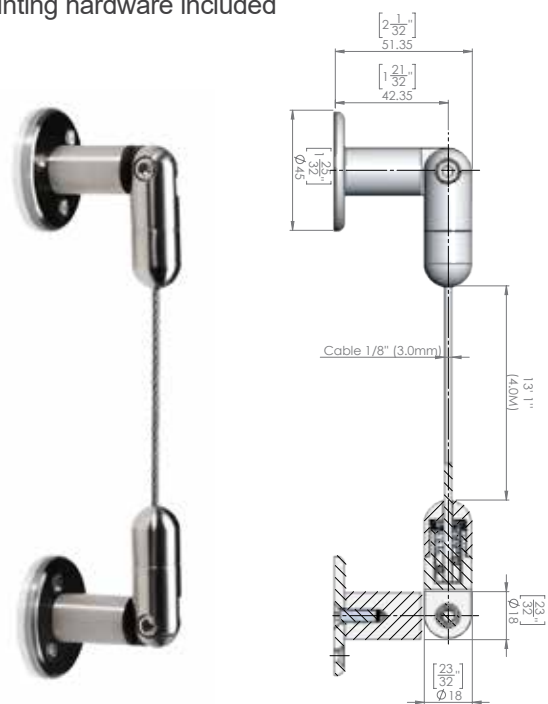
Aluminum Clear Anodized

Item # CS3A

Stainless Steel

Mounted Kit Includes:

- (2) Adjustable mounts
- (1) Cable 9'10" long, diameter 1/8" made from stainless steel
- Spring tension adjuster
- Mounting hardware included



Satin Stainless Steel

Item # CS3SS

Adjustable Angle up to 90°



1/4" Rod Ceiling to Floor Mounted Kits

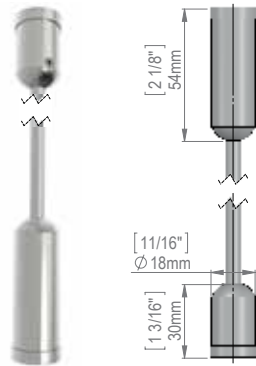
For Signage, Displays, Posters and Graphics

Stainless Steel Rod Hanging Display Systems can be utilized for an elegant, clean look for heavier displays. A rod display system is the strongest hanging option on the market. MBS's rod systems have two options: stainless steel or aluminum. Don't forget to add an aluminum track rail system for mobility on your wall, floor, or ceiling.

Aluminum

Mounted Kit Includes:

- (1) Ceiling mount
- (1) Rod
- (1) Tension adjuster
- ARG1904 without rod
- ARG1904-1 L: 3'
- ARG1904-2 L: 4'11" (stainless steel rod)
- ARG1904-3 L: 6'
- ARG1904-4 L: 9'
- Mounting hardware included



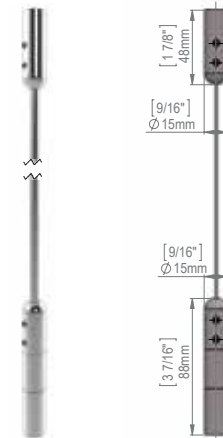
Aluminum Clear Anodized

Item # ARG1904-*

Stainless Steel

Mounted Kit Includes:

- (1) Ceiling mount
- (1) Rod
- (1) Tension adjuster
- SRG1904 without rod
- SRG1904-1 L: 3'
- SRG1904-2 L: 4'11"
- SRG1904-3 L: 6'
- SRG1904-4 L: 9'
- Mounting hardware not included



Stainless Steel Satin Finish

Item # SRG1904-*

i * Choose a number 1-4 to depict length of rod you need



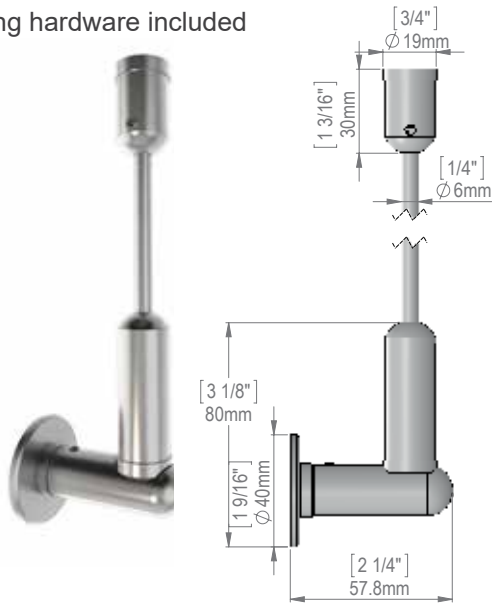
1/4" Rod Ceiling to Wall / Wall to Floor Mounted Kits

For Signage, Displays, Posters and Graphics

Aluminum

Mounted Kit Includes:

- (1) Ceiling / floor mount
- (1) Rod
- (1) Tension adjuster
- (1) Horizontal arm
- (1) Washer stabilizer
- ARG1905 • ARG1906: without Rod
- ARG1905-1 • ARG1906-1 L: 3'
- ARG1905-2 • ARG1906-2 L: 4'11" (stainless steel rod)
- ARG1905-3 • ARG1906-3 L: 6'
- ARG1905-4 • ARG1906-4 L: 9'
- Mounting hardware included



Ceiling to Wall

Item # SRG1905-*

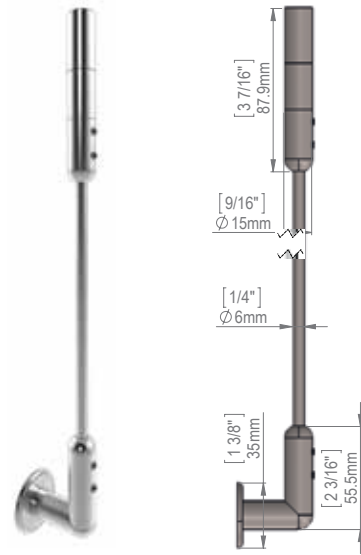
Wall to Floor

Item # SRG1906-*

Stainless Steel

Mounted Kit Includes:

- (1) Ceiling / floor mount
- (1) Rod
- (1) Tension adjuster
- (1) Horizontal arm
- (1) Washer stabilizer
- SRG1905 • SRG1906: without rod
- SRG1905-1 • SRG1906-1 L: 3'
- SRG1905-2 • SRG1906-2 L: 4'11"
- SRG1905-3 • SRG1906-3 L: 6'
- SRG1905-4 • SRG1906-4 L: 9'
- Mounting hardware not included



Ceiling to Wall

Item # SRG1905-*

Wall to Floor

Item # SRG1906-*

i * Choose a number 1-4 to depict length of rod you need



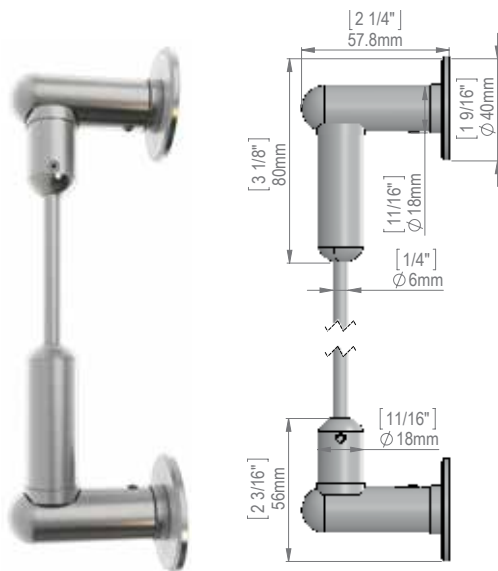
1/4" Rod Wall to Wall Mounted Kits

For Signage, Displays, Posters and Graphics

Aluminum

Mounted Kit Includes:

- (2) Washer stabilizers
- (2) Horizontal arms
- (1) Ceiling mount
- (1) Floor
- (1) Rod
- (1) Tension adjuster
- ARG1907: without rod
- ARG1907-1 set with rod length L: 3'
- ARG1907-2 set with L: 4'11" (stainless steel rod)
- ARG1907-3 set with rod length L: 6'
- ARG1907-4 set with rod length L: 9'
- Mounting hardware included



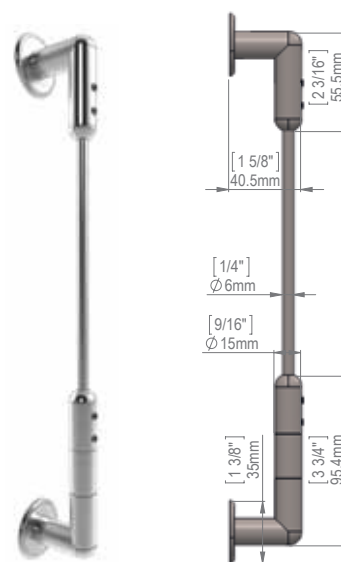
Aluminum Clear Anodized

Item # ARG1907-*

Stainless Steel

Mounted Kit Includes:

- (2) Washer stabilizers
- (2) Horizontal arms
- (1) Ceiling mount
- (1) Floor
- (1) Rod
- (1) Tension adjuster
- SRG1907: without rod
- SRG1907-1 set with rod length L: 3'
- SRG1907-2 set with rod length L: 4'11"
- SRG1907-3 set with rod length L: 6'
- SRG1907-4 set with rod length L: 9'
- Mounting hardware not included



Stainless Steel Satin Finish

Item # SRG1907-*

i * Choose a number 1-4 to depict length of rod you need



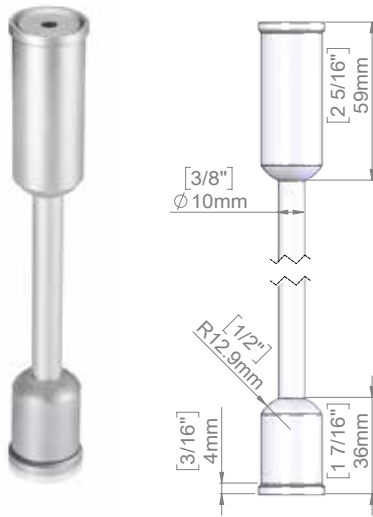
3/8" Rod Ceiling to Floor/ Wall to Ceiling Mounted Kits

For Signage, Displays, Poster and Graphics

Aluminum Clear Anodized or Matte Black

Mounted Kit Includes:

- (1) Ceiling mount
- (1) Floor mount
- (1) Rod
- (1) Tension adjuster
- ARG3904A-1 • ARG3904B-1 L: 3'
- ARG3904A-2 • ARG3904B-2 L: 6'
- ARG3904A-3 • ARG3904B-3 L: 9'
- ARG3904A-4 • ARG3904B-4 L: 12'
- Mounting hardware included



Aluminum Clear Anodized

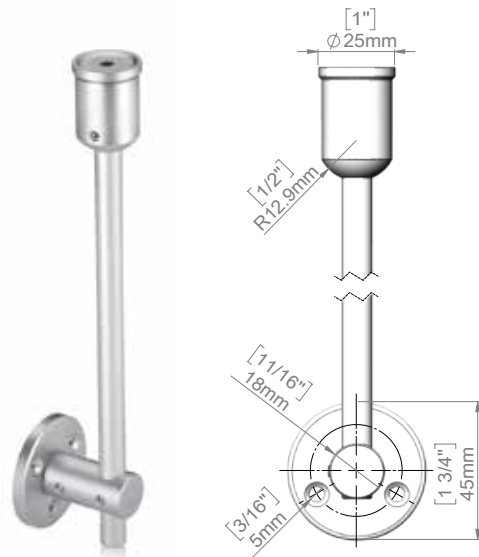
Item # ARG3904A-*

Aluminum Matte Black Anodized

Item # ARG3904B-*

Mounted Kit Includes

- (1) Ceiling mount
- (1) Rod
- (1) Horizontal arm
- (1) Washer stabilizer
- ARG3910A-1 • ARG3910B-1 L: 3'
- ARG3910A-2 • ARG3910B-2 L: 6'
- ARG3910A-3 • ARG3910B-3 L: 9'
- ARG3910A-4 • ARG3910B-4 L: 12'
- Mounting hardware not included



Aluminum Clear Anodized

Item # ARG3910A-*

Aluminum Matte Black Anodized

Item # ARG3910B-*

i * Choose a number 1-4 to depict length of rod you need



Panel Grips Diameter Cable Kits

Technical Information	Material Thickness Accepted	Gap from Cable	1/16" Cable		1/8" Cable	
			Aluminum	Stainless Steel	Aluminum	
Vertical Support						
	Single Sided	1/16" to 3/16"	1/8"	ACA1016	SCA1016	N/A
	Double Sided	1/16" to 3/16"	1/8" x 2	ACA1023	SCA1023	N/A
	Single Sided	1/8" to 3/8"	3/16"	ACA1610	SCA1610	ACA31610
	Double Sided	1/8" to 3/8"	3/16" x 2	ACA1612	SCA1612	ACA31612
	Single Sided	1/8" to 3/8"	N/A	ACA1660	SCA1660	ACA31660
Pivoting Support						
	Single Sided	1/8" to 5/16"	1/2"	ACA1620	SCA1620	ACA31620
	Double Sided	1/8" to 5/16"	1/2" x 2	ACA1622	SCA1622	ACA31622
	Single Sided	3/16" to 1/2"	1/2"	N/A	SCA1810	N/A
	Double Sided	3/16" to 1/2"	1/2" x 2	N/A	SCA1812	N/A
	Single Sided	1/8" to 1/2"	1/2"	ACA2010	SCA2010	ACA32010
	Double Sided	1/8" to 1/2"	1/2" x 2	ACA2012	SCA2012	ACA32012

Stainless Steel	1/4" Rod		3/8" Rod	
	Aluminum	Stainless Steel	Aluminum	Matte Black
N/A	N/A	N/A	ARA3610A	ARA3610B
N/A	N/A	N/A	ARA3612A	ARA3612B
SCA31610	ARA1610	SRA1610	N/A	N/A
SCA31612	ARA1612	SRA1612	N/A	N/A
SCA31660	N/A	N/A	N/A	N/A
SCA31620	ARA1620	SRA1620	ARA3620A	ARA3620B
SCA31622	ARA1622	SRA1622	ARA3622A	ARA3622B
SCA1810B	N/A	N/A	N/A	N/A
SCA1812B	N/A	N/A	N/A	N/A
SCA32010	ARA2010	SRA2010	ARA3810A	ARA3810B
SCA32012	ARA2012	SRA2012	ARA3812A	ARA3812B

Technical Information

Item #: ACA1016

Item #: ACA1023

Item #: ACA1610

Item #: ACA1612

Item #: ACA1660

Item #: ACA1620

Item #: ARA1622

Item #: ARA2010

Item #: ACA2012

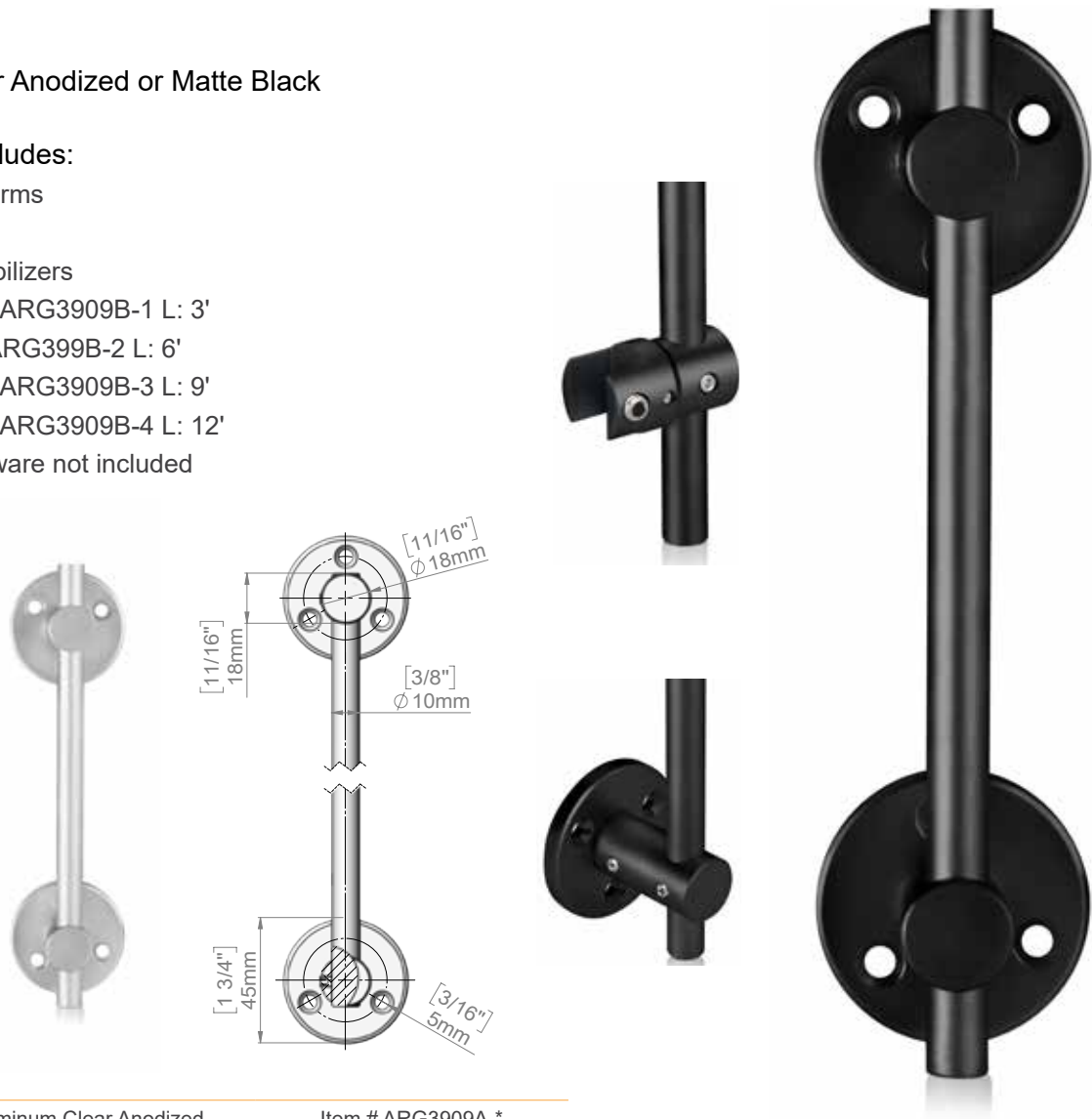
3/8" Rod to Wall Mounted Kits

For Signage, Displays, Posters and Graphics

Aluminum Clear Anodized or Matte Black

Mounted Kit includes:

- (2) Horizontal arms
- (1) Rod
- (2) Washer stabilizers
- ARG3909A-1 • ARG3909B-1 L: 3'
- ARG399A-2 • ARG399B-2 L: 6'
- ARG3909A-3 • ARG3909B-3 L: 9'
- ARG3909A-4 • ARG3909B-4 L: 12'
- Mounting hardware not included



Aluminum Clear Anodized	Item # ARG3909A-*
Aluminum Matte Black Anodized	Item # ARG3909B-*





America's #1 Choice For Standoffs!

Daily Pickup and 1 or 2 Days Ground Shipping to Most of the States



Mbs-Standoffs & Mbs-Signsupply Headquarters
TAMPA



Mbs-Standoffs & Mbs-Signsupply
CHICAGO



Mbs-Standoffs & Mbs-Signsupply Milano
DENVER



Mbs-Standoffs & Mbs-Signsupply
LAS VEGAS



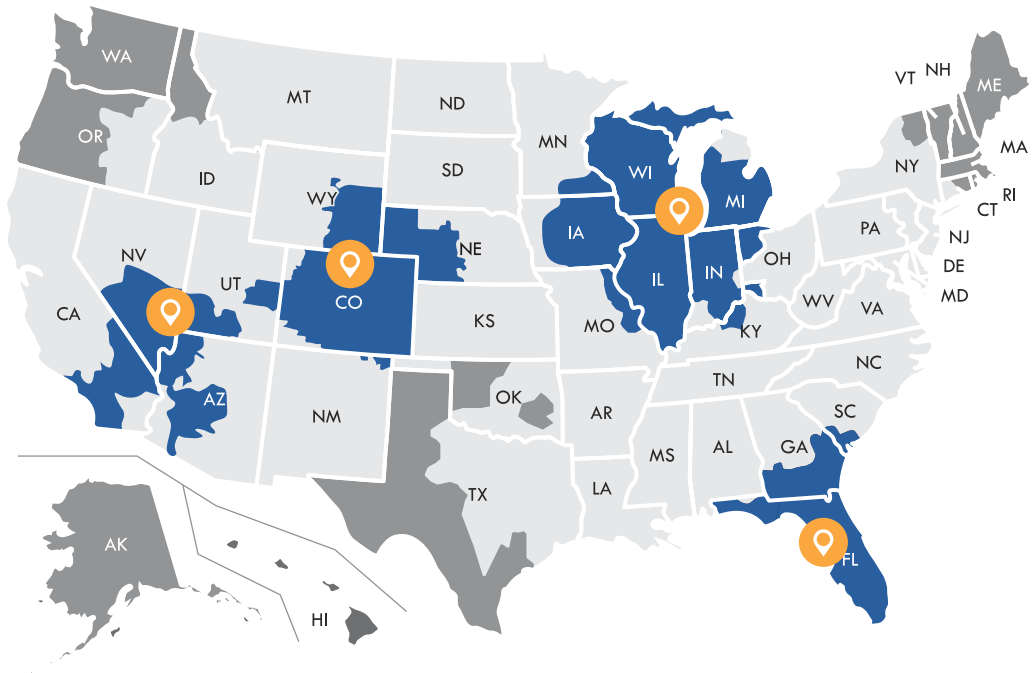
Monday–Thursday up to 6:30 PM (EST)
Friday up to 5:30 PM (EST)



Monday–Thursday up to 6:30 PM (EST)
Friday up to 5:30 PM (EST)



Shipping to Canada with FedEx, UPS & USPS, and anywhere in the world with DHL



Receive in 1 Day Receive in 2 Days Receive in 3 Days

Daily Pickup

- We have a daily pick-up, so that all of our customers can take advantage of same day shipping.
- Blind Shipping & Drop Shipping Available Upon Request (Fees may apply)
- Don't forget we can always ship on your account.
- If you are local, you can pick up your order within 30 minutes of placing your order.



Panel Grips For Cable & Rod

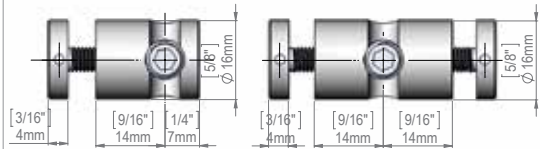
Technical Information	Material Thickness Accepted	Gap from Cable	Hole Material	1/16" Cable		1/8" Cable	
				Aluminum	Stainless Steel	Aluminum	
Panel Support							
	Single Sided	1/16" to 5/16"	3/16"	1/4"	ACA1640	SCA1640	ACA31640
	Double Sided	1/16" to 5/16"	3/16" x 2	1/4"	ACA1642	SCA1642	ACA31642
Edge Support							
	Single Sided	1/16" to 3/8"	3/16"	N/A	ACA1630	SCA1630	ACA31630
	Top Edge	1/8" to 3/8"	N/A	N/A	N/A	N/A	N/A
Pivoting Edge Support							
	Single Sided	1/16" to 3/8"	1/2"	N/A	ACA1631	SCA1631	ACA31631
	Double Sided	1/16" to 3/8"	1/2" x 2	N/A	ACA1632	SCA1632	ACA31632
Horizontal Support							
	Single Sided	1/16" to 5/16"	3/16"	N/A	ACB1610	SCB1610	ACB31610
	Double Sided	1/16" to 5/16"	3/16" x 2	N/A	ACB1612	SCB1612	ACB31612



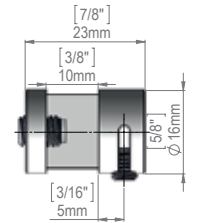
i Extended Stainless Steel M5 Threaded Head for 1/2" Material
Used with SCA1640, SCA1642, SRA1640, SRA1642
Item # SRA1640-H12

Stainless Steel	1/4" Rod		3/8" Rod	
	Aluminum	Stainless Steel	Aluminum	Matte Black
SCA31640	ARA1640	SRA1640	ARA3640A	ARA3640B
SCA31642	ARA1642	SRA1642	ARA3642A	ARA3642B
SCA31630	N/A	N/A	N/A	N/A
N/A	ARA1660	SRA1660	N/A	N/A
SCA31631	ARA1631	SRA1631	ARA3631A	ARA3631B
SCA31632	ARA1632	SRA1632	ARA3632A	ARA3632B
SCB31610	ARB1610	SRB1610	ARB3610A	ARB3610B
SCB31612	ARB1612	SRB1612	ARB3612A	ARB3612B

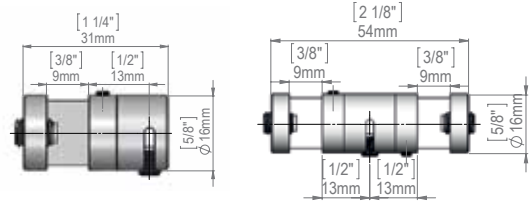
Technical Information



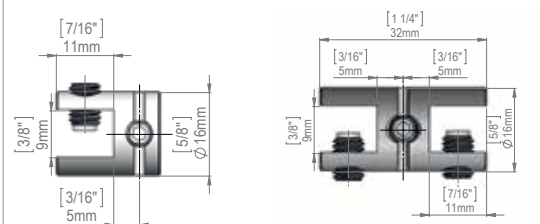
Item #: ARA1640 **Item #: ARA1642**



Item #: ACA1630



Item #: ACA1631 **Item #: ACA1632**



Item #: ACB1610 **Item #: ACB1612**



We are pleased to announce the launch of our brand new website
mbs-signsupply.com



Digital Media



Vinyls & Application Tapes



Vehicle Wraps



Wrap Tools



Paper Materials



Frames & Displays



RLM Sign Lights



Standoff Systems



Sign Brackets



Substrates



Vinyl Racks



Banner Stands



Sign Stakes



Sneeze Guard Kits

Any questions? Get in touch with us.
contact@mbs-signsupply.com or Call us 1 (303) 935-8565








AMERICA'S # 1 CHOICE FOR STANDOFFS



NEW 3/8" Diameter Rod
Clear Anodized Finish
Matte Black Finish




Shelf Supports

Technical Information	Material Thickness Accepted	Gap from Cable	Mounting Diameter	Cable 1/16"		Cable	
				Aluminum	Stainless Steel	Aluminum	
Shelf Support							
	1/8"	N/A	5/16"	ACA1650	SCA1650	ACA31650	
Pivoting Shelf Support							
	Single Sided	1/4" to 3/4"	1/2"	N/A	ACA1651	SCA1651	ACA31651
	Double Sided	1/4" to 3/4"	1/2" x 2	N/A	ACA1652	SCA1652	ACA31652
Retainer Screw							
	Single Sided	1/8" to 3/8"	N/A	1/4"	ACA1653	SCA1653	ACA31653
Tempered Glass							
3/16" Thick 	Size	10" x 24"	10" x 36"	12" x 12"	12" x 24"	12" x 36"	N/A
	Item #	TG10-24	TG10-36	TG12-12	TG12-24	TG12-36	N/A

Accessories

Technical Information	Diameter	Rod 1/4"		Rod 3/8"	
		Aluminum	Stainless Steel	Aluminum	Matte Black
Rod					
36" Aluminum Rod, Threaded and Tapped	N/A	ROD3A	ROD3	ROD310A	ROD310B
End Rod, Male/Female Threaded and Tapped	N/A	ROD3A-EA	ROD3-ESS	ROD310-EA	ROD310-EB
Rod Ball end Finish	N/A	ARA1630	SRA1630	N/A	N/A
Pivoting Standoffs for Rod					
Pivoting Standoff for Rod (Vertically or Horizontally Mount)	5/8"	ASA1724	SSA1724	N/A	N/A
Pivoting Standoff for Rod (Vertically or Horizontally Mount)	5/8"	ASA1750A	SSA1750S	N/A	N/A

 For cable, pivoting support check item: CS3CTA, CS3CTB



Stainless Steel	Rod 1/4"		Rod 3/8"	
	Aluminum	Stainless Steel	Aluminum	Matte Black
SCA31650	ARA1650	SRA1650	ARA3650A	ARA3650B
SCA31651	ARA1651	SRA1651	ARA3651A	ARA3651B
SCA31652	ARA1652	SRA1652	ARA3652A	ARA3652B
SCA31653	N/A	N/A	N/A	N/A
N/A	N/A	N/A	N/A	N/A
N/A	N/A	N/A	N/A	N/A

Technical Information

Item #: SCA1650

Item #: SCA1651

Item #: SCA1652

Item #: SCA1653



Rod Ball end Finish
 Item #: ARA1630
 Item #: SRA1630



Ceiling Suspended Kit
 M6 Reverse Thread
 Clear or Matte Black
 Item #: ARG3902A



End Rod Matte Black
 Item #: ROD310-EB



Pivoting Standoffs for Rod
 Item #: ASA1724



Rod
 Item #: ROD3A

End Rod

Item #: ROD3-EA



- ◆ Bulk Quantity?
- ◆ Personalized Designs?
- ◆ Special Requests?

Contact us today!

Our Signage Hardware Experts Will be Delighted To Assist You!

1 (813) 938-6025 • sales@mbs-standoffs.com



Acrylic Sign Holders

Sign Holders for Inserts



This acrylic sign holder is ideal for displaying marketing materials. The 8.5" × 11" top insert frame allows users to quickly and easily switch out signage selections. This sign holder that hangs in a cable system, also known as acrylic literature frame, is an exciting way to create signage in any environment.

Purchasers can use one of these literature frames or create a system by using multiple acrylic panels! This sign holder is made of crystal clear acrylic. Frames are in stock, you can purchase today.

This fold-over sign holder can be mounted onto the cable system virtually anywhere to maximize viewing. These acrylic frames are ideal for use in retail stores, restaurants, and more! This sign holder that holds 8.5" × 11" graphics is affordable and convenient! This panel holds signage in portrait + landscape orientation only. There is a large selection of acrylic poster frames and cable hanging systems in this online catalog. This acrylic sign holder is an impressive way to showcase 8.5" × 11" graphics when combined with the cable hanging kit.

Mbs is proud to provide Cable & Rod Systems.

These systems are extremely versatile and create amazingly subtle displays that can be integrated into any environment. With so many applications including suspending, shelving, signage, decorative displays, showcase displays and graphic displays, Mbs is sure to meet your displays needs.



Acrylic Sign Holders

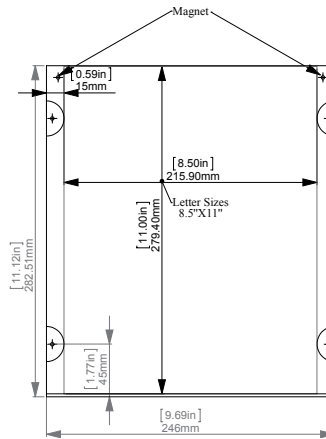
Sign Holders for Inserts

8.5" x 11" Acrylic Sign Holder

Portrait Letter Holder

- 1 Clear acrylic holder for letter sizes 8.5" x 11"
- With 2 magnets on the top to keep acrylic closed
- Acrylic only, hardware not included

Acrylic Sign Holder Item # AC8511

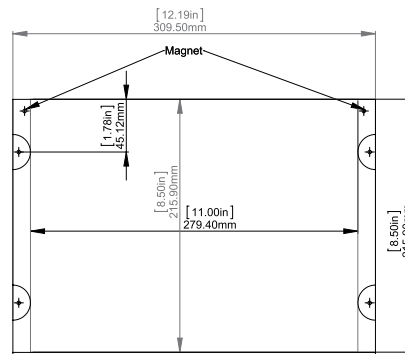


11" x 8.5" Acrylic Sign Holder

Landscape Letter Holder

- 1 Clear acrylic holder for letter sizes 11" x 8.5"
- With 2 magnets on the top to keep acrylic closed
- Acrylic only, hardware not included

Acrylic Sign Holder Item # AC1185

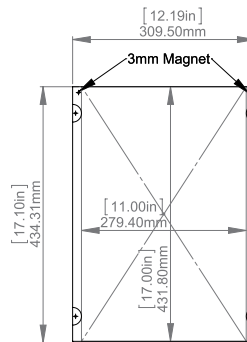


11" x 17" Acrylic Sign Holder

Portrait Ledger Holder

- 1 Clear acrylic holder for letter sizes 11" x 17"
- With 2 magnets on the top to keep acrylic closed
- Acrylic only, hardware not included

Acrylic Sign Holder Item # AC1117

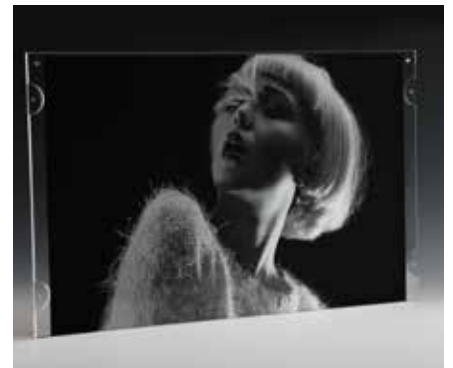
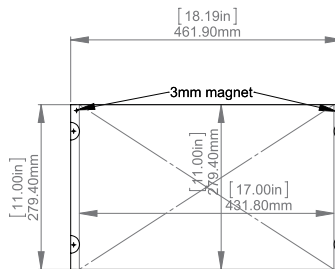


17" x 11" Acrylic Sign Holder

Landscape Ledger Holder

- 1 Clear acrylic holder for letter sizes 17" x 11"
- With 2 magnets on the top to keep acrylic closed
- Acrylic only, hardware not included

Acrylic Sign Holder Item # AC1711



Row by Row Cable System

Sign Holders for Inserts

NEW
PRODUCT

- 64 Different layouts
- 4 Different finishes
- 2 Different materials
- Portrait / Landscape
- 3 Different installation types
- 3 Different styles



Visit website for
technical information



Visit website to
see all options

Row Attached Cable System

Sign Holders for Inserts

- 64 Different layouts
- 4 Different finishes
- 2 Different materials
- Portrait / Landscape
- 3 Different installation types
- 3 Different styles



Visit website for technical information



Visit website for technical information



LED Poster Holder

Acrylic LED Sign Holder Kits

- Ultra-Bright LED Panel
- Ultra-Slim LED Panel
- No need to change tubes or lamps!
- No visible power supply
- Maintenance Free!



Power Connector For Led Poster Holder
Item # **ACA1212**

3 Single Sided
Item # **KLP3**

LED Light Boxes

The ultra-bright LED panel floats like magic with no visible power supply, drawing people to look at your promotional material. The acrylic display holder is suspended from almost invisible powered cables which are fitted on the wall in on our innovative LED Cable Display Systems. Position the acrylic signs in the window or interior of your premises to make stunning window displays, or use the double sided units to create eye catching partitions within your premises. Transform the appearance of your premises with these ultra slim LED light boxes that are only 3/16" (9 mm) thick. The acrylic LED light box looks different from anything else on the market!

*Acrylic is not recommended for engraving purposes

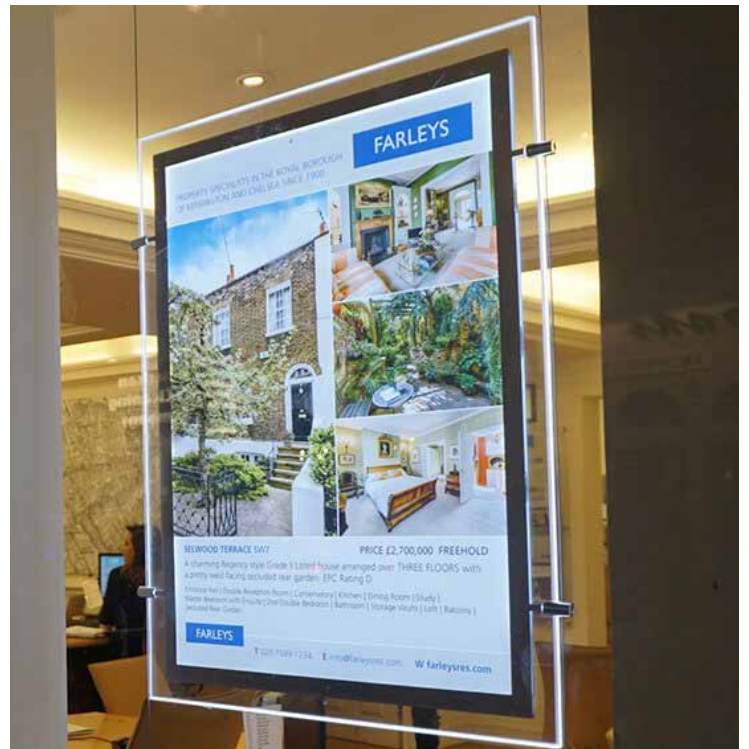
Description	Item #
LED Poster Holder Kit 1. Single Sided LED Light Pocket Letter Size	KLP1
LED Poster Holder Kit 2. Single Sided LED Light Pocket Letter Size	KLP2
LED Poster Holder Kit 3. Single Sided LED Light Pocket Letter Size	KLP3
LED Poster Holder Kit 4. Single Sided LED Light Pocket Letter Size	KLP4





2 Single Sided
Item # KLP2

Provide an eye catching way to illuminate your posters and photographs that add sparkle and interest drawing attention to your promotional messages.



1/4" Rod Sign Holder



Sign Holder

- Our cleverly designed rod display system is perfect for any application.
- Our supports can be placed any distance apart making it versatile to any size sign needing to be displayed.
- These rod display systems use the same techniques as the cable system, only using stainless steel or aluminum rods instead.
- Highly recommended for heavy duty hanging.
- Rods can be easily fastened together for any length desired.
- Rod ends can be finished with a nifty aluminum "ball" or end cap to provide the perfect professional image.
- Use with ASA1724, SSA1724 or (pivoting standoff support), ROD3, ROD3A (1/4" diameter, 3' length rod), and our pivoting supports.
- The rod system is now in stock and available for next day delivery.



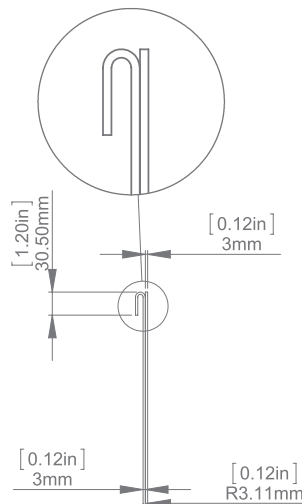
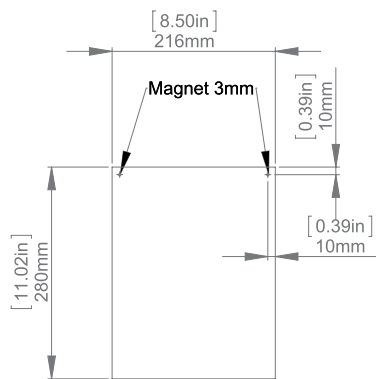
1/4" Rod Sign Holder

Acrylic Sign Holder

- Acrylic sign holders are used for displaying manuals, magazines, literature, greeting cards, flyer and more.
- Our high quality acrylic sign holders are made of acrylic material for long lasting durability.
- Features an impact resistant design for superior performance.
- Accepts media 8.5" × 11" or under vertically.
- Use with ASA1724 (pivoting standoff support) and our ROD3, ROD3A (1/4" diameter, 3' length rod)



8.5" × 11" Clear Acrylic Sign Holder



Vertical Letter Size Holder:

- 1 Clear acrylic holder for letter sizes 8.5" × 11"
- With 2 magnets on the top to keep acrylic closed
- Acrylic only, hardware not included

Acrylic Sign Holder

Item # RAC8511

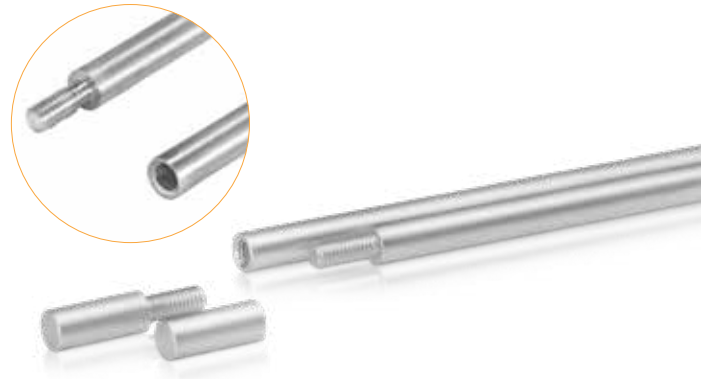
Description	Finish	Material	Diameter	Item #
Rod Ceiling Mount	Satin Brushed	Stainless Steel	5/8"	100.363-SR
Rod Tension Adjuster	Satin Brushed	Stainless Steel	9/16"	100.362-R
Vertical Assembly Arm	Satin Brushed	Stainless Steel	9/16"	100.364
Washer Stabilizer	Satin Brushed	Stainless Steel	1-3/8"	100.365
Stainless Steel Wall Mount	Satin Brushed	Stainless Steel	5/8"	SSA1724
Aluminum Wall Mount	Clear Anodized	Aluminum	5/8"	ASA1724
Aluminum Wall Mount	Clear Anodized	Aluminum	5/8"	ASA1750
Stainless Steel Rod	Satin Brushed	Stainless Steel	1/4"	ROD3
Aluminum Rod	Clear Anodized	Aluminum	1/4"	ROD3A

1/4" Rod Accessories

36" Rod

- 1/4" diameter thread and tapped M4
- ROD3 36" (indoor use only)
- ROD3 can be assembled together to get the length you need, use ROD3-E to close ends
- Can be cut
- Not threaded through

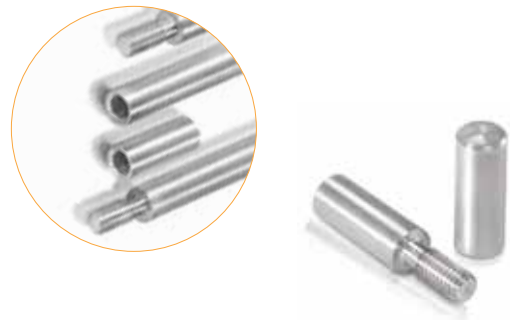
Stainless Steel SS201	Item # ROD3
Aluminum Clear Anodized	Item # ROD3A



End Rod

- Male | Female
- 1/4" diameter thread and tapped M4
- Indoor use only

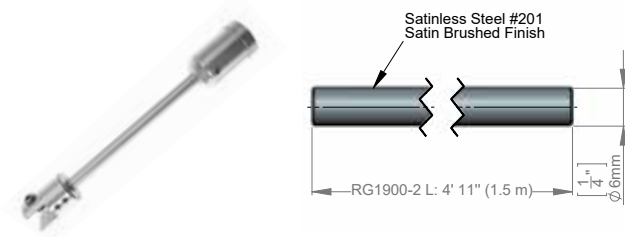
Stainless Steel SS201	Item # ROD3-ESS
Aluminum Clear Anodized	Item # ROD3-EA



Rod

- Stainless steel rod satin finish 1/4" diameter
- SRG1900-2 L: 4'11"

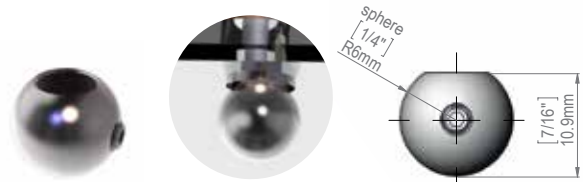
Stainless Steel SS201	Item # SRG1900-2
-----------------------	------------------



Rod Finish Ball

Diameter: 1/2"
Rod finish ball for rod diameter: 1/4"

Aluminum Clear Anodized	Item # ARA1630
-------------------------	----------------



Pivoting Standoff for Rod

Diameter: 5/8"
Pivoting standoff for rod diameter: 1/4"
Standoff: 1/2"

Stainless Steel SS201	Item # SSA1724
Aluminum Clear Anodized Wall Mount	Item # ASA1724
	Item # ASA1750



Aluminum Track and Accessories

Cable/Rod Aluminum Arm

Arm Diameter: 9/16"

Washer Diameter: 1-1/2"

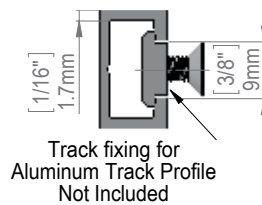
Clear Anodized Aluminum Arm	Item # CRAA
Aluminum Washer	Item # CRWA



Aluminum Track

- Aluminum track fixing for mobility
- Clear anodized finished
- Length: 6' (72")

Aluminum Track	Item # AT1911
----------------	---------------



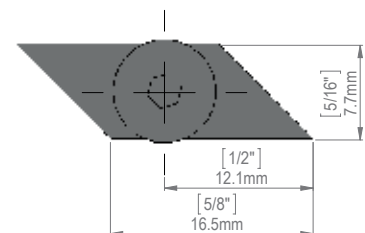
Track Fixing

Track fixing for aluminum track profile

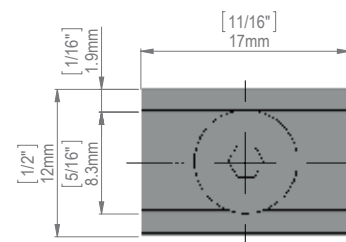
Parallelogram Track Fixing	Item # ACW4001
Rectangular Track Fixing	Item # ACW4002



Item #: ACW4001



Item #: ACW4002





We are pleased to announce the launch of our brand new website

mbs-signsupply.com



Digital Media



Vinyls & Application Tapes



Vehicle Wraps



Wrap Tools



Paper Materials



Frames & Displays



RLM Sign Lights



Standoff Systems



Sign Brackets



Substrates



Vinyl Racks



Banner Stands



Sign Stakes



Sneeze Guard Kits

Any questions? Get in touch with us.

contact@mbs-signsupply.com or Call us 1 (303) 935-8565



Magnetic Pot for Suspended Ceiling

For Signage, Displays, Posters and Graphics

Description	Item #
3/4" Pot Magnet with Hook white painted (Inside use only)	HM20W



Description	Item #
3/4" Pot Magnet (Inside use only) Threaded M4 designed for "ROD3"	MR20NI



Designed for "ROD3"

Still on the fence?

Order your new sample box today



Sample box
Item #: ASSAMPBOX

1 (813) 938-6025
mbs-standoffs.com



Art Hanging System

Hanging Systems



p140

Easy Rail



p142

Classic Rail



p146

Hooks / Accessories



p155

Ceiling Rail



p150

Aluminum Snap Frames



p158

Cable



p154

Banner Rails



p159



Hanging Systems



Mbs Hanging Systems was established in 2014 to offer innovative, museum quality, professional art hanging services and supplies through advanced art hanging hardware. Mbs Hanging Systems' amazing product line was born from innovations that began with our sister company, Mbs Standoffs, which has offered state-of-the-art signage hardware for over 15 years. We saw the need for high-quality art hanging hardware at affordable prices and we took on the challenge.

Our dedicated design team, in partnership with galleries, museums, and businesses around the world, worked diligently to create a simple, beautiful, and flexible product line that is as amazing to use as it is to look at.

All of our products share one thing in common – they were designed with your needs in mind. Installation is straightforward and simple to save you time and stress.

Flexibility is at an all-time high – move your art up, down, or side-to-side until it's just right. Adding, removing, or changing your art is easier than ever – it takes only a few seconds and best of all, no tools required.

At Mbs Hanging Systems, we believe the tools we provide should work so well that you don't have to consider how they might have been designed differently. That's why we strive to provide the highest quality professional art hanging products at the best price – every time.



Visit website for technical information



Hanging Systems



Easy Rail System

Our Easy Rail System is simple, discreet, and designed to use in the home, office, or anywhere that appearance is important.

The key to this beautiful and strong system, rated to withstand loads up to 78 lbs (35 kg), is a series of high strength clips that install behind the rail and out of view.

Thanks to the modular nature of the Easy Rail System, you can add to, remove from, or modify your display at any time in just seconds – and no more holes in the wall!



Classic Rail System

Our Classic Rail System is effortless and inconspicuously designed, with a focus on strength, rated to hold up to an astonishing 300 lbs (136 kg) per rail!

The Classic Rail System is designed with galleries in mind, where a display may be changed many times per week.

All of our Hanging Cables and Rods hook on and off in one simple motion to make it easier than ever for you to quickly update your displays!



Ceiling Rail

Our Ceiling Rail System installs into the ceiling instead of the traditional wall mounted application.

Mount it open-faced to make changing your display easier than ever or turn it around for a closed-face installation that makes your Art Hanging System even more subtle than before.

Use it in the window of your shop or use it a few inches off of the wall to give your art an amazing floating effect!



Easy Rail

Wall-Mounted



Application: Wall-Mounted

Material: Aluminum

Available Length: 72"

Rail Height: 1"

Available Colors: Silver

Satin Anodized, Black Satin

Anodized, White Painted & 180

Colors Powder Coated

Rated Rail Weight: 75 lb / 35 kg

(When properly installed)

Modern Design and Discreet! Easy to install!

The Easy Rail is secured to the wall using fastening clips that conceal all fittings and wall anchors.

The Easy Rail picture hanging system is compatible with a wide variety of our hangers and hooks that make adjustment both horizontally and vertically easy, effortless and without damage to walls. Nails and unwanted holes will be a thing of the past when using Easy Rail.

Installation

The Easy Rail mounts to the walls with the use of Screws and Anchors.

1. To hang items using the Easy Rail, you must select your hanger preference
 - Cobra Cable
 - Ball-End Cable
2. After you have selected your hanger option you must then select your hook preference
 - Cable Hook for Stainless Steel and Nylon Cable
 - Spring Hook for Nylon Cable

Hanger Compatibility

- Cobra Cable – Nylon / 13 lbs
- Cobra Cable – Stainless Steel / 26 lbs
- Ball-End Cable Stainless Steel / 45 lbs



Easy Rail

Wall-Mounted

Easy Rails are Picture Hanging Systems that are optimized for home, office or anywhere else. In order to put your system together you will need to choose your finish options, then your hanger options and finally your hook style. Once you have the core of your system selected, you can pick accessories or installation hardware.

Silver Satin Anodized	AT100-A
Black Satin Anodized	AT100-B
White Painted	AT100-W
180 Colors Finishes*	AT100-C
Natural Mill**	AT100-MF

i * RAL standard colors with fee
 ** Can have manufacturing scratches

Finishes



Silver Satin Anodized
 Item #: AT100-A



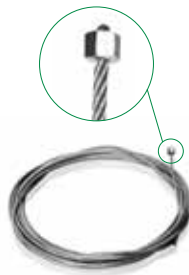
Black Satin Anodized
 Item #: AT100-B



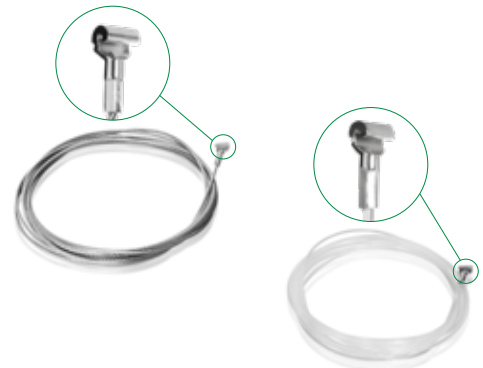
White Painted Item
 #: AT100-W

Hanging Option

Ball End Cable
 Available in
 Stainless Steel
 Item #: SSC101-**

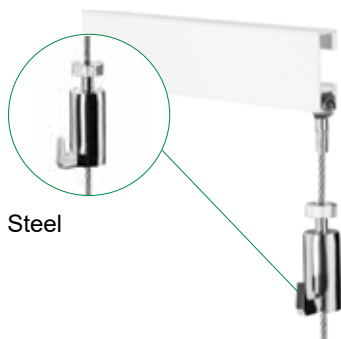


Cobra
 Available in Stainless
 Steel and Nylon
 Item #: SSC100, NC100-**

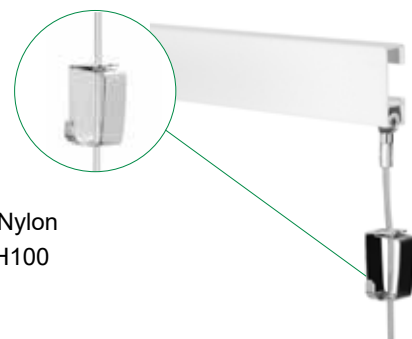


Hook Option

Hooks for Stainless Steel
 and Nylon
 Item #: H105

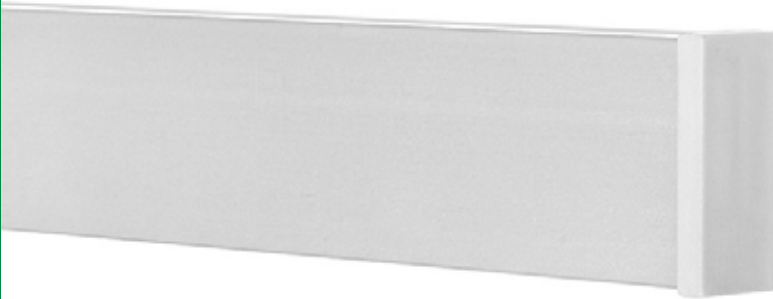


Hooks for Nylon
 Item #: SH100



Easy Rail

Wall-Mounted



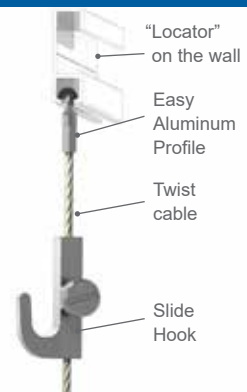
Silver Satin Anodized	AT100-A
Black Satin Anodized	AT100-B
White Painted	AT100-W
180 Colors Finishes*	AT100-C
Natural Milled**	AT100-MF
Easy Rail System Locator Kit (Drywall)	CTL150
Easy Rail System Locator Kit (Concrete)	CTL160

i * RAL standard colors with fee
 ** Can have manufacturing scratches

Choose Your Finish



Assembly Instructions



1. Mark your installation location and install 6 Locators, each 12 inches apart. If you use multiple rails end-to-end, use a Connector to install them flush.

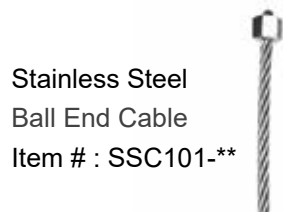
2. After your hardware is installed on the wall, line up the top of the rail with the top of the Locators, then push the bottom down until it eases into place.

3. Finally, attach your cable to the rail and your hook to the cable and you have a beautiful picture hanging system ready to go!

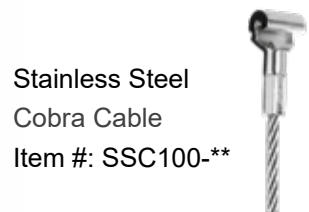
Easy Rail

Wall-Cable and Hooks

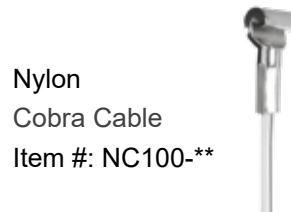
Cross Compatible with



Stainless Steel
Ball End Cable
Item # : SSC101-**



Stainless Steel
Cobra Cable
Item #: SSC100-**



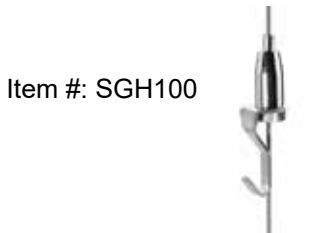
Nylon
Cobra Cable
Item #: NC100-**



Nylon
Cobra Cable
Item #: NC100-**



Item #: H103



Item #: SGH100



Item #: H100



Item #: SH100



Item #: H104



Item #: GH0012



Item #: H101



Item #: H105



Item #: GH0014



Item #: GH0013



Item #: GH0015

Classic Rail

Wall-Mounted



The Classic Rail picture hanging system is compatible with a wide variety of our hangers and hooks that make adjusting both horizontally and vertically easy, effortless and without damage to walls. Nails and unwanted holes will be a thing of the past when using Easy Rail.

Installation

Classic Rail, Picture Hanging System mounts to the wall with the use of (8) No. 6 Screws and Anchors.

1. To hang items using the Classic Rail, you must select your hanger preference

- Rod "P" or Cable "P" hook cable

2. After you have selected your hanger option you must then select your hook preference

- Cable Hook for Stainless Steel and Nylon Cable
- Spring Hook for Nylon Cable

Hanger Compatibility

- Cable "P" hook
- Stainless Steel - 26lbs
- Nylon - 26lbs

Application: Wall-Mounted

Material: Aluminum

Available Length: 72"

Rail Height: 1"

Available Colors: Silver
Satin Anodized, Black Satin
Anodized, White Painted & 180
Colors Powder Coated

Rated Rail Weight: 75 lb / 35 kg
(When Properly Installed)

Note: This rail comes with 8 Pre-drilled holes.



Classic Rail

Wall-Mounted, Cable, Rod and Hooks

Classic Rails are Picture Hanging Systems that are optimized for galleries, museums, etc. In order to put your system together you will need to choose your finish options, then your hanger options and finally your hook style. Once you have the core of your system selected, you can select the installation hardware.

Silver Satin Anodized	AT101-A
Black Satin Anodized	AT101-B
White Painted	AT101-W
180 Colors Finishes*	AT101-C
Natural Milled**	AT101-MF

i * RAL standard colors with fee
 ** Can have manufacturing scratches

Finishes



Silver Satin Anodized
 Item #: AT101-A



Black Satin Anodized
 Item #: AT101-B

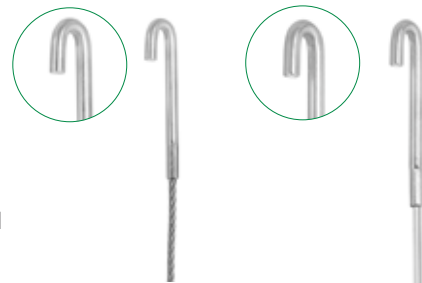


White Painted
 Item #: AT101-W

Hanging Option

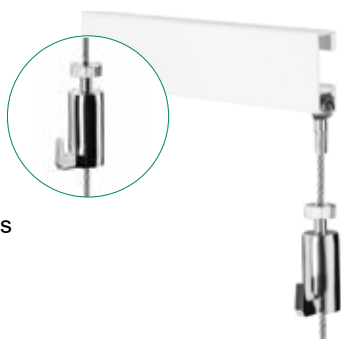


"P" Hook Rod
 Item #: CR100P

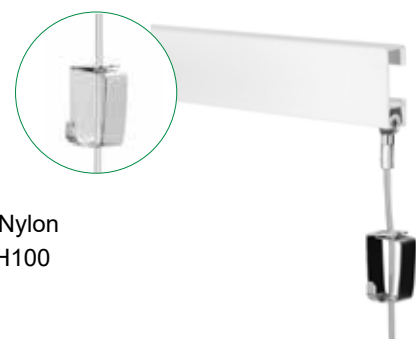


"P" Hook cable
 Item #: SSC104**
 Item #: NC104**
 Available in
 Stainless Steel and
 Nylon

Hook Option



Hooks for Stainless
 Steel and Nylon
 Item #: H105



Hooks for Nylon
 Item #: SH100




Classic Rail

Wall-Mounted



Silver Satin Anodized	AT101-A
Black Satin Anodized	AT101-B
White Painted	AT101-W
180 Colors Finishes*	AT101-C
Natural Milled**	AT101-MF

 * RAL standard colors with fee
** Can have manufacturing scratches

Choose Your Finish



Silver Satin Anodized
Item #: AT101-A



Black Anodized
Item #: AT101-B



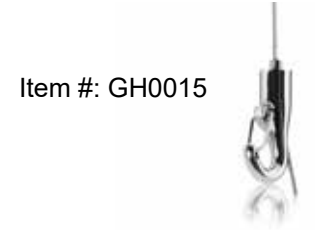
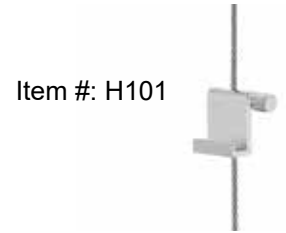
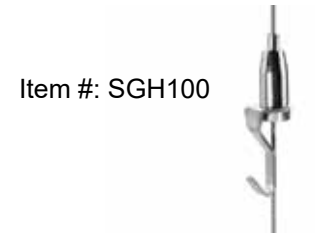
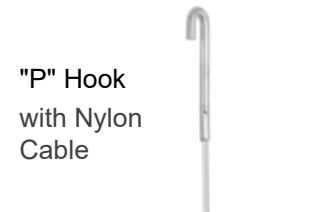
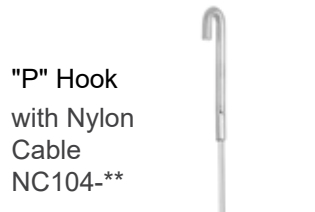
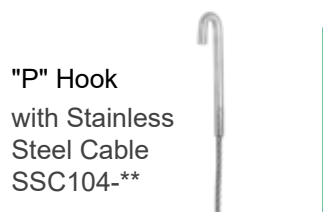
White Painted
Item #: AT101-W



Classic Rail

Cable and Hooks

Cross Compatible with



Ceiling Rail

Ceiling Mount



The Ceiling Rail picture hanging system is compatible with a wide variety of our hangers and hooks that make adjusting both horizontally and vertically easy, effortless and without damage to walls. Nails and unwanted holes will be a thing of the past when using Ceiling Rail.

Installation

Ceiling Rails, Picture Hanging Systems mounts to the wall with the use of (8) No. 6 Screws and Anchors.

1. To hang items using the Ceiling Rail, you must select your hanger preference
 - Cable "P"
2. After you have selected your hanger option you must then select your hook preference
 - Cable Hook for Stainless Steel and Nylon Cable
 - Spring Hook for Nylon Cable

Hanger Compatibility

- Cobra Cable - Nylon / 13 lbs
- Cobra Cable - Stainless Steel / 26 lbs
- Ball-End Cable Stainless Steel / 45 lbs

Application: Wall-Mounted
Material: Aluminum
Available Length: (72")
Rail Height: (1")
Available Colors: Silver Satin Anodized, Black Satin Anodized, White Painted & 180 Colors Powder Coated
Rated Rail Weight: 75 lb / 35 kg (When Properly Installed)

Note: This rail comes with 8 Pre-drilled holes.



Ceiling Rail

Cable, Rod and Hooks

Ceiling Rails are Picture Hanging Systems that are optimized for home or office usage. In order to put your system together you will need to choose your finish hanger, then your hanging options and finally your hook options. Once you have the core of your system selected, you can select the installation hardware.

Silver Satin Anodized	AT102-A
Black Satin Anodized	AT102-B
White Painted	AT102-W
180 Colors Finishes*	AT102-C
Natural Milled**	AT102-MF

i * RAL standard colors with fee
 ** Can have manufacturing scratches

Finishes



Silver Satin Anodized
 Item #: AT102-A



Black Satin Anodized
 Item #: AT102-B

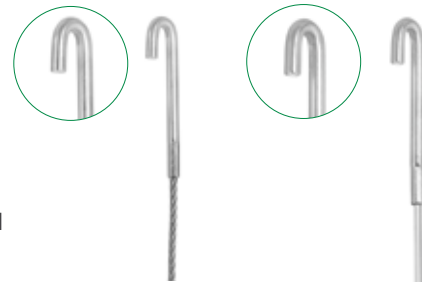


White Painted
 Item #: AT102-W

Hanging Option

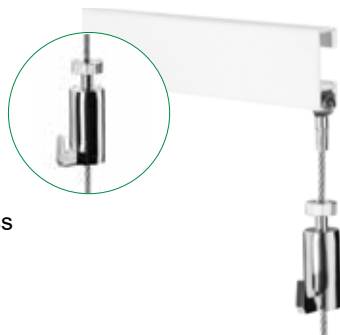


"P" Hook Rod
 Item #: CR100P



"P" Hook cable
 Item #: SSC104
 Item #: NC104
 Available in
 Stainless Steel and
 Nylon

Hook Option



Hooks for Stainless
 Steel and Nylon
 Item #: H105



Hooks for Nylon
 Item #: SH100

Ceiling Rail

Ceiling Mount



Silver Satin Anodized	AT102-A
Black Satin Anodized	AT102-B
White Painted	AT102-W
180 Colors Finishes*	AT102-C
Natural Mill**	AT102-MF



* RAL standard colors with fee

** Can have manufacturing scratches

Choose Your Finish



Silver Satin Anodized
Item #: AT102-A



Black Anodized
Item #: AT102-B



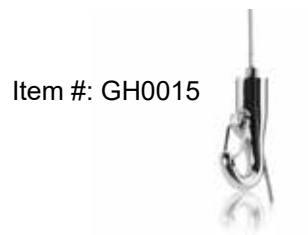
White Painted
Item #: AT102-W



Ceiling Rail

Cable and Hooks

Cross Compatible with



Items List



Ball End

Stainless Steel
 Diameter: 1/16"
 Rated Strength: 45 Lbs (20 Kg)
 For: Easy Rail

Length	Item #
48"	SSC101-48
60"	SSC101-60
72"	SSC101-72
96"	SSC101-96
120"	SSC101-120



Cobra

Stainless Steel
 Diameter: 1/16"
 Rated Strength: 45 Lbs (20 Kg)
 For: Easy Rail

Length	Item #
48"	SSC100-48
72"	SSC100-72
96"	SSC100-96
120"	SSC100-120



Cobra

Nylon
 Diameter: 1/16"
 Rated Strength: 15 Lbs (6 Kg)
 For: Easy Rail

Length	Item #
48"	NC100-48
72"	NC100-72
96"	NC100-96
120"	NC100-120



"P"

Stainless Steel
 Diameter: 1/16"
 Rated Strength: 45 Lbs (20 Kg)
 For: Classic Rail, Ceiling Rail

Length	Item #
48"	SSC104-48
72"	SSC104-72
96"	SSC104-96
120"	SSC104-120



"P"

Nylon
 Diameter: 1/16"
 Rated Strength: 15 Lbs (6 Kg)
 For: Classic Rail, Ceiling Rail

Length	Item #
48"	NC104-48
72"	NC104-72
96"	NC104-96
120"	NC104-120

"P" Aluminum | Square: 3/16" | Rated Strength 70 Lbs (31kg) | For: Classic Rail, Ceiling Rail

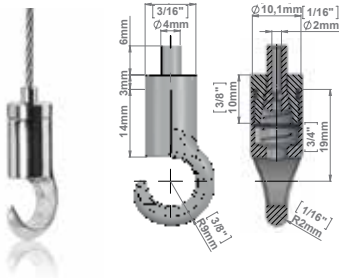


Length	White	Black Anodized	Clear Anodized	Natural Finish	180 Color Finishes*
24"	CRP100-24W	CR100P-24B	CR100P-24A	CR100P-24MF	CR100P-24C
48"	CR100P-48W	CR100P-48B	CR100P-48A	CR100P-48MF	CR100P-48C
72"	CR100P-72W	CR100P-72B	CR100P-72A	CR100P-72MF	CR100P-72C
96"	CR100P-96W	CR100P-96B	CR100P-96A	CR100P-96MF	CR100P-96C

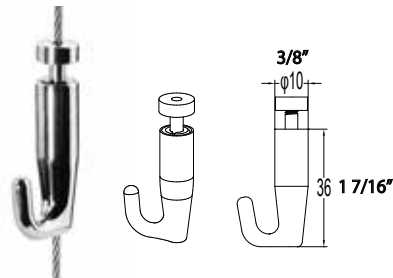
* Hand Packing Fee applied

Hooks for Stainless Steel and Nylon Cable

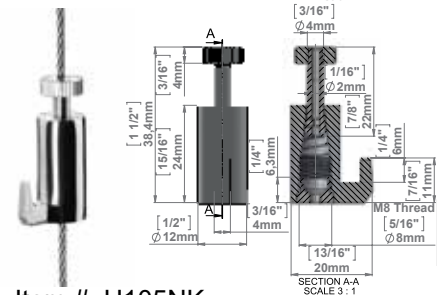
Brass – Nickel plating



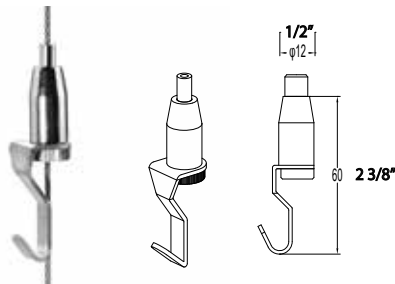
Item #: H103NK



Item #: H104NK



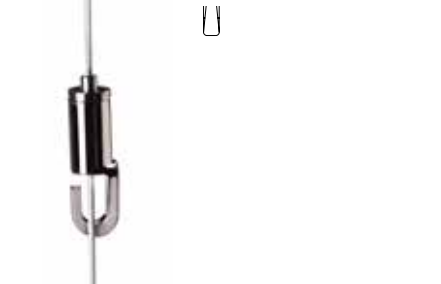
Item #: H105NK



Item #: SGH100



Item #: GH0012



Item #: GH0013



Item #: GH0014



Item #: GH0015



Item #: SH100

Finish	Use	Diameter	Strength	Use	Item #
Nickel	Ball End, Cobra Cable, "P" Hook Cable	3/64" to 1/16"	15 lbs (6 kg)	Easy Rail, Classic Rail Ceiling Rail	H103-NK
Nickel	Ball End, Cobra Cable, "P" Hook Cable	3/64" to 1/16"	15 lbs (6 kg)	Easy Rail, Classic Rail Ceiling Rail	H104-NK
Nickel	Ball End, Cobra Cable, "P" Hook Cable	3/64" to 1/16"	15 lbs (6 kg)	Easy Rail, Classic Rail Ceiling Rail	H105-NK
Nickel	Ball End, Cobra Cable, "P" Hook Cable	3/64" to 1/16"	15 lbs (6 kg)	Easy Rail, Classic Rail Ceiling Rail	SGH100
Nickel	Ball End, Cobra Cable, "P" Hook Cable	3/64" to 1/16"	15 lbs (6 kg)	Easy Rail, Classic Rail Ceiling Rail	GH0012
Nickel	Ball End, Cobra Cable, "P" Hook Cable	3/64" to 1/16"	15 lbs (6 kg)	Easy Rail, Classic Rail Ceiling Rail	GH0013
Nickel	Ball End, Cobra Cable, "P" Hook Cable	3/64" to 1/16"	15 lbs (6 kg)	Easy Rail, Classic Rail Ceiling Rail	GH0014
Nickel	Ball End, Cobra Cable, "P" Hook Cable	3/64" to 1/16"	15 lbs (6 kg)	Easy Rail, Classic Rail Ceiling Rail	GH0015
Chrome	Smart Spring	0.06" to 0.08"	15 lbs (6 kg)	Easy Rail, Classic Rail Ceiling Rail	SH100

Hooks for Stainless Steel and Nylon Cable

Screw Gripping

Brass

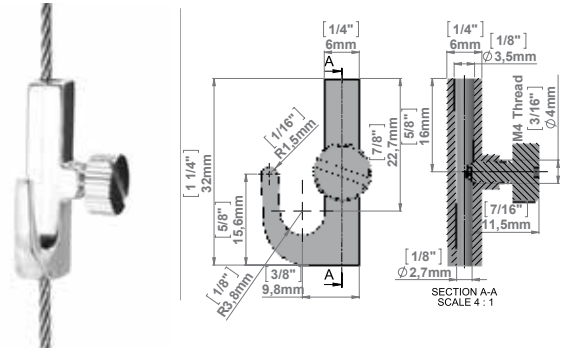
Finish: Nickel plating

For use with: Ball End, Cobra Cable, "P" Hook Cable

For cable diameter: 3/64" to 1/16"

Rated strength: 15 lbs (6 kg)

For: Classic Rail, Ceiling Rail



Nickel Plating

Item # H100NK

Screw Gripping

Aluminum

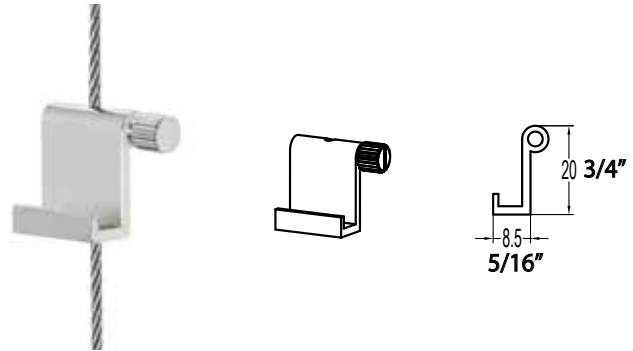
Finish: Nickel plating

For use with: Ball End, Cobra Cable, "P" Hook Cable

For cable diameter: 3/64" to 1/16"

Rated strength: 15 lbs (6 kg)

For: Classic Rail, Ceiling Rail



Nickel Plating

Item # H101NK

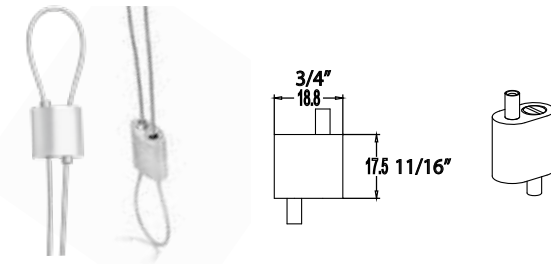
Looper for Nylon Cable

Locking Looper – Aluminum

Finish: Clear Anodized

For cable diameter: 1/16"

Rated strength: 15 lbs (6 kg)



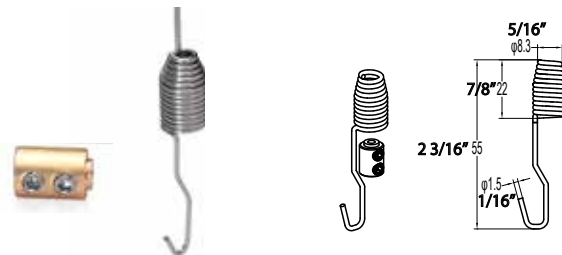
Clear Anodized

Item # DG005

Cable Tensioner

Spring

Application: Cable tensioner



Brass

Item # TSS100

Looped Cables

Nylon

NHC-48

NHC-72

NHC-96

NHC-120



Stainless Steel

SHC-48

SHC-72

SHC-96

SHC-120



Hooks for Stainless Steel and Nylon Cable



Connector for Easy Rail
 Finish: Raw Material
 For use with: Easy Rail
 Item #: CTC100



Locator
 Aluminum
 Finish: Nickel Plating
 For use with: Easy Rail
 Item #: CTL100

Picture Stabilizer
 Size: 6-7/8"
 Material: Steel
 Finish: Nickel Plating
 Item #: SPS100



Picture Stabilizer
 Size: 11-5/8"
 Material: Steel
 Finish: Nickel Plating
 Item #: BPS100



Item #: Cable Cutter



Steel Swan Hook
 Item #: SH102

Locator Kit (6Pcs)		Item #
	Drywall	CTL150
	Concrete	CTL160

Drop Ceiling Hangers:



T-Clamp
 Material: Aluminum
 Item #: TCLAMP



T-Clamp1
 Material: Aluminum
 Item #: TCLAMP1



T-Clamp2
 Material: Plastic
 Item #: TCLAMP2

Aluminum Snap Frames



High-Quality Aluminum Construction

- Easy Front Loading System
- Multi-Purpose Use
- Lightweight PVC Protector Included
- Thin Profile

The classic easy to use snap frame has been around for years, but still offers the best value for money on the market for easy poster change. This Aluminum frame is made to the highest industry standards, the best quality available at the lowest price. Constructed of lightweight material these frames deliver multi-functional usage and application options. Snap frames can be used as picture frame, poster frame, wall sign, artwork, wall frame, notices, door sign, office door sign, etc. Posters are kept clean behind a resistant, anti-glare PVC front sheet. The snap frame can be mounted both portrait and landscape (vertical and horizontal) and comes ready with screws and holes for wall mounting.



Easy Open/Close Frame
Quick Changing System

Frame Size	Profile	Insert Size		
			Aluminum	Black
12.5" x 18.5"	1.25"	11" x 17"	ALSF001	ALSF002
19.5" x 25.5"	1.25"	18" x 24"	ALSF003	ALSF004
23.5" x 29.5"	1.25"	22" x 28"	ALSF005	ALSF006
23.5" x 29.5"	1.00"	22" x 28"	N/A	ALSF007
25.5" x 37.5"	1.25"	24" x 36"	ALSF008	ALSF009
28.5" x 41.5"	1.25"	27" x 40"	ALSF010	ALSF011
31.5" x 41.5"	1.25"	30" x 40"	ALSF012	ALSF013
37.5" x 49.5"	1.25"	36" x 48"	ALSF014	ALSF015
41.5" x 61.5"	1.25"	40" x 60"	ALSF016	ALSF017

Hanging Banner Rails

Enjoy quick changing systems to change from one piece to another with ease

Choose From 3 Styles

Aluminum Rails with Locking Rollers



- Sturdy Aluminum
- Easy to Install
- Rollers Lock Banner in Place
- Lift to Remove, Replace and Done

Length	Part #
8.5"	AAP85
11"	AAP11
18"	AAP18
22"	AAP22
24"	AAP24
27"	AAP27
30"	AAP30
48"	AAP48
72"	AAP72

2 Piece Aluminum Snap Rails with Spring Mechanism



Great for wide papers, posters and banners. Quick changing display and elegant design. Easy open/close and reusable system

8.5"	ABR85
11"	ABR11
18"	ABR18
22"	ABR22
24"	ABR24
27"	ABR27
30"	ABR30
48"	ABR48
72"	ABR72

Clear Plastic Snap Rail



8.5"	SCP85
11"	SCP11
18"	SCP18
22"	SCP22
24"	SCP24
27"	SCP27
30"	SCP30
36"	SCP36
48"	SCP48
72"	SCP72

Daily Pickup and **1 or 2** Days Ground Shipping to Most of the States



Mbs-Standoffs & Mbs-Signsupply Headquarters
TAMPA



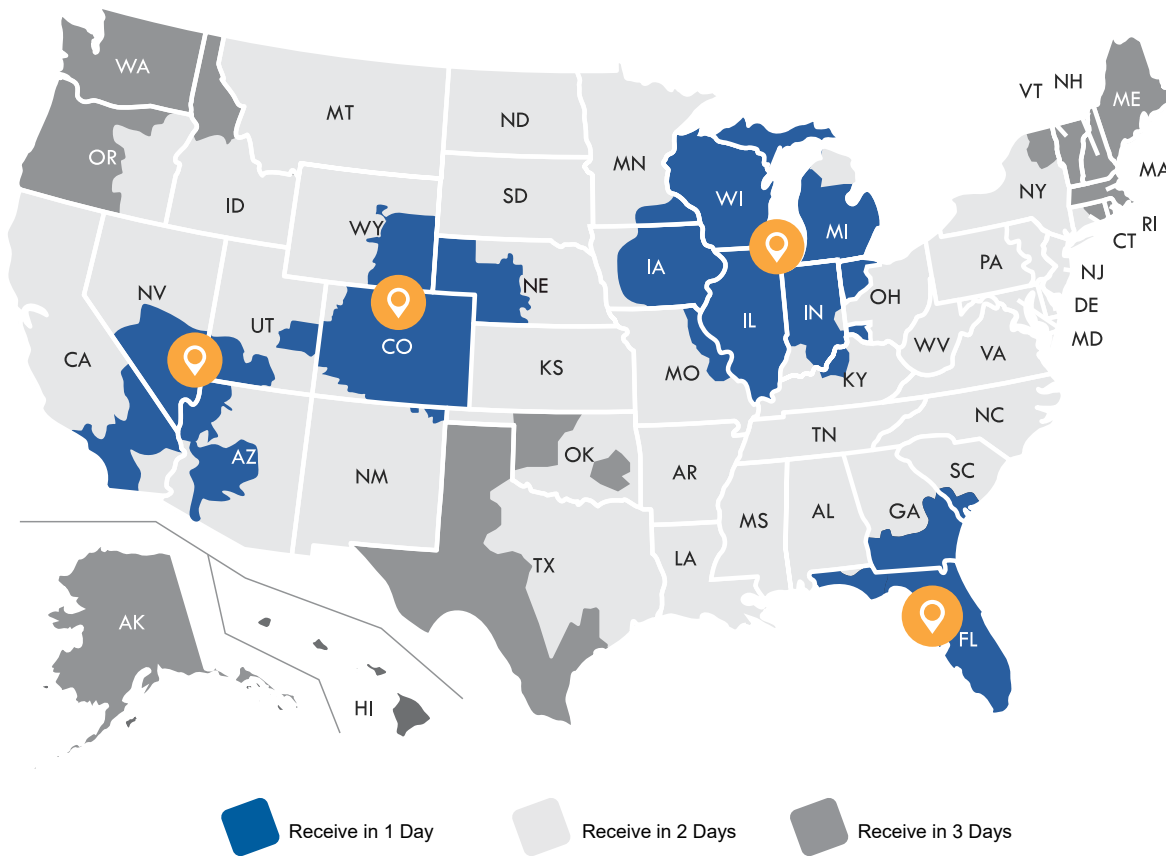
Mbs-Standoffs & Mbs-Signsupply CHICAGO



Mbs-Standoffs & Mbs-Signsupply Milano DENVER



Mbs-Standoffs & Mbs-Signsupply LAS VEGAS



HQ Address:
5046 W Linebaugh Ave.
Tampa, FL 33624
Phone: 1 (813) 938-6025

Chicago Address:
941 Enterprise Ct.
St Charles, IL 60174
Phone: 1 (917) 728-1182

Denver Address:
7084 S. Revere Pkwy.
Centennial, CO 80112
Phone: 1 (303) 935-8565

Las Vegas Address:
8375 Eastgate Rd.
Henderson, NV 89015
Phone: 1 (213) 769-4010

Phone: 1 (813) 938-6025
Fax: 1 (813) 425-9007

mbs-standoffs.com
sales@mbs-standoffs.com